



**TF**

**PISTON RINGS,  
CYLINDER LINERS  
CATALOG**

**Vol. 15**

**TPR**

# COMPANY NAME CHANGE

TEIKOKU PISTON RING CO., LTD. has changed its name to TPR CO., LTD. This will result in certain changes to the design of packages. The hologram design will also be changed.

TEIKOKU PISTON RING株式会社现已改名为TPR株式会社。因此，一部分纸箱的设计做了更改。全息图的设计也做了更改。

TEIKOKU PISTON RING CO., LTD. ha cambiado su nombre a TPR CO., LTD. Esto dará como resultado ciertos cambios en el diseño de los paquetes. También se cambiará el holograma.



## TPR CO.,LTD.

URL : <http://www.tpr.co.jp/>

# Contents

How to order TP Piston Rings .....	2
<b>PISTON RINGS .....</b>	<b>3</b>
Piston Rings Details, Identification and Location .....	4
Piston Rings Types.....	5
DAIHATSU .....	6
HINO.....	9
HONDA.....	17
ISUZU .....	22
MAZDA.....	36
MITSUBISHI .....	41
NISSAN .....	58
SUBARU .....	75
SUZUKI .....	76
TOYOTA .....	79
DAEWOO .....	95
HYUNDAI .....	97
KIA.....	100
OTHERS.....	102
<b>CYLINDER LINERS .....</b>	<b>107</b>
Liner Type Diagrams .....	108
DAIHATSU .....	110
HINO.....	110
ISUZU .....	111
MAZDA.....	112
MITSUBISHI .....	112
NISSAN .....	114
TOYOTA .....	116
<b>NUMERICAL LISTING .....</b>	<b>117</b>

# How to order TP Piston Rings

When ordering, please be sure to state the following : Our Set Number, Size, Type and Quantity.

---

## TYPE

---

**T:** all rings iron-phosphate coated.

**TC:** top compression rings chrome plated, others iron-phosphate coated.

**PS:** top compression rings and upper oil control rings chrome plated, others iron-phosphate coated.

**3PS:** top, 2nd compression rings and upper oil control rings chrome plated, others iron-phosphate coated.

**AC:** all rings chrome plated or nitrided.

**DW:** top compression rings side face chrome plated upper oil rings chrome plated with coil expander, others iron-phosphate coated.

**3F:** top compression and multi-piece steel oil control rings chrome plated or nitrided, others iron-phosphate coated.

**2F:** top compression and upper oil control rings chrome plated or nitrided, upper oil control rings with coil expander, others iron-phosphate coated.

**BC:** top compression rings side chrome plated.

**X:** upper oil control rings with hump type expander.

3F types is mainly for gasoline engines.

2F types is mainly for diesel engines.

“K” after width indicates full keystone rings.

“HK” after width indicates half keystone rings.

---

## OVER SIZE

---

TP PISTON RING SETS are available in standard (STD) size and the following oversizes.

inch	STD	.010	.020	.030	.040
mm	STD	0.25	0.50	0.75	1.00

---

## EXAMPLE

---

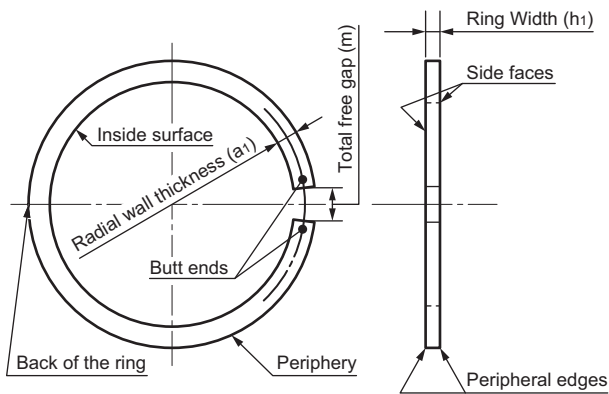
Our Set No.	Type	Size	Quantity	Remarks
35825	3F	STD	500 sets	
32208	PS	020	750 sets	

- TP PISTON RING SET other than for Japanese cars are also available to supply.

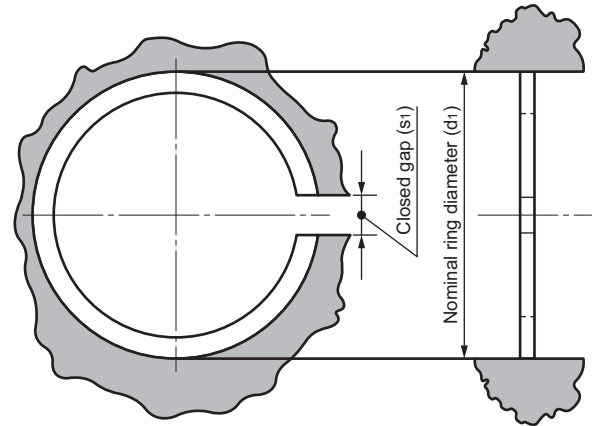
# **PISTON RINGS**

# Piston Rings Details, Identification and Location

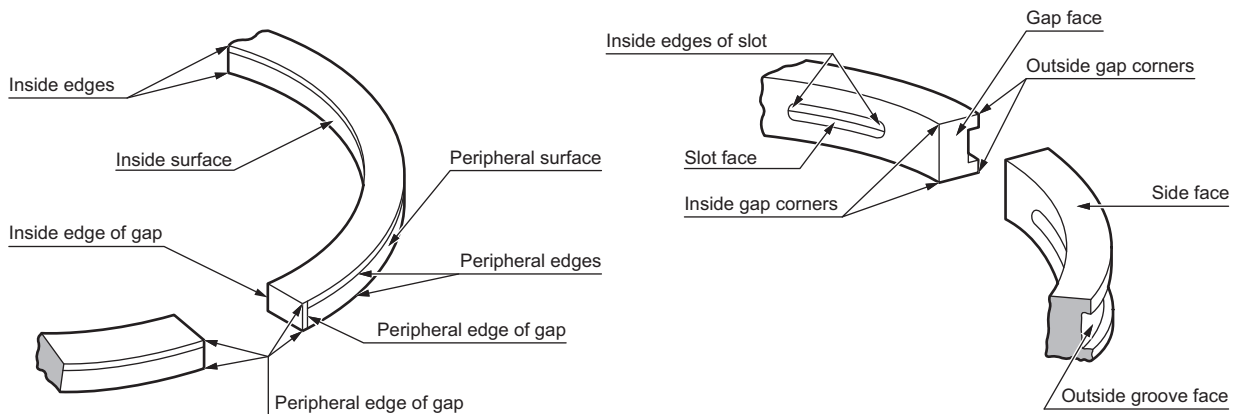
Nomenclature and symbols under free state



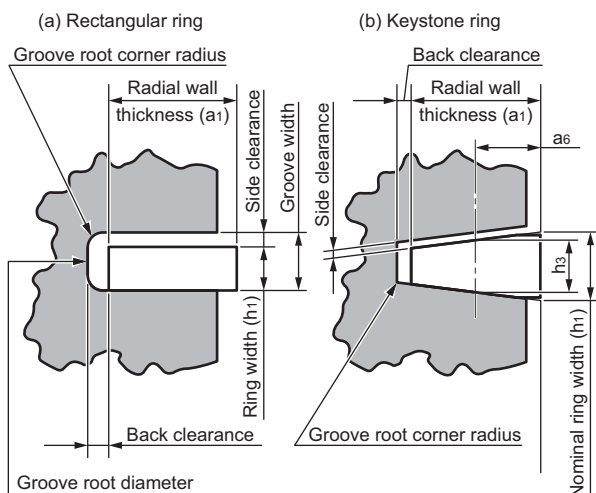
Nomenclature and symbols under mounted state



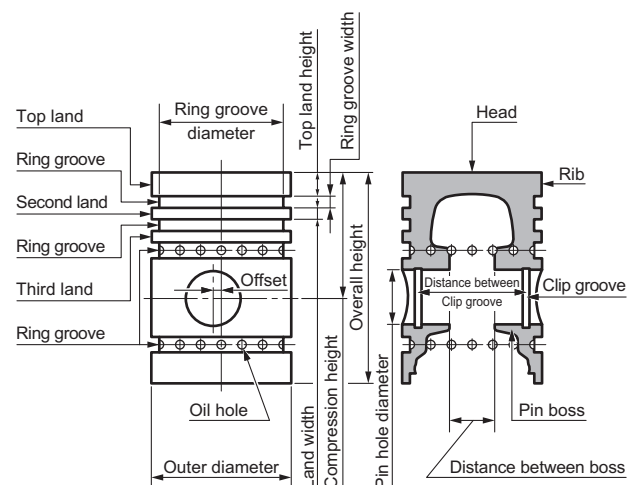
Nomenclature of edges, inside and peripheral surfaces and side face



Nomenclature and symbols relating to ring cross-section and groove width



Nomenclature of parts (Piston)



# Piston Rings Types

## (1) Cross-section configurations

Rectangular ring	
Keystone ring	
Half keystone ring	
Scraper ring (stepped)	
Napier ring (under-cut stepped)	
Slotted oil control ring	
Bevelled-edge oil control ring	
Double-bevelled oil control ring	
Coil spring loaded oil control ring	
Coil spring loaded Bevelled-edge oil control ring	
Coil spring loaded double Bevelled-edge oil control ring	
Expander / segment oil control ring	

## (2) Face configurations

Straight-faced	
Barrel-faced	
Taper-faced	

## (3) Edge configurations

Internal bevel top (positive twist type)	
Internal step top (positive twist type)	
Internal bevel bottom (negative twist type)	
Internal step bottom (negative twist type)	
Inside edges chamfered	
Outside edges chamfered	
Inside and outside edges chamfered	

## (4) Coating configurations

Uncoated	
Coated fully faced	
Coated semi-inlaid	
Coated inlaid	

## (5) Joint configurations

Joint (straight)	
Oblique joint (angle)	
Stepped joint (angle)	
Joint with side notch	
Joint with internal notch	

TP No.	Type	Engine Model	Vehicle Chassis	Model	CC	No. Cyl.	Position	Size (mm) d1 × h1 × a1	Reference	
31057	3F	JB-J				4	T	61.0 × 1.2 × 2.3	13011-87231	
							2	61.0 × 1.2 × 2.5		
							O	61.0 × 2.0 × 2.45		
31016	TC	L38 S38	Fellow MAX L38,L38S		356	2	T	62.0 × 2.0 × 2.8	HK	13011-87204
							2	62.0 × 2.0 × 2.8		13011-87205
							3	62.0 × 2.0 × 2.8		13011-87501
31033	3F	EB	Mira		547	3	T	62.0 × 1.2 × 2.5		13011-87206
							2	62.0 × 1.5 × 2.5		13011-87222
							O	62.0 × 2.8 × 2.6		
31062	3F	KF-VE	Mira Esse		658	3	T	63.0 × 1.0 × 2.3		13011-B2020
							2	63.0 × 1.2 × 2.3		
							O	63.0 × 2.0 × 2.25		
31040	3F	ED	Mira Charade,Hi-jet		850	3	T	66.6 × 1.2 × 2.55		13011-87208
							2	66.6 × 1.5 × 2.85		13011-87232
							O	66.6 × 2.8 × 2.6		
31050	3F	ED(NEW)	Charade		850	3	T	66.6 × 1.2 × 2.3		13011-97209
							2	66.6 × 1.2 × 2.6		
							O	66.6 × 2.0 × 2.25		
31041	3F	EF	KANCIL		660	3	T	68.0 × 1.2 × 2.55		13011-87218
							2	68.0 × 1.5 × 2.7		
							O	68.0 × 2.8 × 2.5		
31053	3F	EF	Mira		659	3	T	68.0 × 1.2 × 2.55		13011-97203
							2	68.0 × 1.2 × 2.7		
							O	68.0 × 2.5 × 2.5		
31027	3FBC	CD	G20L		850	3	T	70.0 × 1.5 × 3.0		13011-87712
							2	70.0 × 1.5 × 3.0		
							O	70.0 × 2.8 × 2.85		
31056	2F	1KR-FE J1KR	Vitz, PASSO, BOON		996	3	T	71.0 × 1.0 × 2.3		13011-40030A
							2	71.0 × 1.0 × 2.3		13011-40050
							O	71.0 × 1.5 × 2.05		13011-40051
										13011-40052
31024	3F	L40 AB10 AB20 AB30	Fellow MAX L40, Cuore L55,SS11 Mira Cuore Wide Cab S60 Hi-jet Atrai Fronte		547	2	T	71.6 × 1.5 × 3.0		13011-87709
							2	71.6 × 1.5 × 3.0		13011-87710
							O	71.6 × 2.8 × 2.75		13011-87714
										13011-87701
										13011-87702
31051	3F	D02X	XENIA		1,300	4	T	72.0 × 1.2 × 2.3		13011-BZ010-B
							2	72.0 × 1.2 × 2.6		
							O	72.0 × 2.0 × 2.25		
						1cyl/set				



TP No.	Type	Engine Model	Vehicle Chassis	Model	CC	No. Cyl.	Position	Size (mm) d1 × h1 × a1	Reference
31052	3F	D02X	XENIA		1,300	4	T	72.0 × 1.2 × 2.3	13011-BZ010-B
							2	72.0 × 1.2 × 2.6	
							O	72.0 × 2.0 × 2.25	
31048	3F	EJ	Storia,M100s,M110s		989	3	T	72.0 × 1.2 × 2.6	13011-97201
							2	72.0 × 1.2 × 2.9	13011-97210
							O	72.0 × 2.5 × 2.6	
31059	3F	EJDE	Sirion Storia		1,000	3	T	72.0 × 1.2 × 2.57	13011-97202
							2	72.0 × 1.2 × 2.9	
							O	72.0 × 2.5 × 2.6	
31061	3F	EJ-VE				3	T	72.0 × 1.2 × 2.5	13011-BZ020-B
							2	72.0 × 1.2 × 2.3	
							O	72.0 × 2.0 × 2.25	
31049	3F	K3	Storia,Hi-jet,Terios		1,300	4	T	72.0 × 1.2 × 2.6	13011-97401
							2	72.0 × 1.2 × 2.6	13011-97404
							O	72.0 × 2.0 × 2.25	13013-B1010
31060	2F	2SZ	Vitz, Belta, Ractis		1,296	4	T	72.0 × 1.0 × 2.3	13011-23070
							2	72.0 × 1.0 × 2.3	13011-23073
							O	72.0 × 1.5 × 2.05	
31055	3F	3SZ-VE	XENIA(DAIHATSU) AVANZA(TOYOTA)		1,500	4	T	72.0 × 1.2 × 2.5	13011-BZ110
							2	72.0 × 1.2 × 2.3	13011-BZ1040
							O	72.0 × 2.0 × 2.25	13011-B1020
31028	3F	CB10	Charade G10		993	3	T	76.0 × 1.5 × 3.2	13011-87703
							2	76.0 × 1.5 × 3.1	13011-87704
							O	76.0 × 2.8 × 2.75	13011-87708
31038	3FBC	CB20 CB50	Charade G10 TURBO		993	3	T	76.0 × 1.5 × 3.2	13011-87718
							2	76.0 × 1.5 × 3.1	
							O	76.0 × 2.8 × 2.9	
31037	3FAC	CB90 S88	Charade		1,000	3	T	76.0 × 1.5 × 2.95	13011-87727
							2	76.0 × 1.5 × 3.1	
							O	76.0 × 2.8 × 2.6	
31035	3F	HC	Charade G102S,G112S		1,295	4	T	76.0 × 1.2 × 2.9	13011-87105
							2	76.0 × 1.5 × 3.1	13011-87108
							O	76.0 × 3.0 × 2.8	
31036	3F	HD	Feroza Charade		1,589	4	T	76.0 × 1.2 × 2.75	13011-87107
							2	76.0 × 1.5 × 3.1	13011-87106
							O	76.0 × 3.0 × 2.8	13011-87109
									13011-87110
								13011-87111	
31045	3F	HD(NEW)	Applause,Pyzar,A101s		1,589	4	T	76.0 × 1.2 × 2.75	13011-87112
							2	76.0 × 1.5 × 3.2	
							O	76.0 × 3.0 × 2.5	
31031	2FACBC	CL CL10	Charade Diesel/G30		993	3	T	76.0 × 2.0 × 3.2	HK 13011-87717
							2	76.0 × 1.5 × 3.1	13011-87723A
							O	76.0 × 3.0 × 3.55	

TP No.	Type	Engine Model	Vehicle Chassis	Model	CC	No. Cyl.	Position	Size (mm) d1 × h1 × a1	Reference
31043	2FAC	CL(NEW)	Charade(Diesel)		1,000	3	T	76.0 × 2.0 × 2.95	HK 13011-87721
							2	76.0 × 1.5 × 3.1	
							O	76.0 × 3.0 × 3.55	
31022	2F	DG(OLD)	Truck DV26,SV37		2,530	4	T	88.0 × 2.0 × 3.8	992-5113-1410-00
							2	88.0 × 2.0 × 3.8	
							3	88.0 × 2.0 × 3.5	
							O	88.0 × 4.0 × 3.7	
							O	88.0 × 4.0 × 3.8	
31026	DW	DG(NEW)	Delta,Light Bus, V20,21,22,23,24,26		2,530	4	T	88.0 × 2.5 × 3.8	13011-87305
							2	88.0 × 2.0 × 3.8	13011-87306
							O	88.0 × 4.0 × 4.1	13011-87307
									13011-87308
31030	2FACBC	DL	Taft 4 Wheel-DriveF50, HU25,Taft Delta		2,765	4	T	92.0 × 2.5 × 3.8	13011-87310
							2	92.0 × 2.0 × 3.8	13011-87311
							O	92.0 × 4.0 × 4.25	13011-87312
									13011-87313
31032	2FAC	DL-T F70V	Taft Delta		2,765	4	T	92.0 × 2.5 × 3.8	HK 13011-87314A
							2	92.0 × 2.0 × 3.8	13011-87317
							O	92.0 × 4.0 × 4.25	
31046	2FAC	DL-2	Taft Delta		2,765	4	T	92.0 × 2.5 × 3.6	13011-87321
							2	92.0 × 2.0 × 3.8	
							O	92.0 × 4.0 × 4.25	

№ No.	Type	Engine Model	Vehicle Chassis	Model	CC	No. Cyl.	Position	Size (mm) d1 × h1 × a1	Reference
32211	PS	DM100	Truck		4,313	6	T	90.0 × 2.5 × 3.7	3352-193901
			KM300,310,320,330				2	90.0 × 2.5 × 3.7	3352-120507
			340,350,410,450				3	90.0 × 2.5 × 3.7	13011-1350A
			Bus				O	90.0 × 4.0 × 3.7	
			BM320,RM100				O	90.0 × 4.0 × 3.7	
			Tractor						
HM300,HM301									
32203	PS	DQ100	Truck		4,507	6	T	92.0 × 2.5 × 3.9	13011-1360A
			KM500,510,520D,540				2	92.0 × 2.5 × 3.9	
		DQ92	KL501,521D,541,561				3	92.0 × 2.5 × 3.9	
			KQ500,520D,540,560				O	92.0 × 4.0 × 3.9	
							O	92.0 × 4.0 × 3.9	
32204	PS	EC100	Truck		5,010	6	T	97.0 × 2.5 × 4.2	13011-1400
			KL300,321,340,360,387				2	97.0 × 2.5 × 4.3	13011-1390
			340K,360K,WB310				3	97.0 × 2.5 × 4.3	13019-1140A(cyl)
			Bus				O	97.0 × 4.0 × 4.3	
			RL100,AM100,200				O	97.0 × 4.0 × 4.3	
			Tractor						
HL300,KJ300									
32258	2F	N04,W04D	Ranger		4,009	4	T	104.0 × 2.5 × 3.75	13011-78060
			Dutro				2	104.0 × 2.0 × 4.3	
			Liesse				O	104.0 × 4.0 × 4.3	
32296	2F	N04C/W04D				4	T	104.0 × 2.806 × 3.7 K	13011-78220
							2	104.0 × 2.0 × 4.3	
							O	104.0 × 4.0 × 4.3	
32277	2FAC	W04C-T	Bus		3,839	4	T	104.0 × 2.806 × 4.1 K	S1304-E0240
			Rainbow				2	104.0 × 2.5 × 4.3	13011-2270A
			RB145				O	104.0 × 5.0 × 4.55	13011-2270C
									13011-2550B
					1cyl/set			13019-1160A(cyl)	
32286	2FAC	W04C-TI	Rainbow		3,839	4	T	104.0 × 2.806 × 4.1 K	S1304-E170
							2	104.0 × 2.5 × 4.3	13011-2891A
							O	104.0 × 4.0 × 4.55	13019-1180A(cyl)
					1cyl/set				
32235	2F	W04D	Ranger KM,FB112		4,009	4	T	104.0 × 2.5 × 4.3	13011-1973
							2	104.0 × 2.0 × 4.3	13011-2540
							O	104.0 × 5.0 × 5.1	
32287	2F	W04D-J	Dutro		4,009	4	T	104.0 × 2.5 × 3.75	S1304-E0060
			Ranger				2	104.0 × 2.0 × 4.3	13011-3950A
			Liesse				O	104.0 × 4.0 × 4.2	13019-1190A(cyl)
					1cyl/set				

TF No.	Type	Engine Model	Vehicle Chassis	Model	CC	No. Cyl.	Position	Size (mm) d1 × h1 × a1	Reference
32236	2F	W06D	Rainbow AC,FC142		5,759	6	T	104.0 × 2.5 × 4.3	13011-1983
							2	104.0 × 2.0 × 4.3	13011-2420
							O	104.0 × 5.0 × 5.1	13011-2440
32273	2F	W04D	Ranger KM,FB112		4,009	4	T	104.0 × 2.5 × 4.3	13011-1973
							2	104.0 × 2.0 × 4.3	13011-2540
		W06D	HE526,HH541,TC562,WP330		5,759	6	O	104.0 × 5.0 × 5.1	13011-1983
									13011-2420
									13011-2440
				1cyl/set					
32201	PS	DS70	Truck		7,014	6	T	105.0 × 3.0 × 4.2	13011-1210
			TE11,61,100,KL300,KL320				2	105.0 × 3.0 × 4.2	13011-1550A
		DS90	Bus				3	105.0 × 3.0 × 4.2	
			RD100,120,BK11,BT10,30				O	105.0 × 4.5 × 4.2	
			Tractor				O	105.0 × 4.5 × 4.2	
TE100D,TE100,120									
32222	PSBC	EH100	Truck		5,871	6	T	105.0 × 2.5 × 4.3	13011-1150
			BH15,KL500,520,540				2	105.0 × 2.5 × 4.3	13011-1410
			560,580,600,620,640				3	105.0 × 2.5 × 4.3	
			KR320,360,WB311,321				O	105.0 × 4.0 × 4.3	
			Bus				O	105.0 × 4.0 × 4.3	
			BX320,AM101						
Tractor									
HL100,KJ500,KU500									
KR300,350,KV580,590									
32206	2F3PS	EH300	Truck		6,211	6	T	108.0 × 3.0 × 4.5	13011-1032A
			KR301,321,361,KL501				2	108.0 × 2.5 × 4.5	13011-1062
			KJ501,KU580				O	108.0 × 5.0 × 3.1	
			Bus				O	108.0 × 4.0 × 4.85	
RD300,RL300,320									
32255	2FAC	H06C-T	Ranger		6,485	6	T	108.0 × 2.806 × 4.5 K	13011-3520
							2	108.0 × 2.0 × 4.5	
							3	108.0 × 2.0 × 4.5	
							O	108.0 × 4.0 × 4.25	
32237	2F	H06C-TA	Ranger FD		6,485	6	T	108.0 × 2.806 × 4.5 K	13011-1961
							2	108.0 × 2.5 × 4.5	
							3	108.0 × 2.5 × 4.5	
							O	108.0 × 5.0 × 4.65	
32261	2FAC	H06C-TI	Ranger		6,485	6	T	108.0 × 2.806 × 4.5 K	13011-3281A
							2	108.0 × 2.5 × 4.5	
							3	108.0 × 2.5 × 4.5	
							O	108.0 × 4.0 × 4.25	

TP No.	Type	Engine Model	Vehicle Chassis	Model	CC	No. Cyl.	Position	Size (mm) d1 × h1 × a1	Reference
32202	PS	DS50 DS60 DS80	Truck		7,982	6	T	110.0 × 3.0 × 4.5	13011-1230
			TA14,14D,TC51				2	110.0 × 3.0 × 4.5	13011-1250
			TH17,61,80,320,340D				3	110.0 × 3.0 × 4.5	13011-1261
			ZC34D,44D,ZH12D				O	110.0 × 4.5 × 3.5	13011-1650
			Bus				O	110.0 × 4.5 × 4.5	13011-1680
			BD15,15P,35,35P						13011-1830
			BG13,BG13,BH15 BT51,71,100H RB10,10P,120,120P						
32239	2F3PS	EH700 H07C	Ranger FD174,175,176		6,443	6	T	110.0 × 3.0 × 4.1	13011-1610B
			Ranger 4D,5D,7D				2	110.0 × 2.5 × 4.5	13011-1620A
			Truck				3	110.0 × 2.5 × 4.5	13011-2070A
			KL525,545,555,565,585				O	110.0 × 5.0 × 4.75	13011-2090
			KR305,325,365,LB595						
			FD171,172,174,175,176						
			Bus RD300,301,RJ170,171,172 RL320						
32247	2FAC	H07C-T	Truck		6,728	6	T	110.0 × 2.81 × 3.9 K	13011-2672
			FD, FG, SD, RR				2	110.0 × 2.0 × 4.1	13011-2671
							3	110.0 × 2.5 × 4.5	
							O	110.0 × 4.0 × 4.2	
32256	2FAC	H07C-T-N	Truck		6,728	6	T	110.0 × 2.81 × 3.9 K	
			FD,FG,SD,RR				2	110.0 × 2.0 × 4.1	
							3	110.0 × 2.0 × 4.1	
							O	110.0 × 3.0 × 3.6	
32262	2FAC	H07C-T2	Ranger		6,728	6	T	110.0 × 2.81 × 3.9 K	13011-3470A
							2	110.0 × 2.0 × 4.1	13011-3510A
							3	110.0 × 2.0 × 4.1	
							O	110.0 × 4.0 × 4.2	
32254	2FAC	H07D	Ranger		7,412	6	T	110.0 × 3.0 × 4.1	13011-2651
			FD,FG,GD				2	110.0 × 2.0 × 4.1	13011-2650
							O	110.0 × 4.0 × 4.2	13011-2660
32272	2FAC	J05D-TB	Ranger		5,000	4	T	112.0 × 2.5 × 4.1	13011-E190
							2	112.0 × 2.0 × 4.1	S1304-E0150(cyl)
							O	112.0 × 4.0 × 4.1	
32297	2FAC	J05D-TB	Ranger		5,000	4	T	112.0 × 2.5 × 4.1	13011-E190
							2	112.0 × 2.0 × 4.1	S1304-E0150(cyl)
							O	112.0 × 4.0 × 4.1	
32295	2FAC	J08ET	Ranger		7,684	6	T	112.0 × 2.5 × 4.1	S1301-92080
							2	112.0 × 2.0 × 4.1	
							O	112.0 × 4.0 × 4.1	

TP No.	Type	Engine Model	Vehicle Chassis	Model	CC	No. Cyl.	Position	Size (mm) d1 × h1 × a1	Reference
32284	2FAC	YL86				4	T	112.0 × 2.94 × 4.1 K	13011-E0120
							2	112.0 × 2.0 × 4.1	S1304-E0070(cyl)
							O	112.0 × 4.0 × 4.1	
32271	2FAC	J05C	Ranger, Dutro Melpha, Liesse		5,307	4	T	114.0 × 2.5 × 4.1	13011-3880A
							2	114.0 × 2.0 × 4.1	13011-3940A
							O	114.0 × 4.0 × 4.1	13019-1010B(cyl)
									S1304-E0210 13011-3221A 13019-1370A(cyl)
32298	2FAC	J05C	Ranger, Dutro Melpha, Liesse		5,307	4	T	114.0 × 2.5 × 4.1	13011-3880A
							2	114.0 × 2.0 × 4.1	13011-3940A
							O	114.0 × 4.0 × 4.1	13019-1010B(cyl)
									S1304-E0210 13011-3221A 13019-1370A(cyl)
						1cyl/set			
32270	2FAC	J05C-3	Ranger, Dutro Melpha, Liesse		5,307	4	T	114.0 × 3.0 × 4.5	13011-3391B
							2	114.0 × 2.0 × 4.1	13019-1380A(cyl)
							O	114.0 × 4.0 × 4.1	
32269	2FAC	J07C-3	Ranger		6,634	5	T	114.0 × 3.0 × 4.5	13011-3371B
							2	114.0 × 2.0 × 4.1	13011-3371A
							O	114.0 × 4.0 × 4.1	13019-1380A(cyl)
32263	2FAC	J08C	Selega Ranger Rainbow		7,961	6	T	114.0 × 2.5 × 4.1	13011-3570A
							2	114.0 × 2.0 × 4.1	13011-3820A
							O	114.0 × 4.0 × 4.15	13011-3890B 13019-1010B(cyl)
32268	2FAC	J08C-3	Selega Ranger Rainbow		7,961	6	T	114.0 × 3.0 × 4.5	13011-2960A
							2	114.0 × 2.0 × 4.1	13011-2961A
							O	114.0 × 4.0 × 4.1	13011-2962A 13019-1380A(cyl)
32294	2FAC	J08C-4				6	T	114.0 × 2.5 × 4.1	S1304-E0040
							2	114.0 × 2.0 × 4.1	
							O	114.0 × 4.0 × 4.2	
32259	2FAC	S05C			5,307	4	T	114.0 × 2.5 × 4.1	13011-3731A
							2	114.0 × 2.0 × 4.1	13011-78031
							O	114.0 × 4.0 × 4.15	
32285	2FAC	S05D				4	T	114.0 × 2.5 × 4.1	S1301-14070-B
							2	114.0 × 2.0 × 4.1	S1301-91910-B(cyl)
							O	114.0 × 4.0 × 4.1	
32215	PS	EB100 EB200	Truck KB100D,120,300D,320 340,360,380 Bus RE100,100P,120,120P,140		9,036	6	T	115.0 × 3.5 × 4.7	13011-1300
							2	115.0 × 3.0 × 4.6	13011-1310
							3	115.0 × 3.0 × 4.6	13011-1690
							O	115.0 × 5.0 × 4.6	13011-1780
							O	115.0 × 5.0 × 4.6	

TP No.	Type	Engine Model	Vehicle Chassis	Model	CC	No. Cyl.	Position	Size (mm) d1 × h1 × a1	Reference
32230	2F	EL100	Truck FG185, LB760		7,862	6	T	116.0 × 3.0 × 4.8	13011-1700
							2	116.0 × 2.5 × 4.8	13011-1710
							3	116.0 × 2.5 × 4.8	
							O	116.0 × 5.0 × 4.65	
32208	DW	DK10,20 (OLD) (NEW) (TURBO)	Truck	BG100, TC301, 311, 321	10,178	6	T	120.0 × 3.5 × 4.6	3311-1205-05
							2	120.0 × 3.5 × 4.6	13011-1200
			Bus	KA300, KF700, ZM100D, 700	3	120.0 × 3.5 × 4.6	13011-1270		
					O	120.0 × 5.0 × 4.55	13011-1280A		
			Tractor	RC300, 300P, 320, 320P	O	120.0 × 5.0 × 4.6	13011-1290		
32217	2FPS	EB300	Truck	KB112D, 113D, 122, 303D 313, 314, 322, 342 362, 382, 383, 392, 720 BG100, HE320, KH120 KB112D, 304D, 394, 721 ZT300, 320	9,838	6	T	120.0 × 3.5 × 4.6	13011-1330
							2	120.0 × 3.5 × 4.6	13011-1720
							3	120.0 × 3.5 × 4.6	13011-1730A
							O	120.0 × 6.0 × 5.3	3334-1205-09
			Bus	RF300, 320, 400, 420					
32231	2F	EB400	Bus	RE101, 121, 141, 161, 201	9,838	6	T	120.0 × 3.306 × 4.6 K	13011-1630
							2	120.0 × 3.0 × 4.6	13011-1640A
							3	120.0 × 3.0 × 4.6	
							O	120.0 × 6.0 × 5.5	
32282	2FAC	EP100	Super Dolphin FN288 11.5ton		8,821	6	T	120.0 × 3.306 × 4.8 K	13011-2760
							2	120.0 × 2.806 × 4.8 K	13011-1952
							3	120.0 × 2.5 × 4.8	
							O	120.0 × 5.0 × 4.6	
32264	2FAC	P11C P11B-TI YF67 YK15 YJ70	Blue Ribbon Super Dolphin Profia		10,520	6	T	122.0 × 3.306 × 4.4 K	13011-3110A
							2	122.0 × 2.306 × 4.8 K	13011-3111A
							3	122.0 × 2.0 × 4.8	13011-3112A
							O	122.0 × 4.0 × 4.65	13011-3114A
									13011-3114B
									13011-3114C
									13011-3800A
									13011-3810A
									13011-3811A
									13011-3830A
									13011-3870A
									13011-3870A
									13019-1030B(cyl)
		13019-1510A							
		13019-1520A(cyl)							

TP No.	Type	Engine Model	Vehicle Chassis	Model	CC	No. Cyl.	Position	Size (mm) d1 × h1 × a1	Reference
32283	2FAC	EM100	Super Dolphin		9,419	6	T	124.0 × 2.806 × 5.0 K	13011-1921A
							2	124.0 × 2.5 × 5.0	13011-1931
							3	124.0 × 3.0 × 5.0	13019-1540A(cyl)
							O	124.0 × 5.0 × 5.05	
32275	2FAC	M10-U	Blue ribbon HU		9,880	6	T	127.0 × 3.306 × 5.2 K	13011-2870
							2	127.0 × 3.0 × 5.0	13011-2250
							3	127.0 × 3.0 × 5.2	
							O	127.0 × 5.0 × 5.3	
32218	2FPS	ED100	Truck		11,581	6	T	128.0 × 3.5 × 4.8	13011-1470
			KB500,8G150D,ZM102				2	128.0 × 3.5 × 4.8	13011-1480
			KF300D,320,340,355				3	128.0 × 3.5 × 4.8	13011-1660
			360,365,380,385,390				O	128.0 × 6.0 × 5.5	13011-1670A
			TC302,322,342,362,382,921 WP320 HE335,HH130,ZC120,150 ZG150D,ZH110D,ZR300						3400-1205-09
32219	2FPS	EF100	Truck		13,804	8	T	130.0 × 3.306 × 5.2 K	13011-1180A
			HE340,345,346				2	130.0 × 3.5 × 5.4	13011-1570A
			TC701D,721,741,761,781				3	130.0 × 3.5 × 5.4	13011-1580
			KF702S,722,742,762,765				O	130.0 × 6.0 × 5.1	13011-1590
		EF100T	782,785,792						3391-1205-04
			ZM102D,301D,341,703D						
			743,763						
			KA340,KF701D,HH340, HK340 Bus RV730P,750P						
32225	2F3PS	EF300	Truck		14,232	8	T	132.0 × 3.3 × 5.2 K	13011-1091A,B
			KF703D,704,706,746,766				2	132.0 × 3.5 × 5.4	13011-1100
		EF350	767,783,786,796,798				3	132.0 × 3.5 × 5.4	13011-1101
			KS341,TC702D				O	132.0 × 6.0 × 5.4	
			ZM704D,705D,745,764,765 Bus RS120,RV761						
32220	2FPS	EG100	Truck		14,886	8	T	135.0 × 3.306 × 5.4 K	13011-1131B
			KB500D,KS320,HE330,				2	135.0 × 3.5 × 5.4	13011-1141
		350,355		3			135.0 × 3.5 × 5.4	13011-1142	
		TC541,561,921,WB300		O			135.0 × 6.0 × 5.1	13011-1460	
		ZM500D,540,560,580						13011-2150	
		KF585,WP325 Bus RV530P,540P,541,550P,561P RS360P						13011-2160	



TP No.	Type	Engine Model	Vehicle Chassis	Model	CC	No. Cyl.	Position	Size (mm) d1 × h1 × a1	Reference
32251	2FAC	K13C	Truck FS,FR,FN		12,882	6	T	135.0 × 3.306 × 5.4 K	13011-2410
							2	135.0 × 3.5 × 5.4	13019-1580A
							3	135.0 × 3.5 × 5.4	
							O	135.0 × 6.0 × 5.55	
32250	2FAC	K13C-TE	Truck FS,FR,FN		12,882	6	T	135.0 × 3.306 × 5.4 K	13011-3590
							2	135.0 × 3.5 × 5.4	
							3	135.0 × 3.5 × 5.4	
							O	135.0 × 5.0 × 5.05	
32226	2F	EK100 EK130T EK200	Truck KB501D,KF301,391 KS321,341,391 TC303D,343,362,363,383,922 ZC101,121,ZM303,ZR255, WD300		13,267	6	T	137.0 × 3.306 × 5.4 K	13011-1010
							2	137.0 × 3.5 × 5.4	13011-1011
							3	137.0 × 3.5 × 5.4	13011-1021B
							O	137.0 × 6.0 × 5.45	13011-1610A(cyl) 13011-2210A 13011-2221A 13011-3750B
32292	2F	EK100 EK130T EK200	Truck KB501D,KF301,391 KS321,341,391 TC303D,343,362,363,383,922 ZC101,121,ZM303,ZR255, WD300		13,267	6 8	T	137.0 × 3.306 × 5.4 K	13011-1010
							2	137.0 × 3.5 × 5.4	13011-1011
							3	137.0 × 3.5 × 5.4	13011-1021B
							O	137.0 × 6.0 × 5.45	13011-1610A(cyl) 13011-2210A 13011-2221A 13011-3750B
32227	2F	EF700 EF750	Truck HE366,HH341,TC562 ZM500,940		15,920	8	T	137.0 × 3.306 × 5.4 K	13011-1111
							2	137.0 × 3.5 × 5.4	13011-1121B
							3	137.0 × 3.5 × 5.4	13011-1122
							O	137.0 × 6.0 × 5.4	13011-2170B 13011-2180
32233	2F	EV700	Truck HE526,HH541,TC562,WP330		19,900	10	T	137.0 × 3.306 × 5.4 K	13011-1740
							2	137.0 × 3.5 × 5.4	13011-1741
							3	137.0 × 3.5 × 5.4	13011-1751
							O	137.0 × 6.0 × 5.4	13011-2200A 13019-1610A(cyl)
32253	2FAC	K13D	Truck		13,267	6	T	137.0 × 3.306 × 5.4 K	13011-2970
							2	137.0 × 3.5 × 5.4	13011-2990
							3	137.0 × 3.5 × 5.4	13011-2991
							O	137.0 × 5.0 × 5.34	
32293	2FAC	K13D F17D	Truck FS,FR,FN		13,267	6 8	T	137.0 × 3.306 × 5.4 K	13011-2970
							2	137.0 × 3.5 × 5.4	13011-2990
							3	137.0 × 3.5 × 5.4	13011-2991
							O	137.0 × 5.0 × 5.34	

TP No.	Type	Engine Model	Vehicle Chassis	Model	CC	No. Cyl.	Position	Size (mm) d1 × h1 × a1	Reference
32248	2FAC	F17C F17E	FS,FR,RU FN,FW,SH		17,238	8	T	139.0 × 3.306 × 5.4 K	13011-3150
							2	139.0 × 3.5 × 5.5	13011-2810
							3	139.0 × 3.5 × 5.5	13011-2820
							O	139.0 × 5.0 × 5.1	13011-3160 13019-1700A
32279	2FAC	F17C F17E	FS,FR,RU FN,FW,SH		17,238	8	T	139.0 × 3.306 × 5.4 K	13011-3150
							2	139.0 × 3.5 × 5.5	13011-2810
							3	139.0 × 3.5 × 5.5	13011-2820
							O	139.0 × 5.0 × 5.1	13011-3160 13019-1700A
32274	2FAC	F17-2				8	T	139.0 × 3.306 × 5.4 K	AA92A-11120
							2	139.0 × 3.5 × 5.5	
							3	139.0 × 3.5 × 5.5	
							O	139.0 × 4.0 × 4.3	
32252	2FAC	F20C	Truck FS,FR,FO,FN,FW FY,SH,RU		19,688	8	T	146.0 × 3.306 × 5.6 K	13011-2792
							2	146.0 × 3.5 × 5.6	
							3	146.0 × 3.5 × 5.7	
							O	146.0 × 5.0 × 5.05	
32267	2FAC	F20C V25C	Super Dolpin PROFIA : SS		19,688 24,610	8 10	T	146.0 × 3.306 × 5.6 K	13011-2792A
							2	146.0 × 3.5 × 5.6	13011-2980A
							3	146.0 × 3.5 × 5.7	13011-2981A
							O	146.0 × 5.0 × 5.05	13011-3250A 13019-1710A(cyl)
32278	2F	F20C-E	Ranger Truck Super dolphin PROFIA:FS		19,688	8	T	146.0 × 3.306 × 5.6 K	13011-3320A
							2	146.0 × 3.0 × 5.6	13019-1720A(cyl)
							3	146.0 × 3.0 × 5.7	
							O	146.0 × 4.0 × 4.4	
32276	2F	F21C YJ08 V26C	Selga Super Dolphin		20,781	8 10	T	150.0 × 3.306 × 5.5 K	13011-3310A
							2	150.0 × 3.0 × 5.8	13011-3450A
							3	150.0 × 3.0 × 5.8	13019-1730A(cyl)
							O	150.0 × 4.0 × 4.2	

№ No.	Type	Engine Model	Vehicle Chassis	Model	CC	No. Cyl.	Position	Size (mm) d1 × h1 × a1	Reference
32333	3F	N360	N360 TN360		354	2	T	62.5 × 1.5 × 2.8	13011-567-325/cyl
							2	62.5 × 1.5 × 2.8	13011-601-000/cyl
							O	62.5 × 2.5 × 2.75	
32405	3F	E07A				3	T	66.0 × 1.0 × 2.6	13011-P36-003
							2	66.0 × 1.2 × 2.6	
							O	66.0 × 2.8 × 2.55	
32401	3F	E07Z				3	T	66.0 × 1.2 × 2.3	13011-PDF-004
							2	66.0 × 1.2 × 2.8	
							O	66.0 × 2.8 × 2.55	
32408	3F	PFB	ACTY			3	T	66.0 × 1.2 × 2.3	13011-PFB-003
							2	66.0 × 1.2 × 2.6	13011-PFB-J01
							O	66.0 × 2.8 × 2.55	
32409	3F	PZ3	ACTY			3	T	66.0 × 1.2 × 2.4	13011-PZ3-003
							2	66.0 × 1.2 × 2.6	
							O	66.0 × 2.8 × 2.5	
32345	3F	EB1	CIVIC 1200 EB1,SB1 New CIVIC		1,169	4	T	70.0 × 1.5 × 2.8	13011-634-003/cyl
							2	70.0 × 1.5 × 2.8	13011-634-004/cyl
							O	70.0 × 2.8 × 2.75	13011-634-013/cyl 13011-634-305/cyl
32363	3F	EB3	New CIVIC 1200		1,169	4	T	70.0 × 1.5 × 3.0	13011-634-631/cyl
							2	70.0 × 1.5 × 3.3	13011-PB0-004/cyl
							O	70.0 × 4.0 × 3.15	
32346	3F	EB-5	145 Coupe CD,H1400		1,433	4	T	72.0 × 1.5 × 3.4	13011-642-003/cyl
							2	72.0 × 1.5 × 3.4	13011-642-004/cyl
							O	72.0 × 2.8 × 3.05	13011-642-305/cyl
32358	3F	EH	TN-Acty,Acty-Van VD,TA,TB		545	2	T	72.0 × 1.5 × 3.4	13011-679-014/cyl
							2	72.0 × 1.5 × 3.4	13011-679-621/cyl
							O	72.0 × 4.0 × 3.15	
32355	3F	EJ EN	CIVIC 1200,1300 E-SL,E-SS,PAI,5,L-VE Ballade 1300 CIVIC Van J-VC,SC,SF,SV		1,335   1,335 1,238	4	T	72.0 × 1.5 × 3.4	13011-673-000/cyl
							2	72.0 × 1.5 × 3.4	13011-695-004/cyl
							O	72.0 × 4.0 × 3.2	13011-PA0-004/cyl
									13011-PA1-004/cyl 13011-PA5-004/cyl
32359	3F	EJ-2	CIVIC,CIVIC Van Ballade		1,335	4	T	72.0 × 1.0 × 2.8	13011-PA5-014/cyl
							2	72.0 × 1.2 × 3.1	13011-PA5-024/cyl
							O	72.0 × 2.8 × 2.75	13011-PA5-034/cyl
32414	3F	RB1	Fit		1,500	4	T	73.0 × 1.0 × 2.3	13011-RB1-004
							2	73.0 × 1.0 × 2.3	
							O	73.0 × 2.0 × 2.15	

TP No.	Type	Engine Model	Vehicle Chassis	Model	CC	No. Cyl.	Position	Size (mm) d1 × h1 × a1	Reference	
32397	3FAC	REA	Fit, City		1,300	4	T	73.0 × 1.0 × 2.3	13011-REA-F01/cyl	
							2	73.0 × 1.2 × 3.0		
							O	73.0 × 2.8 × 2.6		
32398	3F	REA-2 LDA-MF3	Fit, City		1,300	4	T	73.0 × 1.0 × 2.25	13011-REA-Z01	
							2	73.0 × 1.2 × 3.0	13011-PWA-G01	
							O	73.0 × 2.0 × 2.2	13011-PWC-J01	
32347	3F	EC	CIVIC 1500,SE	CIVIC Van,VB	1,488	4	T	74.0 × 1.5 × 3.2	13011-657-004/cyl	
			2				74.0 × 1.5 × 3.2	13011-657-315/cyl		
			O				74.0 × 2.8 × 2.95	13011-657-604/cyl		
32351	3F	ED	CIVIC 1500,WD		1,488	4	T	74.0 × 1.5 × 3.2	13011-657-670/cyl	
		EF	Accord 1600,SJ				1,599	2	74.0 × 1.5 × 3.2	13011-657-673/cyl
		EE	Ballade 1500,SG,SH,ST					O	74.0 × 4.0 × 3.15	13011-657-671/cyl
		EV								13011-671-000/cyl
		EW								13011-671-004/cyl
EM					13011-PA6-004/cyl					
32364	3F	EM-2	CIVIC,PA6		1,488	4	T	74.0 × 1.2 × 2.8	13011-PA6-014/cyl	
		EF-2	Ballade 1500				2	74.0 × 1.2 × 3.2		
							O	74.0 × 2.8 × 2.95		
32362	3FAC	EW	CIVIC		1,488	4	T	74.0 × 1.5 × 2.9	13011-PE3-004/cyl	
		EV	Ballade				1,342	2		74.0 × 1.5 × 3.2
								O		74.0 × 4.0 × 3.25
32407	3F	P04 D15B7	Partner Domani CIVIC		1,493	4	T	75.0 × 1.2 × 2.8	13011-P04-G02	
		2	75.0 × 1.5 × 3.2							
		O	75.0 × 2.8 × 2.85							
32375	3F	D16 PM0	CIVIC DOMANI CR-X		1,600	4	T	75.0 × 1.2 × 2.75	13011-PM0-B02/cyl	
		2	75.0 × 1.5 × 3.2				13011-PM0-B03/cyl			
		O	75.0 × 4.0 × 2.85							
32381	3F	P08	CIVIC		1,500	4	T	75.0 × 1.0 × 2.6	13011-P07-004/cyl	
							2	75.0 × 1.2 × 3.0	13011-P08-004/cyl	
							O	75.0 × 2.8 × 2.5		
32376	3F	ZC D16A	CIVIC		1,600	4	T	75.0 × 1.2 × 2.75	13011-PM5-G02/cyl	
		2					75.0 × 1.5 × 3.2	13011-PM6-G02/cyl		
		O					75.0 × 2.8 × 2.6			
32400	3F	D17A1	CIVIC,Steam		1,668	4	T	75.0 × 1.0 × 2.6	13011-PLM-A00	
							2	75.0 × 1.2 × 3.0	13011-PLR-A00	
							O	75.0 × 2.0 × 2.45		

TP No.	Type	Engine Model	Vehicle Chassis	Model	CC	No. Cyl.	Position	Size (mm) d1 × h1 × a1	Reference	
32357	3FBC	EK	Accord 1800,SM,SZ Prelude 1800,SN Accord 1600,SV Quint 1600		1,750	4	T	77.0 × 1.5 × 3.3	13011-676-601/cyl	
							2	77.0 × 1.5 × 3.3	13011-676-602/cyl	
							O	77.0 × 4.0 × 3.25	13011-676-604/cyl	
									13011-676-642/cyl	
									13011-676-005/cyl	
				13011-689-013/cyl						
				13011-689-015/cyl						
				13011-PB1-003/cyl						
				13011-PB2-005/cyl						
				13011-PC3-601/cyl						
		13011-PC3-603/cyl								
		13011-PC4-601/cyl								
32360	3FAC	ES	Accord		1,829	4	T	80.0 × 1.5 × 3.4	13011-PC6-004/cyl	
							2	80.0 × 1.5 × 3.4	13011-PC6-013/cyl	
		EY	Prelude		1,598			O	80.0 × 4.0 × 3.25	13011-PC7-023/cyl
										13011-PD6-003/cyl
										13011-PH1-003/cyl
		13011-PH2-003/cyl								
32367	3F	A18A ES,EY-2 PH2	Accord,CA1 Prelude,AB		1,829	4	T	80.0 × 1.2 × 3.2	13011-PD4-003/cyl	
							2	80.0 × 1.2 × 3.3	13011-PH2-901/cyl	
							O	80.0 × 2.8 × 2.8	13011-PH2-902/cyl	
		13011-PH2-903/cyl								
32391	3F	B16,B18 PR3 PR4	Integra		1,600	4	T	81.0 × 1.0 × 3.05	13011-PR3-003/cyl	
							2	81.0 × 1.2 × 3.3	13011-PR3-004/cyl	
							O	81.0 × 2.8 × 2.55	13011-PR4-A01/cyl	
32368	3F	B20A	Accord 2000,CA3 Prelude 2000,BA1		1,958	4	T	81.0 × 1.2 × 2.8	13011-PH3-003/cyl	
							2	81.0 × 1.5 × 3.4	13011-PH3-901/cyl	
		B18A	Accord 1800,CA2		1,834			O	81.0 × 2.8 × 2.9	13011-PH5-003/cyl
										13011-PJ5-601/cyl
		13011-PK1-003/cyl								
		13011-PK1-751/cyl								
32402	3F	RNA R18A1	CIVIC			4	T	81.0 × 1.2 × 2.45	13011-RNA-A01	
							2	81.0 × 1.2 × 3.3	13011-RNA-A02	
							O	81.0 × 2.0 × 2.45		
32411	3F	RZP	Accord CR-V		2,000	4	T	81.0 × 1.2 × 2.45	13011-RZP-003	
							2	81.0 × 1.2 × 3.4	13011-RZP-004	
							O	81.0 × 2.0 × 2.5		
32392	3F	PV0	Ascot Sabar Inspire		2,000	4	T	82.0 × 1.2 × 3.05	13011-PV0-003/cyl	
							2	82.0 × 1.2 × 3.3	13011-PV0-004/cyl	
							O	82.0 × 2.8 × 2.75	13011-PV0-013/cyl	
									13011-PV0-014/cyl	

TP No.	Type	Engine Model	Vehicle Chassis	Model	CC	No. Cyl.	Position	Size (mm) d1 × h1 × a1	Reference
32370	3F	A20A	Accord 2000		2,000	4	T	82.7 × 1.5 × 3.2	13011-PH4-003/cyl
							2	82.7 × 1.5 × 3.4	13011-PH4-601/cyl
							O	82.7 × 4.0 × 3.2	13011-PH4-602/cyl
32388	3FAC	A20A-2	Prelude		2,000	4	T	82.7 × 1.5 × 3.1	13011-PH4-751
							2	82.7 × 1.5 × 3.4	
							O	82.7 × 4.0 × 3.25	
32387	3F	B20B P3F	CR-V,SMX Stepwgn,Orthia		1,972	4	T	84.0 × 1.2 × 3.1	13011-P3F-003/cyl
							2	84.0 × 1.2 × 3.4	
							O	84.0 × 2.8 × 2.6	
32372	3F	C25A-2	Legend 2500		2,493	6	T	84.0 × 1.2 × 3.1	13011-PH7-003/cyl
							2	84.0 × 1.2 × 3.4	
							O	84.0 × 4.0 × 3.15	
32396	3F	PHK	CR-V		2,000	4	T	84.0 × 1.2 × 3.1	13011-PHK-003/cyl
							2	84.0 × 1.2 × 3.4	
							O	84.0 × 2.8 × 2.6	
32374	3F	F20A	Accord 2000		1,997	4	T	85.0 × 1.2 × 3.1	13011-PT0-B01/cyl
							2	85.0 × 1.2 × 3.4	13011-PT0-B02/cyl
							O	85.0 × 2.8 × 2.6	
32378	3F	F22A PT4 F22B	Accord		2,200	4	T	85.0 × 1.2 × 3.1	13011-PT4-X01/cyl
							2	85.0 × 1.2 × 3.4	13011-PT4-X02/cyl
							O	85.0 × 2.8 × 2.6	13011-PT4-X03/cyl
								13011-PT4-X04/cyl	
32383	3F	F22B F20B F18B	Accord,Prelude		2,156 1,997 1,849	4	T	85.0 × 1.2 × 3.1	13011-POA-004/cyl
							2	85.0 × 1.2 × 3.4	13011-PT2-003/cyl
							O	85.0 × 2.8 × 2.6	13011-PT2-004/cyl
32417	2FAC	N22A1				4	T	85.0 × 2.5 × 2.75 K	13011-RL0-G00
							2	85.0 × 1.5 × 2.7	13012-RL0-G00
							O	85.0 × 2.0 × 2.75	
32386	3F	P1R D0A	Sabar,Accord Prelude		2,200 2,500	4	T	85.0 × 1.2 × 3.1	13011-PT0-B04/cyl
							2	85.0 × 1.2 × 3.4	
							O	85.0 × 2.8 × 2.6	
32416	3F	P1R				4	T	85.0 × 1.2 × 3.05	13011-P1R-003
							2	85.0 × 1.2 × 3.4	
							O	85.0 × 2.8 × 2.85	
32394	3F	PCB	Accord		2,000	4	T	85.0 × 1.2 × 3.1	13011-PCB-003/cyl
							2	85.0 × 1.2 × 3.4	
							O	85.0 × 2.8 × 2.6	
32380	2FAC	PT1CA	Accord		2,000 2,200	4	T	85.0 × 1.2 × 3.15	13011-PT1-M02/cyl
							2	85.0 × 1.2 × 3.4	13011-PT1-505
							O	85.0 × 3.0 × 3.67	
32384	3F	PAA F23A	ODYSSEY			4	T	86.0 × 1.2 × 2.7	13011-PAA-Y01/cyl
							2	86.0 × 1.2 × 3.1	13011-PN8-P01
							O	86.0 × 2.8 × 2.9	

TP No.	Type	Engine Model	Vehicle Chassis	Model	CC	No. Cyl.	Position	Size (mm) d1 × h1 × a1	Reference
32395	3F	PEA	ODYSSEY		2,300	4	T	86.0 × 1.2 × 2.7	13011-PEA-003/cyl
							2	86.0 × 1.2 × 3.1	
							O	86.0 × 2.8 × 2.9	
32410	3F	PNA	STEP WAGON			4	T	86.0 × 1.2 × 2.5	13011-PNA-013
							2	86.0 × 1.2 × 3.4	
							O	86.0 × 2.0 × 2.5	
32399	3F	PNE K20A1	CIVIC CR-V		1,998	4	T	86.0 × 1.2 × 3.05	13011-PNE-G02
							2	86.0 × 1.2 × 3.4	
							O	86.0 × 2.0 × 2.5	
32390	3F	PVB	Prelude		2,000	4	T	86.0 × 1.2 × 2.7	13011-PVB-003/013
							2	86.0 × 1.2 × 3.1	
							O	86.0 × 2.8 × 2.9	
32403	3F	J30A4	ACCORD(2003-2007)			6	T	86.0 × 1.2 × 3.05	13011-RCA-A01
							2	86.0 × 1.2 × 3.4	
							O	86.0 × 2.8 × 2.85	
32373	3F	C27A	Legend 2700		2,675	6	T	87.0 × 1.2 × 3.2	13011-PL2-003/cyl
							2	87.0 × 1.2 × 3.5	
							O	87.0 × 4.0 × 3.15	
32404	3F	K24A4	ACCORD(2003)			4	T	87.0 × 1.2 × 3.1	13011-RAF-S01
							2	87.0 × 1.2 × 3.4	
							O	87.0 × 2.8 × 2.75	
32393	3FAC	P13 P14	Accord Prelude		2,200	4	T	87.0 × 1.2 × 3.15	13011-P13-003/cyl
							2	87.0 × 1.2 × 3.2	
							O	87.0 × 2.8 × 2.65	
32406	3F	RAD PPA	CR-V			4	T	87.0 × 1.2 × 3.1	13011-RAD-004
							2	87.0 × 1.2 × 3.4	13011-PPA-004
							O	87.0 × 2.0 × 2.45	
32389	3FAC	P5M	Prelude		2,200	4	T	87.0 × 1.2 × 3.15	13011-P5M-003/013
							2	87.0 × 1.2 × 3.2	
							O	87.0 × 2.8 × 2.65	
32413	3F	R70	Accord		3,500	6	T	89.0 × 1.2 × 3.05	13011-R70-A01
							2	89.0 × 1.2 × 3.6	
							O	89.0 × 2.8 × 2.85	
32385	3FAC	C32A	NSX		3,179	6	T	90.0 × 1.2 × 3.3	13011-PY3-003/cyl
							2	90.0 × 1.2 × 3.6	13011-PY3-004/cyl
							O	90.0 × 2.8 × 2.85	13011-PY3-Y01/cyl
									13011-PY3-Y02/cyl
32415	3F	PY3				6	T	90.0 × 1.2 × 3.3	13011-PY3-003
							2	90.0 × 1.2 × 3.6	
							O	90.0 × 2.8 × 2.65	

TP No.	Type	Engine Model	Vehicle Chassis	Model	CC	No. Cyl.	Position	Size (mm) d1 × h1 × a1	Reference
32586	2F	3KB1 3KA1	For Industrial Machine		877	3	T	70.0 × 2.0 × 3.2	8-94411-305-0/cyl
							2	70.0 × 1.5 × 3.2	
							O	70.0 × 3.5 × 3.45	
						1cyl/set			
32620	2F	3LA1	For Industrial Machine			3	T	70.0 × 2.0 × 2.8	8-97048-921-0/cyl
							2	70.0 × 1.5 × 3.1	
							O	70.0 × 3.5 × 3.5	
						1cyl/set			
32588	2F	3KC1	For Industrial Machine			3	T	74.0 × 2.0 × 3.2	8-94411-295-1/cyl
							2	74.0 × 1.5 × 3.2	
							O	74.0 × 3.5 × 3.55	
						1cyl/set			
32564	2FAC	3AF-1	For Industrial Machine			3	T	76.0 × 2.0 × 3.4	5-12121-012-0/cyl
							2	76.0 × 2.0 × 3.4	
							O	76.0 × 4.0 × 4.2	
						1cyl/set			
32589	2FAC	4EC1	Gemini Diesel JT600		1,487	4	T	76.0 × 2.0 × 3.1	8-94144-187-0/cyl
							2	76.0 × 1.5 × 3.1	8-94332-767-1/cyl
							O	76.0 × 3.0 × 3.55	
32659	2FAC	4FE1	Gemini		1,487	4	T	76.3 × 2.0 × 3.3	8-94169-748-0
							2	76.3 × 2.0 × 3.3	
							O	76.3 × 4.0 × 4.0	
32590	3FAC	4XC1	GeminiJT150		1,471	4	T	77.0 × 1.5 × 3.3	8-94141-947-0/cyl
							O	77.0 × 2.8 × 3.1	
32591	3FAC	4XC1-H 4XC1-T	Gemini		1,471	4	T	77.0 × 1.2 × 2.95	8-94162-769-0/cyl
							2	77.0 × 1.2 × 3.5	8-94109-650-0/cyl
							O	77.0 × 2.8 × 3.1	
32621	2F	3LB1	For Industrial Machine			3	T	77.4 × 2.0 × 3.1	8-97113-762-0/cyl
							2	77.4 × 1.5 × 3.2	
							O	77.4 × 3.5 × 3.5	
						1cyl/set			
32630	2FBC	4LB1	For Industrial Machine			4	T	77.4 × 2.0 × 3.1	8-97034-609-0/cyl
							2	77.4 × 1.5 × 3.2	
							O	77.4 × 3.5 × 3.5	
						1cyl/set			
32513	3F	G150	Bellet,PR20,40 Florian,Uni Cab Light Elf 1500 PA10,KA20,KR85		1,471	4	T	79.0 × 2.0 × 3.2	9-12181-055/cyl
							2	79.0 × 2.0 × 3.2	9-12181-071/cyl
							O	79.0 × 4.0 × 3.15	
32613	2F	4EE1,4EE2	Gemini		1,686	4	T	79.0 × 2.0 × 2.75	8-94381-709-1/cyl
							2	79.0 × 1.5 × 3.2	
							O	79.0 × 3.0 × 3.56	
32565	DWAC	3AE-1	For Industrial Machine			3	T	80.0 × 2.0 × 3.5	5-12121-011-0/cyl
							2	80.0 × 2.0 × 3.5	
							O	80.0 × 4.0 × 4.0	
						1cyl/set			



TF No.	Type	Engine Model	Vehicle Chassis	Model	CC	No. Cyl.	Position	Size (mm) d1 × h1 × a1	Reference
32592	2F	3KR1 3KR2	For Industrial Machine			3	T	81.0 × 2.0 × 3.4	8-94421-650-0/cyl
							2	81.0 × 1.75 × 3.4	8-94378-440-0/cyl
							O	81.0 × 4.0 × 4.0	
						1cyl/set			
32534	3F	G161Z G161W G161AB	Florian 1600 117Coupe,PA90  Elf Truck Foster KA41,50,KAG41,51,PA20		1,584	4	T	82.0 × 2.0 × 3.8	9-12181-141/cyl
							2	82.0 × 2.0 × 3.7	9-12181-113/cyl
							O	82.0 × 4.0 × 3.6	9-12181-616/cyl
									8-94206-294/cyl 8-94216-639/cyl
32570	3FAC	G161-2	LUV/Pick-Up Truck		1,584	4	T	82.0 × 1.5 × 3.5	8-94244-403-0/cyl
							2	82.0 × 1.5 × 3.8	8-94130-293-0/cyl
							O	82.0 × 4.0 × 3.15	
32605	3FAC	4ZA1	PF50		1,584	4	T	82.0 × 1.5 × 2.95	8-94452-743-0/cyl
							2	82.0 × 1.5 × 3.3	
							O	82.0 × 4.0 × 3.05	
32502	2FT	C220	Elf TLD11,11D,11V,21,21V,21 W,60 TL321,351,TK351W Elfin TKD11,11V,11W Truck TLD21V,30,30V,50 Bus BLD11,22,TLD11B,21B BL371,TL321B,351B		2,207	4	T	83.0 × 2.0 × 3.4	9-12181-057/cyl
							2	83.0 × 2.0 × 3.4	9-12181-062/cyl
							3	83.0 × 2.0 × 3.4	9-12181-100/cyl
							O	83.0 × 4.0 × 4.0	
							O	83.0 × 4.0 × 3.4	
32521	2FT	C221 CP221P C201 C201P	Elf TLD12,22,22V(F),22W 32,52,62 BLD22		2,207	4	T	83.0 × 2.0 × 3.4	5-12121-013/cyl
							2	83.0 × 2.0 × 3.4	5-12121-014/cyl
							3	83.0 × 2.0 × 3.4	5-12181-015/cyl
							O	83.0 × 5.0 × 3.9	9-12181-122/cyl
							O	83.0 × 5.0 × 3.2	
32622	2F	3LD1	For Industrial Machine			3	T	83.1 × 2.0 × 3.3	8-97113-503-0/cyl
							2	83.1 × 1.75 × 3.6	
							O	83.1 × 4.0 × 4.25	
						1cyl/set			
32536	3F	G180Z G180S G180SS	Bellet 1800 Florian 1800 117Coupe,PA30,PR95		1,817	4	T	84.0 × 2.0 × 3.6	9-12181-615/cyl
							2	84.0 × 2.0 × 3.7	9-12181-605/cyl
							O	84.0 × 4.0 × 3.15	8-94208-205-0/cyl 8-94216-640/cyl
32572	3F	G180-2 4ZB-1  4ZB-1-J	LUV ASKA		1,817	4	T	84.0 × 1.5 × 3.1	8-94244-404-0/cyl
							2	84.0 × 1.5 × 3.6	8-94235-877-0/cyl
							O	84.0 × 4.0 × 3.15	8-94249-218-0/cyl
									8-94141-443-0/cyl

TP No.	Type	Engine Model	Vehicle Chassis	Model	CC	No. Cyl.	Position	Size (mm) d1 × h1 × a1	Reference
32556	2FACBC	4FB-1 4FC-1	Gemini Diesel PFD60 Fargo,ASKA		1,817 1,995	4	T	84.0 × 2.5 × 3.5	8-94224-221/cyl
							2	84.0 × 2.0 × 3.5	8-94139-973/cyl
							O	84.0 × 4.0 × 4.2	
32624	DW	4LE1	For Industrial Machine			4	T	85.0 × 2.0 × 3.3	8-97141-208-0/cyl
							2	85.0 × 1.75 × 3.7	
							O	85.0 × 4.0 × 4.25	
32669	2FAC	4LE1T/LE2X				4	T	85.0 × 2.0 × 2.95	HK 8-98114-299-0/cyl
							2	85.0 × 2.0 × 3.25	
							O	85.0 × 3.0 × 3.3	
32635	3F	C22-NE				4	T	86.0 × 1.5 × 3.3	8-92064-591-0/cyl
							2	86.0 × 1.5 × 3.4	
							O	86.0 × 3.0 × 2.85	
32569	2FT	C190-2 C240-2	Elf 150,250		1,951	4	T	86.0 × 2.5 × 4.0	5-12121-021-0/cyl
							2	86.0 × 2.0 × 3.5	8-94104-949-0/cyl
							O	86.0 × 5.0 × 3.8	
32648	3F	C190G	Florian VAN		1,951	4	T	86.0 × 2.0 × 3.3	5-12121-008-0
							2	86.0 × 2.0 × 3.5	
							3	86.0 × 2.0 × 3.5	
							O	86.0 × 5.0 × 4.35	
32527	2FT	C240	KVD20,20VF,PAD30,30V		2,369	4	T	86.0 × 2.0 × 3.5	5-12181-027-0/cyl
							2	86.0 × 2.0 × 3.5	5-12121-007-0/cyl
							3	86.0 × 2.0 × 3.5	9-12181-603/cyl
							O	86.0 × 5.0 × 3.8	
62527	2FT	C240	KVD20,20VF,PAD30,30V		2,369	4	T	86.0 × 2.0 × 3.5	5-12181-027-0/cyl
							2	86.0 × 2.0 × 3.5	5-12121-007-0/cyl
							3	86.0 × 2.0 × 3.5	9-12181-603/cyl
							O	86.0 × 5.0 × 3.8	
32600	2FT	C240	Truck		2,369	4	T	86.0 × 2.0 × 3.5	5-12121-007-0/cyl
			KAD41,42,51,52				2	86.0 × 2.0 × 3.5	9-12181-603/cyl
			KB40,41,KBD20,26,40				3	86.0 × 2.0 × 3.5	
			KUD20Z,TCD23				O	86.0 × 5.0 × 3.8	
32528	2FT	C240	TLD,23ZP,23ZV,33		2,369	4	T	86.0 × 2.0 × 3.5	9-12181-138/cyl
			Bus				2	86.0 × 2.0 × 3.5	
			BLD24,KAD51,51ZB,52				3	86.0 × 2.0 × 3.5	
			TLD13,23(V,Z)43,53,63				O	86.0 × 5.0 × 3.8	
							O	86.0 × 5.0 × 3.5	

TP No.	Type	Engine Model	Vehicle Chassis	Model	CC	No. Cyl.	Position	Size (mm) d1 × h1 × a1	Reference
62528	2FT	C240	Elf KAD41V,50NV,51V(NV,ZV)		2,369	4	T	86.0 × 2.0 × 3.5	9-12181-138/cyl
							2	86.0 × 2.0 × 3.5	
							3	86.0 × 2.0 × 3.5	
							O	86.0 × 5.0 × 3.8	
							O	86.0 × 5.0 × 3.5	
32601	2FT	C240	Elf		2,369	4	T	86.0 × 2.0 × 3.5	9-12181-138-0/cyl
							2	86.0 × 2.0 × 3.5	
							3	86.0 × 2.0 × 3.5	
							O	86.0 × 5.0 × 3.8	
							O	86.0 × 5.0 × 3.5	
32661	3F	22LE	Crew Cab		2,200	4	T	86.0 × 1.5 × 3.6	8-92064-589-0/cyl
		C22NE	Single Cab				2	86.0 × 1.5 × 3.4	
			Space Cab				O	86.0 × 3.0 × 3.05	
32538	AC	G201	Truck		1,951	4	T	86.0 × 2.5 × 4.1	9-12181-602/cyl
			TLG12,22,32,42,52,62				2	86.0 × 2.5 × 4.1	
			KVG20,20VF				O	86.0 × 5.0 × 4.1	
			Bus BLG22,22B,24						
32678	3F	X22SE	Amigo		2,200	4	T	86.0 × 1.5 × 3.3	8-92062-027-0/cyl
			Rodeo				2	86.0 × 1.5 × 3.4	
			ELF2.2				O	86.0 × 3.0 × 2.85	
32679	3F	X22SE	Amigo		2,200	4	T	86.0 × 1.2 × 3.1	8-92065-115-0/cyl
			Rodeo				2	86.0 × 1.5 × 3.4	
			ELF2.2				O	86.0 × 2.5 × 2.75	
32555	3FAC	G200	117Coupe PA96		1,949	4	T	87.0 × 2.0 × 3.8	8-94216-641/cyl
							2	87.0 × 2.0 × 3.85	
							O	87.0 × 4.0 × 3.2	
32577	3F	G200ZN	Chevrolet LUV		2,000	4	T	87.0 × 1.5 × 3.15	8-94130-295/cyl
							2	87.0 × 1.5 × 3.6	8-94231-817-0/cyl
							O	87.0 × 4.0 × 3.05	8-94447-415-0/cyl
32657	3F	D-MAX 2.4L	D-MAX		2,400	4	T	87.5 × 1.2 × 2.9	8-93359-241
							2	87.5 × 1.5 × 3.7	
							O	87.5 × 2.5 × 3.05	
32557	2F	C223	117Coupe Diesel		2,238	4	T	88.0 × 2.5 × 3.6	5-12121-017/cyl
			PAD96				2	88.0 × 2.0 × 3.8	8-94100-355/cyl
							O	88.0 × 4.5 × 4.6	
32574	2FT	C223-2	Bighorn,Rodio		2,238	4	T	88.0 × 2.0 × 3.5	8-94253-736-0/cyl
							2	88.0 × 2.0 × 3.5	
							O	88.0 × 4.0 × 4.0	
32640	2F	D201					1	T	88.0 × 2.0 × 3.3
							2	88.0 × 2.0 × 3.3	
							3	88.0 × 2.0 × 3.3	
							O	88.0 × 4.0 × 4.2	

TP No.	Type	Engine Model	Vehicle Chassis	Model	CC	No. Cyl.	Position	Size (mm) d1 × h1 × a1	Reference
32650	2FAC	4FD1	Rodio Bighorn			4	T	88.0 × 2.0 × 3.15	8-94250-730/cyl
							2	88.0 × 2.0 × 3.5	
							O	88.0 × 4.0 × 4.2	
32573	3F	4ZC-1 4ZC-1J 4ZC-1JExp	ASKA		1,994	4	T	88.0 × 1.5 × 3.5	8-94235-878-0/cyl
							2	88.0 × 1.5 × 3.8	8-94119-545-0/cyl
							O	88.0 × 4.0 × 3.2	8-94409-555-0/cyl
32598	2F	4FG1	WFR62		2,400	4	T	89.3 × 2.0 × 3.15	8-94469-634-0/cyl
							2	89.3 × 2.0 × 3.7	
							O	89.3 × 4.0 × 4.25	
32579	3FAC	4ZD-1 4ZD-1Exp	Chevrolet LUV		2,254	4	T	89.3 × 1.5 × 3.5	8-94136-778-0/cyl
							2	89.3 × 1.5 × 3.8	8-94153-966-0/cyl
							O	89.3 × 4.0 × 2.9	
32516	2FT	D370	Truck TY20,20D,30,40		3,664	6	T	90.0 × 2.5 × 3.9	9-12181-099/cyl
							2	90.0 × 2.5 × 3.9	
							3	90.0 × 2.5 × 3.9	
							O	90.0 × 5.0 × 4.8	
							O	90.0 × 5.0 × 3.9	
32596	3FAC	4ZE1	TROOPER		2,559	4	T	92.6 × 1.5 × 3.35	8-94405-614-2/cyl
							2	92.6 × 1.5 × 4.0	
							O	92.6 × 4.0 × 3.05	
32594	3FAC	4ZE1	TROOPER		2,559	4	T	92.6 × 1.5 × 3.5	8-94446-957-1/cyl
							2	92.6 × 1.5 × 4.0	
							O	92.6 × 4.0 × 3.05	
32575	2FT	4JA-1 4JB-1	Truck Elf150		2,771	4	T	93.0 × 2.0 × 3.9	8-94247-867-0/cyl
							2	93.0 × 2.0 × 4.0	
							O	93.0 × 4.0 × 4.1	
62575	2FT	4JA-1 4JB-1	Truck Elf150		2,771	4	T	93.0 × 2.0 × 3.9	8-94247-867-0/cyl
							2	93.0 × 2.0 × 4.0	
							O	93.0 × 4.0 × 4.1	
32612	2FT	4JB1	Truck, Elf150		2,771	4	T	93.0 × 2.0 × 3.9	8-94247-867-0/cyl
							2	93.0 × 2.0 × 4.0	
							O	93.0 × 4.0 × 4.1	
32647	2FT	4JK1 4JJ1	D-MAX			4	T	93.0 × 2.0 × 3.9	8-97319-087-0
							2	93.0 × 2.0 × 4.0	5-87310-519-0
							O	93.0 × 4.0 × 4.2	
32628	2F	6VE1				6	T	93.4 × 1.2 × 3.5	8-97371-553-0/cyl
							2	93.4 × 1.2 × 3.8	
							O	93.4 × 2.0 × 2.75	
32614	3FAC	6VD1	Bighorn		3,165	6	T	93.4 × 1.5 × 3.7	8-97127-562-0/cyl
							2	93.4 × 1.5 × 4.0	8-97162-198-0/cyl
							O	93.4 × 4.0 × 3.1	
32629	3FAC	6VD1-2	Bighorn		3,165	6	T	93.4 × 1.5 × 3.35	8-97170-113-0/cyl
							2	93.4 × 1.5 × 4.0	
							O	93.4 × 3.0 × 2.85	

TP No.	Type	Engine Model	Vehicle Chassis	Model	CC	No. Cyl.	Position	Size (mm) d1 × h1 × a1	Reference							
32674	3F	6VD1(98MY)			3,165	6	T	93.4 × 1.5 × 3.25	8-97136-135-0/cyl							
							2	93.4 × 1.5 × 4.0								
							O	93.4 × 3.0 × 2.85								
32675	3FAC	6VD1-EXP			3,165	6	T	93.4 × 1.5 × 3.35	8-97037-372-0/cyl							
							2	93.4 × 1.5 × 4.0								
							O	93.4 × 4.0 × 2.9								
32636	2FT	4JG1	Bighorn,Elf		3,059	4	T	95.4 × 2.0 × 4.0	8-94379-486-0/cyl							
							2	95.4 × 2.0 × 4.0								
							O	95.4 × 4.0 × 3.95								
32607	2F	4JG2	Bighorn,Elf		3,059	4	T	95.4 × 2.5 × 4.0	8-97080-215-0/cyl							
							2	95.4 × 2.0 × 4.0								
							O	95.4 × 4.0 × 4.45								
32691	2F	4JG2-2	Bighorn Elf		3,059	4	T	95.4 × 2.306 × 4.0 K	8-94370449-0							
							2	95.4 × 2.0 × 4.0								
							O	95.4 × 4.0 × 3.95								
32623	2FT	4JH1	D-MAX		3,059	4	T	95.4 × 2.5 × 3.9	8-97941-122-0/cyl							
							2	95.4 × 2.0 × 3.7								
							O	95.4 × 3.0 × 3.15								
32634	2F	4JJ1	D-MAX		3,059	4	T	95.4 × 2.0 × 3.3 HK	8-97388-734-0/cyl 8-98096-676-0/cyl							
							2	95.4 × 1.5 × 4.0								
							O	95.4 × 3.0 × 3.0								
32652	2FAC	4JJ1-2	TRUCK ELF			4	T	95.4 × 2.0 × 3.3 HK	8-98053579-0							
							2	95.4 × 2.0 × 4.2								
							O	95.4 × 3.0 × 3.0								
32664	2FAC	4JJ1TC	Elf D-MAX		3,059	4	T	95.4 × 2.0 × 3.3 HK	8-98057-222-0							
							2	95.4 × 1.5 × 3.5								
							O	95.4 × 3.0 × 3.0								
32680	2FAC	4JX1	MU Bighorn Wizard		2,999	4	T	95.4 × 2.438 × 4.0 K	8-97184-533-0							
							2	95.4 × 2.0 × 4.0								
							O	95.4 × 4.0 × 3.95								
32644	2FT	D-MAX 3.0			3,059	4	T	95.4 × 2.5 × 3.9	8-97259-941-0							
							2	95.4 × 2.0 × 3.7								
							O	95.4 × 3.0 × 3.85								
32529	2FTBC	4BA-1	Elf  Truck TLD24,34,44,54,64		2,775	4	T	98.0 × 3.0 × 3.9	5-12121-001-0/cyl							
							2	98.0 × 2.5 × 3.9	5-12121-019/cyl							
							O	98.0 × 5.0 × 4.3	5-12181-025/cyl							
		C330	Elf KS		3,318					12181-601/cyl						
																12181-619/cyl

TP No.	Type	Engine Model	Vehicle Chassis	Model	CC	No. Cyl.	Position	Size (mm) d1 × h1 × a1	Reference
62529	2FT	4BA-1	Elf Truck TLD24,34,44,54,64		2,775	4	T	98.0 × 3.0 × 3.9	5-12121-001-0/cyl
							2	98.0 × 2.5 × 3.9	5-12121-019/cyl
							O	98.0 × 5.0 × 4.3	5-12181-025/cyl
									12181-601/cyl
									12181-619/cyl
		C330	Elf KS					9-12181-801/cyl	
32524	2FTBC	D500	Forward TR,BY		4,978	6	T	98.0 × 3.0 × 3.9	5-12181-020/cyl
							2	98.0 × 2.5 × 3.9	9-12181-608/cyl
							O	98.0 × 5.0 × 4.3	
62524	2FT	D500	Forward TR,BY		4,978	6	T	98.0 × 3.0 × 3.9	5-12181-020/cyl
							2	98.0 × 2.5 × 3.9	9-12181-608/cyl
							O	98.0 × 5.0 × 4.3	
32506	DW	DA120	Truck TX541(D,T),542(D,T) 551(T),552(T),TXD40,50 TS542,543(D),TW542(D)		6,126	6	T	100.0 × 2.5 × 4.0	9-12181-063/cyl
							2	100.0 × 2.5 × 4.0	9-12181-091/cyl
							3	100.0 × 2.5 × 4.0	
							O	100.0 × 4.0 × 4.2	
							O	100.0 × 4.0 × 4.0	
32517	2F	DA120A	Bus BA341P,343,351,541 543,551 BB341,351,551 BX352,531,552 For Industrial Machine		6,126	6	T	100.0 × 2.5 × 4.2	1-12181-005/cyl
							2	100.0 × 2.5 × 4.4	1-12181-036/cyl
							3	100.0 × 2.5 × 4.4	1-12181-087/cyl
							O	100.0 × 5.0 × 4.4	1-12181-109/cyl
									1-12181-128/cyl
32688	2F	DA120A	Bus BA341P,343,351,541 543,551 BB341,351,551 BX352,531,552 For Industrial Machine		6,126	6	T	100.0 × 2.5 × 4.2	1-12181-005/cyl
							2	100.0 × 2.5 × 4.4	1-12181-036/cyl
							3	100.0 × 2.5 × 4.4	1-12181-087/cyl
							O	100.0 × 5.0 × 4.4	1-12181-109/cyl
									1-12181-128/cyl
						1cyl/set			
32505	DW	DA220	For Industrial Machine		4,048	4	T	100.0 × 2.5 × 4.0	9-12181-093/cyl
							2	100.0 × 2.5 × 4.0	
							3	100.0 × 2.5 × 4.0	
							O	100.0 × 4.0 × 3.2	
							O	100.0 × 4.0 × 4.0	
32540	2F	DA220A	For Industrial Machine		4,048	4	T	100.0 × 2.5 × 4.2	1-12181-006-0/cyl
							2	100.0 × 2.5 × 4.4	1-12181-038-0/cyl
							3	100.0 × 2.5 × 4.4	1-12181-111-0/cyl
							O	100.0 × 5.0 × 4.4	
32643	2FBC	6BD1				6	T	101.5 × 3.0 × 3.7	1-12121-087-0
							2	101.5 × 2.5 × 4.4	
							O	101.5 × 4.0 × 4.15	

TP No.	Type	Engine Model	Vehicle Chassis	Model	CC	No. Cyl.	Position	Size (mm) d1 × h1 × a1	Reference
32507	DW	DA640	Truck		6,373	6	T	102.0 × 2.5 × 4.0	9-12181-028/cyl
			TXD70E,80E				2	102.0 × 2.5 × 4.0	9-12181-048/cyl
			Bus				3	102.0 × 2.5 × 4.0	9-12181-064/cyl
			BA01,05,10(P),20(P)				O	102.0 × 4.0 × 4.2	9-12181-092/cyl
			BS20,BF20				O	102.0 × 4.0 × 4.2	
32518	DW	DA640A	Truck		6,373	6	T	102.0 × 2.5 × 4.4	12181-007/cyl
			SFR320,420,460,500,600				2	102.0 × 2.5 × 4.4	1-12181-033/cyl
			TSD43,TWD23				3	102.0 × 2.5 × 4.4	12181-074/cyl
			TXD13,23,33,53,60				O	102.0 × 5.0 × 4.6	12181-088/cyl
			Bus						12181-110/cyl
BA741(P),743,BB751									
BR10(P),20(P),351(P)									
BX721E,731,752									
32625	2F	DA640PP	For Industrial Machine		6,373	6	T	102.0 × 3.0 × 3.7	1-12181-034-0/cyl
							2	102.0 × 2.5 × 4.4	
							3	102.0 × 2.5 × 4.4	
							O	102.0 × 5.0 × 4.7	
32546	2F	DA640T	Truck		6,373	6	T	102.0 × 3.5 × 4.4	1-12121-011/cyl
			SFR320,420,460,500,600				2	102.0 × 2.5 × 4.4	12181-014/cyl
			TSD43,TWD23				3	102.0 × 2.5 × 4.4	1-12181-035/cyl
			TXD13,23,33,53,60				O	102.0 × 5.0 × 4.9	
Bus									
BA20(P),BF30									
32545	2FT	4BB-1 4BD-1	Elf		3,595	4	T	102.0 × 3.0 × 4.4	5-12121-005/cyl
			Journey				2	102.0 × 2.5 × 4.4	5-12181-003/cyl
			Truck				O	102.0 × 5.0 × 4.9	5-12181-024/cyl
KA31,KS11,11D,21,31									
32558	2FTBC	4BC-1	Elf		3,268	4	T	102.0 × 3.0 × 4.4	5-12121-004/cyl
			Journey				2	102.0 × 2.5 × 4.4	
			Truck				O	102.0 × 5.0 × 4.8	
KT25,35,TLD55,65,BL35									
62558	2FT	4BC-1	Elf		3,268	4	T	102.0 × 3.0 × 4.4	5-12121-004/cyl
			Journey				2	102.0 × 2.5 × 4.4	
			Truck				O	102.0 × 5.0 × 4.8	
KA31,KS11,11D,21,31									
62560	2FT	4BC-1	Elf		3,268	4	T	102.0 × 3.0 × 4.4	5-12121-004/cyl
			Journey				2	102.0 × 2.5 × 4.4	
			Truck				O	102.0 × 5.0 × 4.8	
KA31,KS11,11D,21,31				1cyl/set					
32639	2FT	4BD2			3,856	4	T	102.0 × 3.0 × 4.0	8-97117-686-0/cyl
							2	102.0 × 2.0 × 3.6	
							O	102.0 × 4.0 × 4.35	

TP No.	Type	Engine Model	Vehicle Chassis	Model	CC	No. Cyl.	Position	Size (mm) d1 × h1 × a1	Reference
32683	2FT	4/6BB1	Forward		5,393	4	T	102.0 × 3.0 × 4.4	5-12121-005/cyl
			Journey		5,785	6	2	102.0 × 2.5 × 4.4	5-12181-003/cyl
			Truck				O	102.0 × 5.0 × 4.9	5-12181-024/cyl
			FBR370JBR						5-12121-055/cyl
			SBR320,320D,322,380,380D						5-12181-023/cyl
			400,422,430,450,500						5-12121-002/cyl
			560,680,TLD23ZPO						5-12121-022/cyl
			YBR310,360						
Tractor									
			VBR320,322			1cyl/set			
32542	2FT	6BB-1 6BD-1	Forward		5,393	6	T	102.0 × 3.0 × 4.4	5-12121-055/cyl
			Journey		5,785		2	102.0 × 2.5 × 4.4	5-12181-023/cyl
			Truck				O	102.0 × 5.0 × 4.9	5-12121-002/cyl
			FBR370JBR						5-12121-022/cyl
			SBR320,320D,322,380,380D						
			400,422,430,450,500						
			560,680,TLD23ZPO						
			YBR310,360						
Tractor									
			VBR320,322						
32602	2FTBC	4BE-1	Elf		3,636	4	T	105.0 × 3.0 × 4.4	8-94418-918-0/cyl
							2	105.0 × 2.5 × 4.3	
							O	105.0 × 5.0 × 4.8	
62602	2FT	4BE-1	Elf		3,636	4	T	105.0 × 3.0 × 4.4	8-94418-918-0/cyl
							2	105.0 × 2.5 × 4.5	
							O	105.0 × 5.0 × 4.8	
32618	2FTBC	4BG1	Elf		4,329	4	T	105.0 × 3.0 × 4.4	8-97123-833-0/cyl
							2	105.0 × 2.5 × 4.3	
							O	105.0 × 4.0 × 4.4	
32559	2FTBC	6BF-1	Forward		6,130	6	T	105.0 × 3.0 × 4.4	5-12121-006/cyl
			JDR460,SDR370,420,422,480				2	105.0 × 2.5 × 4.3	1-12121-052/cyl
							O	105.0 × 5.0 × 4.8	
62559	2FT	6BF-1	Forward		6,130	6	T	105.0 × 3.0 × 4.4	5-12121-006/cyl
			JDR460,SDR370,420,422,480				2	105.0 × 2.5 × 4.3	1-12121-052/cyl
							O	105.0 × 5.0 × 4.8	
32597	2FTBC	6BG1	Forward		6,494	6	T	105.0 × 3.0 × 4.4	1-12121-065-0/cyl
							2	105.0 × 2.5 × 4.3	
							O	105.0 × 4.0 × 4.4	
32626	2FT	6BG1-TC	Forward		6,494	6	T	105.0 × 3.5 × 4.0	1-12121-115-0/cyl
							2	105.0 × 2.5 × 4.5	
							O	105.0 × 4.0 × 4.4	



TP No.	Type	Engine Model	Vehicle Chassis	Model	CC	No. Cyl.	Position	Size (mm) d1 × h1 × a1	Reference
32681	2FT	6BG1T				6	T	105.0 × 3.306 × 4.4 K	1-12121-146-0
							2	105.0 × 2.5 × 4.3	
							3	105.0 × 2.5 × 4.4	
							O	105.0 × 4.0 × 4.4	
32695	2FT	6BG1T				6	T	105.0 × 3.306 × 4.4 K	1-12121-146-0
							2	105.0 × 2.5 × 4.3	
							3	105.0 × 2.5 × 4.4	
							O	105.0 × 4.0 × 4.4	
						1cyl/set			
32677	2FAC	4HE1	Elf		4,751	4	T	110.0 × 3.0 × 3.95 HK	8-97078-779-0/cyl
							2	110.0 × 2.5 × 4.7	
							O	110.0 × 4.0 × 4.2	
32606	2FAC	6HE1	Cubic Bus Forward		7,127	6	T	110.0 × 3.0 × 4.5	8-94396-840-0/cyl
							2	110.0 × 2.5 × 4.7	
							O	110.0 × 4.0 × 4.45	
32638	2FAC	6HE1-TC	Forward		7,127	6	T	110.0 × 3.83 × 4.5 K	8-94390-529-1/cyl
							2	110.0 × 3.0 × 4.4	8-94395-061-5/cyl
							3	110.0 × 2.5 × 4.7	
							O	110.0 × 3.0 × 3.25	
32604	2FAC	4HF1	Elf		4,334	4	T	112.0 × 3.0 × 4.1 HK	8-97109-462-0/cyl
							2	112.0 × 2.5 × 4.7	
							O	112.0 × 4.0 × 4.36	
32608	2FAC	4HF1	Elf		4,334	4	T	112.0 × 3.0 × 4.5	8-97028-691-0/cyl
							2	112.0 × 2.5 × 4.7	
							O	112.0 × 4.0 × 4.36	
32631	2FAC	4HK1-TC 4HG1 4HJ1	Elf		5,193	4	T	115.0 × 3.0 × 3.95 HK	8-97105-867-0/cyl
							2	115.0 × 2.5 × 4.8	8-97219-054-0/cyl
							O	115.0 × 4.0 × 4.35	
32663	2FAC	4HK1-X	Excavator Forklift Industrial Diesel		5,200	4	T	115.0 × 2.941 × 4.15 K	8-98017-166-0/cyl
							2	115.0 × 2.0 × 4.3	
							3	115.0 × 2.5 × 4.8	
							O	115.0 × 3.0 × 3.15	
32684	2FAC	4HK1-X	Excavator Forklift Industrial Diesel		5,200	4	T	115.0 × 2.941 × 4.15 K	8-98017-166-0/cyl
							2	115.0 × 2.0 × 4.3	
							3	115.0 × 2.5 × 4.8	
							O	115.0 × 3.0 × 3.15	
						1cyl/set			
32692	2FAC	4HK1X				4	T	115.0 × 2.941 × 4.15 K	8-98017-166-0/cyl
							2	115.0 × 2.0 × 4.1	
							3	115.0 × 2.5 × 4.8	
							O	115.0 × 3.0 × 3.15	
						1cyl/set			
32682	2FAC	4HK1/6HK1	Elf		5,193	4/6	T	115.0 × 3.0 × 3.95 HK	8-97105-867-0/cyl
							2	115.0 × 2.5 × 4.8	8-97219-054-0/cyl
							O	115.0 × 4.0 × 4.35	8-97603-423-1/cyl
									8-98040-125-0/cyl
						1cyl/set			

TP No.	Type	Engine Model	Vehicle Chassis	Model	CC	No. Cyl.	Position	Size (mm) d1 × h1 × a1	Reference
32645	2FAC	4HG1-T				4	T	115.0 × 3.0 × 3.95	HK 8-98054-995-0
							2	115.0 × 2.5 × 4.8	
							O	115.0 × 4.0 × 4.35	
32685	2FAC	4HG1-T				4	T	115.0 × 3.0 × 3.95	HK 8-98054-995-0
							2	115.0 × 2.5 × 4.8	
							O	115.0 × 4.0 × 4.35	
						1cyl/set			
32658	2FAC	4HL				4	T	115.0 × 3.0 × 4.0	8-97331-641-0/cyl
							2	115.0 × 2.0 × 4.2	
							O	115.0 × 3.0 × 3.15	
32632	2FAC	6HK1-TC	Forward		7,790	6	T	115.0 × 3.0 × 3.95	HK 8-97603-423-1/cyl 8-98040-125-0/cyl
							2	115.0 × 2.5 × 4.8	
							O	115.0 × 4.0 × 4.35	
32627	2FAC	6HH1			8,226	6	T	115.0 × 3.5 × 4.6	8-94390-799-0/cyl
							2	115.0 × 2.5 × 4.8	
							O	115.0 × 4.0 × 4.2	
32646	2FAC	6HH1	Forward Journey		8,226	6	T	115.0 × 3.5 × 4.6	8-94390-799-0/cyl
							2	115.0 × 2.5 × 4.8	
							O	115.0 × 4.0 × 4.2	
						1cyl/set			
32696	2F	6HL1-TC				6	T	115.0 × 2.941 × 4.15	K 8-97601-318-1
							2	115.0 × 2.50 × 4.8	
							O	115.0 × 3.0 × 3.15	
32580	2F	6SA-1 6SA-T	Truck Forward 200PS		8,413	6	T	115.0 × 3.0 × 4.6	1-12121-070-0/cyl 1-12121-113-0/cyl 1-12121-075-0/cyl
							2	115.0 × 2.5 × 4.8	
							O	115.0 × 4.0 × 4.13	
32548	2FAC	10PA-1 8PA-1 12PA-1	Truck SPK710,SPZ450D,SRG720 R,750 SRK701,710,SRM441,450, 450D 650,651,701,710 SRZ440,441,450,451,580,650 VRR290,VRZ440 Bus CRA580,650		12,464	10	T	115.0 × 3.0 × 4.6	1-12181-060/cyl 1-12181-016/cyl
							2	115.0 × 2.5 × 4.8	
							O	115.0 × 6.0 × 5.7	
						1cyl/set			
32562	2F	10PB-1 8PB-1 12PB-1	Truck, Bus CSA580,650 SSZ441,451,581,641,701 SRM701,SSG701 SSM701,SSZ581 VSR300,VSZ431		14,022	10	T	115.0 × 3.0 × 4.6	1-12121-043/cyl 1-12181-058/cyl 1-12181-061/cyl 1-12181-069/cyl
							2	115.0 × 2.5 × 4.8	
							O	115.0 × 4.0 × 5.3	
						1cyl/set			
32582	2FACBC	10PC-1	Truck, Bus CXM10,75ton Hi-Decker		15,014	10	T	119.0 × 3.0 × 4.6	1-12121-047-0/cyl 1-12121-048-0/cyl
							2	119.0 × 2.5 × 4.8	
							O	119.0 × 4.0 × 5.1	
						1cyl/set			

TP No.	Type	Engine Model	Vehicle Chassis	Model	CC	No. Cyl.	Position	Size (mm) d1 × h1 × a1	Reference
32584	2FAC	10PC-1A 10PC-1T	Truck,Bus		15,014	10	T	119.0 × 4.0 × 4.6	1-12121-062-0/cyl
							2	119.0 × 2.5 × 4.8	1-12121-063-0/cyl
							O	119.0 × 4.0 × 5.1	
						1cyl/set			
32603	2FAC	10PD1	Truck,Bus		15,014	10	T	119.0 × 4.0 × 4.6	1-12121-063-2/cyl
							2	119.0 × 2.5 × 4.8	
							O	119.0 × 4.0 × 4.65	
						1cyl/set			
32637	2FAC	6SD1	Forward CXG23		9,839	6	T	120.0 × 3.5 × 4.9	1-12121-094-1/cyl
							2	120.0 × 2.5 × 4.9	
							O	120.0 × 5.0 × 4.95	
32508	DW	DH100	Truck,Bus TD50,TD60,TD70,TD80, TD90,TD141,TD161		10,179	6	T	120.0 × 3.0 × 5.0	1-12181-050/cyl
							2	120.0 × 3.0 × 5.0	1-12181-068/cyl
							3	120.0 × 3.0 × 5.0	
							O	120.0 × 6.0 × 5.3	
							O	120.0 × 6.0 × 4.8	
32519	DW	DH100A	Truck TD50,62,70E,72,80E,90E 141,161,TP70E,81E,91E BC161,BU10 SLR350P,360,400T,401 600,670,VLR290,VRB290		10,179	6	T	120.0 × 3.0 × 5.0	1-12121-016/cyl
							2	120.0 × 3.0 × 5.0	1-12181-001/cyl
							3	120.0 × 3.0 × 5.0	9-12181-083/cyl
							O	120.0 × 6.0 × 5.3	9-12181-086/cyl
							O	120.0 × 6.0 × 5.3	9-12181-114/cyl
32567	DW	DH100-H	Bus BC141,151,151P,161 BU05,10,15,20,20P,30,35P		10,179	6	T	120.0 × 3.0 × 4.9	1-12121-017/cyl
							2	120.0 × 3.0 × 5.0	1-12181-049/cyl
							O	120.0 × 6.0 × 5.5	
32522	DW	D920	Truck TD51,51D,61,70,71,71E 81E,91E Bus BU04D,05D,10D,15D,20,20D 10DP,15DP,20DP,35DP		9,203	6	T	125.0 × 3.0 × 5.1	1-12121-021/cyl
							2	125.0 × 3.0 × 5.2	9-12181-115/cyl
							3	125.0 × 3.0 × 5.2	
		E110	Truck TG55E,75E TM05E,15E,45,55,85E,95E Bus BU05E,10E,15E,20E,25EP		11,044	T	125.0 × 6.0 × 5.3	1-12121-022/cyl	
						O	125.0 × 6.0 × 5.3	9-12181-153/cyl	
32541	DWAC	D920	Tractor TD35E		9,203	6	T	125.0 × 3.0 × 5.1	1-12121-013/cyl
							2	125.0 × 2.5 × 5.1	9-12181-137/cyl
							O	125.0 × 6.0 × 5.2	
32568	2FAC	6QA-1	Truck,Bus CJM470,DJR530,580 SJR361,461,531 TDJ50,72,78		11,044	6	T	125.0 × 3.0 × 5.1	1-12121-028/cyl
							2	125.0 × 2.5 × 5.1	1-12121-046/cyl
							O	125.0 × 6.0 × 5.45	
32633	2FACBC	6QB2	Bus		11,781	6	T	125.0 × 4.0 × 4.8	1-12121-096-0/cyl
							2	125.0 × 2.5 × 5.1	
							O	125.0 × 6.0 × 6.16	

TP No.	Type	Engine Model	Vehicle Chassis	Model	CC	No. Cyl.	Position	Size (mm) d1 × h1 × a1	Reference	
32642	2FAC	10PE-1					T	127.0 × 3.806 × 4.95 K	1-12121-129-1	
							2	127.0 × 3.0 × 5.0		
							3	127.0 × 3.0 × 5.2		
							O	127.0 × 4.0 × 4.2		
						1cyl/set				
32641	2FAC	6WA1TC	GIGA		12,068	6	T	132.9 × 4.306 × 5.2 K	1-12121-117/cyl	
							2	132.9 × 3.0 × 5.2	1-12121-127/cyl	
							3	132.9 × 3.0 × 5.5	1-12121-136/cyl	
							O	132.9 × 4.0 × 4.4		
32662	2FAC	6WA1TC	GIGA		12,068	6	T	132.9 × 3.806 × 5.2 K	1-12121-139/1cyl	
							2	132.9 × 3.0 × 5.2		
							3	132.9 × 3.0 × 5.5		
							O	132.9 × 4.0 × 4.4		
32585	2FAC	6RB-1,2	SHM,CXM		12,023	6	T	135.0 × 4.0 × 5.5	1-12121-037/cyl	
		6RA-1,2	SBM,CXM				13,741	2	135.0 × 2.5 × 5.5	1-12121-040/cyl
								O	135.0 × 5.0 × 6.2	
32610	2FAC	6RB-T	Truck		13,741	6	T	135.0 × 4.0 × 5.5	1-12121-102-1/cyl	
							2	135.0 × 2.5 × 5.5		
							O	135.0 × 4.0 × 4.4		
32525	2F	E120	Truck		12,023	6	T	135.0 × 4.0 × 5.5	1-12121-023/cyl	
			SPG470,540,580,650,720				2	135.0 × 2.5 × 5.5	9-12181-149/cyl	
			SPM450,550,650,710				3	135.0 × 2.5 × 5.5		
			SPK650,710,SPR520				O	135.0 × 7.0 × 6.4		
			SPZ440,450,480,540 580,641,650 TGK55E,75E TMK05E,15,27,45,48 57,67Z,68,78,95 Tractor TDK35E							
32543	2FAC	E120H	Truck		12,023	6	T	135.0 × 4.0 × 5.5	1-12121-015/cyl	
			SPM450,550,650,701,710				2	135.0 × 2.5 × 5.5	1-12121-024/cyl	
			SPZ451,TDK46,50,75				O	135.0 × 7.0 × 6.4	1-12181-022/cyl	
			VPR290,VPZ440 Bus 10K,15K,20K,35K 30KP,35KP,BU4K,10K,20K							
32526	2FAC	V170	Bus		16,513	8	T	145.0 × 4.0 × 5.9	1-12121-025-0/cyl	
		V170-T	TV30,BH20				2	145.0 × 3.0 × 5.9	1-12181-008-0/cyl	
							O	145.0 × 6.0 × 6.3		
32550	2FAC	8MA-1	Truck		16,513	8	T	145.0 × 4.0 × 5.9	1-12121-018/cyl	
		8MA-1T	SWG590,VWR340,360, VWZ430				2	145.0 × 3.0 × 5.9	1-12121-019/cyl	
							O	145.0 × 6.0 × 6.2	1-12181-011/cyl 1-12181-032/cyl	

Part No.	Type	Engine Model	Vehicle Chassis	Model	CC	No. Cyl.	Position	Size (mm) d1 × h1 × a1	Reference
32697	2FAC	10TD1	GIGA			10	T	158.0 × 3.908 × 5.6 K	1-12121-138-1/cyl
							2	158.0 × 2.5 × 5.9	
							3	158.0 × 2.5 × 5.9	
							O	158.0 × 4.0 × 5.0	
						1cyl/set			

TP No.	Type	Engine Model	Vehicle Chassis	Model	CC	No. Cyl.	Position	Size (mm) d1 × h1 × a1	Reference
<b>33715</b>	3F	<b>PB</b>	Familia(323,GLC)		987	4	T	68.0 × 2.0 × 3.0	0249-23-170A
			1000Pick-Up				2	68.0 × 2.0 × 3.0	0259-23-170A
			Bongo Van,Truck				O	68.0 × 4.0 × 2.9	0259-23-206
			SPA,SPB,FPA,BPA BPB55,BPA55						0249-23-206
<b>33756</b>	3F	<b>B1</b>	Truck		987	4	T	68.0 × 1.2 × 2.5	B1YO-11-SCO
							2	68.0 × 1.5 × 3.1	B1Y1-11-SCOA
							O	68.0 × 3.0 × 2.9	
<b>33752</b>	3F	<b>E1</b>	Familia		1,100	4	T	70.0 × 1.2 × 3.2	E101-23-130
							2	70.0 × 1.5 × 3.1	
							O	70.0 × 4.0 × 3.25	
<b>33711</b>	3F	<b>PC</b>	Prest1200, 1200 Pick-up			4	T	70.0 × 2.0 × 3.1	0268-23-170
		<b>TB</b>	Familia(323,GLC)				2	70.0 × 2.0 × 3.1	0271-23-206
		<b>PA</b>	BTA55,65,BTAV				O	70.0 × 4.0 × 3.25	0211-23-999
			FA3PS,A-FA3PS,SPC,SPCV					0317-23-175	
								0317-23-130	
								0268-23-170A	
								0268-23-206	
<b>33757</b>	3F	<b>B3</b>	CANVAS TOP		1,324	4	T	71.0 × 1.2 × 2.6	B3YO-11-SCO
							2	71.0 × 1.5 × 3.1	B3Y1-11-SCOA
							O	71.0 × 3.0 × 2.95	
<b>33717</b>	3F	<b>TC</b>	Familia(323,GLC)		1,272	4	T	73.0 × 2.0 × 3.1	0324-23-175
			BTA,STB,STC,BS7C,HSTBU				2	73.0 × 2.0 × 3.1	0324-23-130
			FA2T55,65,FA3TS,Prest 1300				O	73.0 × 4.0 × 3.2	
			Truck BTA67						
<b>33739</b>	3F	<b>TC(NEW)</b>	Familia(323,GLC)		1,272	4	T	73.0 × 1.5 × 2.7	8034-23-130
			Bongo(E1300)				2	73.0 × 1.5 × 3.1	8034-23-130A
			Pick-Up, Van,FA4T,BA2T8				O	73.0 × 4.0 × 3.25	
<b>33804</b>	3F	<b>ZJ</b>	Demio		1,348	4	T	74.0 × 1.0 × 2.5	ZJY4-11SCO
							2	74.0 × 1.0 × 2.5	
							O	74.0 × 2.0 × 2.25	
<b>33803</b>	3F	<b>K8-DE</b>	MX-3		1,844	6	T	75.0 × 1.5 × 2.8	K8Y2-11-SCO
			EUNOS 500				2	75.0 × 1.5 × 3.2	
			MS-6				O	75.0 × 3.0 × 2.65	
<b>33724</b>	3F	<b>UA</b>	Craft 1500		1,484	4	T	75.0 × 2.5 × 3.3	0603-23-170A
			Truck				2	75.0 × 2.5 × 3.3	0603-23-999
			BUD61,61P,DUC9,9C,9V				O	75.0 × 4.0 × 3.2	0107-11-999
			TUB81,85						

TP No.	Type	Engine Model	Vehicle Chassis	Model	CC	No. Cyl.	Position	Size (mm) d1 × h1 × a1	Reference	
33726	3F	UA(NEW)	Craft(E1500)-New DUE91,DUE95,DUC99		1,484	4	T	75.0 × 2.0 × 3.3	0571-23-170	
							2	75.0 × 2.0 × 3.3	0571-23-180	
							O	75.0 × 4.0 × 3.2		
33787	3F	Z5	Protege		1,489	4	T	75.3 × 1.0 × 2.7	Z5YO-11-SCO	
							2	75.3 × 1.2 × 3.1		
							O	75.3 × 2.5 × 2.4		
33743	3FACBC	E3	Familia(323,GLC) BD1031		1,296	4	T	77.0 × 1.2 × 3.25	E301-23-130	
							2	77.0 × 1.5 × 3.2	E301-23-130A	
		E5	Familia(323,GLC) BD1051 FORD LASER		1,490		O	77.0 × 4.0 × 3.25		
33750	3F	E5-2	323-FWD		1,490	4	T	77.0 × 1.5 × 3.1	E302-23-130A	
							2	77.0 × 2.0 × 3.3		
							O	77.0 × 4.0 × 3.25		
33741	3F	UC	Familia(323,GLC)		1,415	4	T	77.0 × 1.5 × 3.2	8569-23-130	
							2	77.0 × 1.5 × 3.2	8569-23-130A	
							O	77.0 × 4.0 × 3.25		
33759	3F	B6	Familia Van Capella		1,597	4	T	78.0 × 1.5 × 3.1	B6Y3-11-SCOA	
							2	78.0 × 1.5 × 3.4	B6Y6-11-SCOA	
							O	78.0 × 3.0 × 3.0		
33793	3F	B6-2	Familia Van Capella Cargo Van Familia Wagon		1,597	4	T	78.0 × 1.5 × 3.1	B6YO-11-SCOA	
							2	78.0 × 1.5 × 3.4		
							O	78.0 × 4.0 × 2.9		
33755	2F	PN	Familia Diesel		1,720	4	T	78.0 × 2.0 × 2.75	PN11-11-SCO	
							2	78.0 × 1.5 × 3.2		
							O	78.0 × 3.0 × 3.55		
33719	3F	VB,NA	Capella(626),SNA,B-SNA Familia 1600,H-SN3AV SN3A,SN3AV SN4A,B-SN4A		1,586	4	T	78.0 × 1.5 × 3.6	0290-23-130	
							2	78.0 × 1.5 × 3.6	0305-23-130	
							O	78.0 × 4.0 × 3.55	0484-23-130	
		NA	Luce(929)1800 Truck		1,796					3763-23-130
		NA(NEW)	Capella(626)  CB2N,BA2N,Bongo E1600 Pick-Up, Van		1,796	4	T	78.0 × 1.2 × 3.3	8170-23-130	
2	78.0 × 1.5 × 3.6						8170-23-130A			
O	78.0 × 4.0 × 3.55						8658-23-130 H604-23-130			
33746	3F	NA-2	Luce-B1600 Pick-Up, Truck		1,586	4	T	78.0 × 1.5 × 3.5	H617-23-130	
							2	78.0 × 2.0 × 3.6		
							O	78.0 × 4.0 × 3.25		
33714	3F	UB,VB	Luce(929) Capella(626) SUN,SVA,SVZA		1,490	4	T	78.0 × 2.0 × 3.6	0222-23-206	
							2	78.0 × 2.0 × 3.6	0222-23-130	
							O	78.0 × 4.0 × 3.55		

TP No.	Type	Engine Model	Vehicle Chassis	Model	CC	No. Cyl.	Position	Size (mm) d1 × h1 × a1	Reference
33788	3F	ZL	Protege		1,597	4	T	78.0 × 1.2 × 2.55	ZLYO-11-SCO
							2	78.0 × 1.5 × 3.1	
							O	78.0 × 3.0 × 2.85	
33795	3F	ZY-VE	Demio AXELA MAZDA2		1,500	4	T	78.0 × 1.2 × 2.5	ZYY1-11-SCO
							2	78.0 × 1.2 × 3.2	ZYY2-11-SCO
							O	78.0 × 2.5 × 2.3	
33728	3F	VC	Luce(929)		1,769	4	T	80.0 × 2.0 × 3.7	0453-23-130
		MA	LA2V,LA3V,2VV		1,970	2	80.0 × 2.0 × 3.7	0453-23-130B	
			3VS,C-LA30S COSMO(121),C-CD2VC			O	80.0 × 4.0 × 3.55	3975-23-130	
33737	3F	VC(NEW)	Luce(929L)		1,769	4	T	80.0 × 1.2 × 3.5	8682-23-130
		MA(NEW)	B1800 Pick-Up,Bongo		1,970	2	80.0 × 1.5 × 3.6	8682-23-130A	
			LA4V,LA4M,LA2V, CB2V,CD2V BA2V8H,BA2V9H Cosmo(121L) LA4M,CD3M,CB2M		1,970	O	80.0 × 4.0 × 3.35	HE18-23-130	
			FORD Courier					D97Z-6149	
33745	3F	MA-2	Cosmo		1,970	4	T	80.0 × 1.5 × 3.4	HE05-23-130
		VB	Luce			2	80.0 × 2.0 × 3.7		
						O	80.0 × 4.0 × 3.25		
33748	3F	F6	626FWD		1,587	4	T	81.0 × 1.5 × 3.2	F601-23-130
							2	81.0 × 1.5 × 3.6	
							O	81.0 × 4.0 × 3.25	
33725	3F	VA	EVA12,TVA,EVB,EVX		1,985	4	T	82.0 × 2.0 × 3.6	1352-23-130
		EVB	G2000			2	82.0 × 2.0 × 3.6	0552-23-180	
						O	82.0 × 4.5 × 3.55	0552-23-190	
33769	3F	BP	Familia		1,800	4	T	83.0 × 1.5 × 3.1	BPY1-11-SCO
							2	83.0 × 1.5 × 3.6	
							O	83.0 × 3.0 × 2.95	
33791	3F	FPD, FSD				4	T	83.0 × 1.2 × 3.1	FSY2-11-SCOA
							2	83.0 × 1.5 × 3.6	
							O	83.0 × 3.0 × 3.05	
33761	3F	FS	FORD NEW TELSTAR		1,800	4	T	83.0 × 1.2 × 3.15	FSY2-11-SCO
							2	83.0 × 1.5 × 3.6	
							O	83.0 × 3.0 × 3.05	
33762	3F	FS	FORD NEW TELSTAR		1,800	4	T	83.0 × 1.2 × 3.1	FSY2-11-SCOA
							2	83.0 × 1.5 × 3.6	
							O	83.0 × 3.0 × 2.95	
33768	3F	KL	Capella Wagon		2,500	6	T	84.5 × 1.5 × 3.1	KLY2-11-SCOA
							2	84.5 × 1.5 × 3.6	
							O	84.5 × 3.0 × 2.9	



TF No.	Type	Engine Model	Vehicle Chassis	Model	CC	No. Cyl.	Position	Size (mm) d1 × h1 × a1	Reference
33747	3F	F8	Capella,Luce,Cosmo 626FWD E-GC8		1,789	4	T	86.0 × 1.5 × 3.35	F801-23-130
							2	86.0 × 1.5 × 3.8	F801-23-130A
							O	86.0 × 4.0 × 3.25	
33800	3F	FE	Luce Eunos300 Bongo		1,998	4	T	86.0 × 1.5 × 3.3	F2Y1-11-SCO
							2	86.0 × 1.5 × 3.8	F2Y2-11-SCO
							O	86.0 × 4.0 × 3.4	
33751	2F	R2	J100,Bongo N-SD2		2,184	4	T	86.0 × 2.0 × 3.1	R201-23-130A
							2	86.0 × 2.0 × 3.6	R201-23-130B
							O	86.0 × 4.0 × 3.9	
33760	2F	R2(New)	Bongo		2,184	4	T	86.0 × 2.0 × 3.1	R2B6-11-SCO
							2	86.0 × 2.0 × 3.6	
							O	86.0 × 3.0 × 3.3	
33789	2FAC	RFX RFT	Capella		2,000	4	T	86.0 × 2.0 × 2.95	RFO1-23-130
							2	86.0 × 2.0 × 3.6	RFYO-11-SCOD
							O	86.0 × 4.0 × 4.2	
33790	3F	LF-DE L3	MAZDA6		2,000	4	T	87.5 × 1.2 × 2.7	L3Y1-11-SCOA
							2	87.5 × 1.2 × 3.3	L3Y6-11-SCO
							O	87.5 × 2.5 × 2.55	LFY1-11-SCOA FORD:AS7J6148BA L3Y3-11-SCO
33723	PS	YA EYA	E3500 E3800		3,783	6	T	88.9 × 2.38 × 3.5	0727-23-206
							2	88.9 × 2.38 × 3.5	0727-23-207
							3	88.9 × 2.38 × 3.5	0727-23-210
							O	88.9 × 4.76 × 3.5	0728-23-206
							O	88.9 × 4.76 × 3.5	0728-23-207
33721	PS	XA EXA	Truck E2500,EXA32S,33S,35S 44S,74S,EXB43S Bus AEKA,AEXA,AEXB		2,522	4	T	88.9 × 2.38 × 3.5	0559-23-206
							2	88.9 × 2.38 × 3.5	0559-23-207
							3	88.9 × 2.38 × 3.5	0636-23-206
							O	88.9 × 4.76 × 3.5	0636-23-207
							O	88.9 × 4.76 × 3.5	0636-23-210
33744	2F	S2	Luce(929L),Bongo LA4S,BA2S8,BA2S9		2,209	4	T	88.9 × 2.38 × 3.5	1456-23-206
							2	88.9 × 2.38 × 3.5	
		XA(NEW)	Titan E2500 WEW051		2,522	O	88.9 × 4.76 × 4.2		
33784	3F	G6	MPV			4	T	92.0 × 1.5 × 3.25	G601-11-SCOA
							2	92.0 × 1.5 × 3.9	
							3	92.0 × 4.0 × 2.95	
33730	PS	XB EXC	Titan E2700 EXM,EXC13,EXC43		2,701	4	T	92.0 × 2.38 × 3.6	0527-23-206
							2	92.0 × 2.38 × 3.6	0528-23-206
							3	92.0 × 2.38 × 3.6	
							O	92.0 × 4.76 × 3.6	
							O	92.0 × 4.76 × 3.6	

TP No.	Type	Engine Model	Vehicle Chassis	Model	CC	No. Cyl.	Position	Size (mm) d1 × h1 × a1	Reference
33731	PS	ZB EZA XB	Titan E4100 EZA,EZB		4,052	6	T	92.0 × 2.38 × 3.6	0784-23-206
							2	92.0 × 2.38 × 3.6	
							3	92.0 × 2.38 × 3.6	
							O	92.0 × 4.76 × 3.6	
							O	92.0 × 4.76 × 3.6	
33767	2FAC	ZB,XB	Trader		4,100	6	T	92.026 × 2.38 × 3.6	V101-23-206
							2	92.026 × 2.38 × 3.6	
							O	92.026 × 4.76 × 4.3	
33799	2FAC	WE WL	BT-50 2.5 16V		2,500	4	T	93.0 × 2.0 × 3.3	WLY6-11SCO
							2	93.0 × 1.5 × 3.3	
							O	93.0 × 2.0 × 2.8	
33781	2FAC	WL	Bongo Ford		2,500	4	T	93.0 × 2.5 × 3.55	WLY1-11-SCO
							2	93.0 × 2.0 × 3.9	
							O	93.0 × 3.0 × 3.9	
33735	2FAC	HA	Titan E3000,T3000 WEWOF1,WEYOF1 Parkway Bus,TA3H		2,977	4	T	95.0 × 2.38 × 3.8	1363-23-206
							2	95.0 × 2.38 × 3.8	SE01-23-130
							O	95.0 × 4.76 × 4.25	SE01-23-206
33783	2FAC	W9	B2900			4	T	95.0 × 2.5 × 3.55	W9Y1-11-SCO
							2	95.0 × 2.0 × 3.9	
							O	95.0 × 3.0 × 3.4	
33802	2FAC	WE-2	BT50 3.0L			4	T	96.0 × 2.0 × 3.3	WEY1-11-SCO
							2	96.0 × 1.5 × 3.4	
							O	96.0 × 2.0 × 2.8	
33794	2F	VS	Titan			4	T	98.0 × 2.5 × 3.35	VSY1-11-SCOD
							2	98.0 × 2.0 × 3.9	
							O	98.0 × 3.0 × 3.15	
33765	2FAC	SL	Titan,Truck		3,455	4	T	100.0 × 2.5 × 4.1	SL07-23-206
							2	100.0 × 2.0 × 4.2	
							O	100.0 × 4.5 × 4.26	
33785	2FAC	SL	Trader Titan		3,455	4	T	100.0 × 2.5 × 4.2	HK SL01-23-206A
							2	100.0 × 2.0 × 4.2	
							O	100.0 × 4.5 × 4.26	
33801	2FAC	SL	Titan		3,455	4	T	100.0 × 2.5 × 4.2	SL50-11-SCO
							2	100.0 × 2.0 × 4.2	SL07-23-206
							O	100.0 × 4.5 × 4.26	K4Y0-11-SCO
33766	2FAC	TF	Titan		4,000	4	T	105.505 × 2.5 × 4.5	HK TF01-11-SCO
							2	105.505 × 2.0 × 4.6	
							O	105.505 × 4.5 × 4.5	
33780	2FAC	TM				4	T	109.0 × 3.0 × 3.95	HK TMYO-11-SCO
							2	109.0 × 2.0 × 4.6	
							O	109.0 × 3.0 × 3.76	

Ⓕ No.	Type	Engine Model	Vehicle Chassis	Model	CC	No. Cyl.	Position	Size (mm) d1 × h1 × a1	Reference
-------	------	--------------	-----------------	-------	----	----------	----------	---------------------------	-----------

# MITSUBISHI

33973	3F	4A30			660	4	T	60.0 × 1.0 × 2.0	MD301853
							2	60.0 × 1.2 × 2.6	
							O	60.0 × 2.5 × 2.45	
33971	3F	4A30T			660	4	T	60.0 × 1.0 × 2.0	MD301870
							2	60.0 × 1.2 × 2.6	
							O	60.0 × 2.5 × 2.45	
33844	3F	2G21	Minica F4,2G,21,A102,103		359	2	T	62.0 × 1.5 × 2.8	MD016760
							2	62.0 × 1.5 × 2.8	MD016765
							O	62.0 × 2.5 × 2.8	
33847	3F	2G22	Minica 2G,22		471	2	T	65.0 × 1.5 × 2.8	MD019470
							2	65.0 × 1.5 × 2.8	
							O	65.0 × 2.5 × 2.8	
33896	3F	3G82	Minica		660	3	T	65.0 × 1.5 × 2.6	MD120081
							2	65.0 × 1.5 × 2.9	
							O	65.0 × 2.8 × 2.6	
33972	3F	3G83-N	Minica		660	3	T	65.0 × 1.0 × 2.25	MD362974
							2	65.0 × 0.8 × 2.5	
							O	65.0 × 2.0 × 2.45	
33974	3F	3G83-N	Minica		660	3	T	65.0 × 1.2 × 2.3	MD160195
							2	65.0 × 1.2 × 2.9	
							O	65.0 × 2.8 × 2.45	
33930	3F	4G82	Minica			4	T	65.0 × 1.5 × 2.6	
							2	65.0 × 1.5 × 2.9	
							O	65.0 × 2.8 × 2.6	
33995	3F	4A31	Pajero Toppo		1,094	4	T	66.0 × 1.0 × 2.2	
							2	66.0 × 1.2 × 2.9	
							O	66.0 × 2.5 × 2.75	
33857	3FBC	4G11-G	Colt		1,244	4	T	68.2 × 1.5 × 3.1	MD030360
		4G11-EC					2	68.2 × 1.5 × 3.1	MD031730
		4G16-C					O	68.2 × 4.0 × 3.3	MD115495
33858	3F	4G11	Mirage,Lancer		1,244	4	T	69.5 × 1.5 × 3.1	MD030350
			Dodge Colt				2	69.5 × 1.5 × 3.1	MD031670
			A155,A151,A141,A171				O	69.5 × 4.0 × 3.2	
33855	3F	2G23	Minica		550	2	T	70.0 × 1.5 × 3.1	MD019610
			Mini Cab Wide55				2	70.0 × 1.5 × 3.1	
			L100,A105,A106				O	70.0 × 2.5 × 2.8	
			L013						
			MAZDA Porter Cab,PC4D						

MITSUBISHI

TP No.	Type	Engine Model	Vehicle Chassis	Model	CC	No. Cyl.	Position	Size (mm) d1 × h1 × a1	Reference
33894	3FAC	2G23	Minica		550	2	T	70.0 × 1.5 × 2.9	MD011965
			Mini Cab Wide55				2	70.0 × 1.5 × 3.1	
			L100,A105,A106				O	70.0 × 2.5 × 2.9	
			L013 MAZDA Porter Cab,PC4D						
33446	2F	L2C,L3C					T	70.0 × 2.0 × 2.55	MN433712
					2	70.0 × 2.0 × 3.0			
					O	70.0 × 3.0 × 3.55			
33897	3F	4G13(NEW)	Lancer,Mirage		1,298	4	T	71.0 × 1.2 × 2.55	MD158908
			Proton				2	71.0 × 1.5 × 3.1	
							O	71.0 × 3.0 × 2.85	
33401	3FAC	4G13-C				4	T	71.0 × 1.5 × 3.0	MD156170
					2	71.0 × 1.5 × 3.1			
					O	71.0 × 4.0 × 3.2			
33944	3F	4G13-N	Lancer,Mirage		1,298	4	T	71.0 × 1.2 × 2.55	MD335422
							2	71.0 × 1.5 × 2.9	
							O	71.0 × 2.8 × 2.5	
33841	2F	4G42	Lancer 1200,		1,187	4	T	71.0 × 2.0 × 3.3	MD010755
			Colt 1200,				2	71.0 × 2.0 × 3.3	
			A71,71V,H-71V				O	71.0 × 4.0 × 4.0	
33875	3F	G13-B	Mirage		1,298	4	T	71.0 × 1.5 × 3.1	MD074687
		4G13-C	Lancer C11A				2	71.0 × 1.5 × 3.1	MD078543
							O	71.0 × 4.0 × 3.3	MD115490
33880	3F	4G36-EC	Mirage,Colt			4	T	71.8 × 1.5 × 3.2	MD009539
					2	71.8 × 1.5 × 3.2			
					O	71.8 × 4.0 × 3.2			
33900	3F	4G17	Mirage,Colt		1,300	4	T	72.2 × 1.2 × 2.55	MD165325
							2	72.2 × 1.5 × 3.1	
							O	72.2 × 3.0 × 2.85	
33830	3F	4G30	GALANT A51,51H,51V		1,298	4	T	73.0 × 2.0 × 3.3	MD000770
			Lancer 1400				2	73.0 × 2.0 × 3.3	
			A72,72V,B-A72				O	73.0 × 4.0 × 3.25	
			H-A72U Galant 1200,55C,A62						
33856	3F	4G33	Lancer,Celeste,Delica		1,439	4	T	73.0 × 1.5 × 2.7	MD009625
		4G33(NEW)	L300,A72,L031				2	73.0 × 1.5 × 3.1	
		4G33-H	Fork Lift FG10,FG15				O	73.0 × 4.0 × 3.25	
33895	3F	4G33-C	Lancer,Celeste,Delica		1,439	4	T	73.0 × 1.5 × 2.7	MD115500
							2	73.0 × 1.5 × 3.1	
							O	73.0 × 4.0 × 3.25	

TP No.	Type	Engine Model	Vehicle Chassis	Model	CC	No. Cyl.	Position	Size (mm) d1 × h1 × a1	Reference
33907	3F	4G33-H 4G33(OLD) 4G36	GALANT A51,51H,51V Lancer 1400 A72,72V,B-A72 H-A72U Galant 1200,55C,A62		1,298 1,439	4	T	73.0 × 1.5 × 2.7	MD034010
							2	73.0 × 1.5 × 3.1	
							O	73.0 × 4.0 × 3.25	
							33859	3F	G12 4G12 G12-H G120-V G12-T
2	74.0 × 1.5 × 3.3	MD031700							
O	74.0 × 4.0 × 3.3	MD012025							
33883	3F	G31 G31-B 4G31-B	Mirage C18A Hyundai 23433-31500		1,499	4	T	74.5 × 1.5 × 3.0	MD107368
2	74.5 × 1.5 × 3.4	23433-31500							
O	74.5 × 4.0 × 3.2	(Hyundai)							
33400	3F	6G71				6	T	74.7 × 1.5 × 3.25	MD104889
							2	74.7 × 1.5 × 3.3	
							O	74.7 × 4.0 × 3.15	
33450	3F	4A91	COLT		1,498	4	T	75.0 × 1.2 × 2.7	MN195612
							2	75.0 × 0.8 × 2.55	
							O	75.0 × 2.0 × 1.95	
33998	3F	6A11-S4				6	T	75.0 × 1.2 × 2.85	MD189109
							2	75.0 × 1.2 × 3.3	
							O	75.0 × 2.8 × 2.55	
33898	3F	4G15(NEW)	Lancer,Mirage,Proton Libero Cago, R-CB2V		1,468	4	T	75.5 × 1.2 × 2.75	MD158549
							2	75.5 × 1.5 × 3.3	MD180804
							O	75.5 × 3.0 × 2.85	
33403	3F	4G15L			1,468	4	T	75.5 × 1.2 × 2.8	MD187168
							2	75.5 × 1.5 × 3.0	
							O	75.5 × 3.0 × 2.85	
33946	3F	4G15-S3	Lancer,Mirage		1,468	4	T	75.5 × 1.2 × 2.75	MD331313
							2	75.5 × 1.5 × 3.2	
							O	75.5 × 2.8 × 2.5	
33405	3FAC	4G19 75.5				4	T	75.5 × 1.0 × 2.7	MN119569
							2	75.5 × 1.2 × 2.7	
							O	75.5 × 2.0 × 2.0	
33876	3F	G15-B G15-H G15-C 4G15	Mirage,Lancer Colt C12A,C52A,C62A Proton		1,468	4	T	75.5 × 1.5 × 3.3	MD074725
							2	75.5 × 1.5 × 3.3	MD078548
							O	75.5 × 4.0 × 3.2	MD104656
							33432	3F	G15-C
2	75.5 × 1.5 × 3.3								
O	75.5 × 4.0 × 3.2								
33882	3FAC	2G24	Minica		548	2	T	76.0 × 1.5 × 3.3	MD018280
							2	76.0 × 1.5 × 3.3	
							O	76.0 × 2.5 × 2.85	

TP No.	Type	Engine Model	Vehicle Chassis	Model	CC	No. Cyl.	Position	Size (mm) d1 × h1 × a1	Reference
33934	3F	4G18				4	T 2 O	76.0 × 1.2 × 2.75 76.0 × 1.5 × 3.1 76.0 × 2.8 × 2.6	MD349422
33937	3F	4G18-2	Progon Waja			4	T 2 O	76.0 × 1.2 × 2.7 76.0 × 1.2 × 3.2 76.0 × 2.5 × 2.6	MD361982
33938	3F	4G18-3	Progon Waja			4	T 2 O	76.0 × 1.2 × 2.75 76.0 × 1.2 × 3.2 76.0 × 2.5 × 2.6	MD361983
33445	2FAC	K3,4E				4  1cyl/set	T 2 O	76.0 × 2.5 × 3.3 76.0 × 2.0 × 3.3 76.0 × 4.0 × 4.25	HK MM431579
33444	2F	L2E				4  1cyl/set	T 2 O	76.0 × 2.0 × 2.75 76.0 × 2.0 × 3.3 76.0 × 3.0 × 3.55	MN433713
33987	2F	L2E,L3E				4  1cyl/set	T 2 O	76.0 × 2.0 × 3.3 76.0 × 2.0 × 3.2 76.0 × 3.0 × 3.55	MM433152
33839	3FAC	4G41	Galant,Delica T61,T120,120C,120W,H-T120 Coupe FTO		1,378	4	T 2 O	76.5 × 2.0 × 3.5 76.5 × 2.0 × 3.5 76.5 × 4.0 × 3.7	MD010710 MD010715 MD011893
33832	3F	4G32 G32	GalantΣ,Sapporo Lancer,Celeste,Mirage,Delica A53,53C,53V,53H,63,73 112,121,144,153,157,161 174,B-A73,L021,32 Forte,L200,Dodge Colt, Plymouth Champ		1,597	4	T 2 O	76.9 × 2.0 × 3.5 76.9 × 2.0 × 3.5 76.9 × 4.0 × 3.65	MD000725 MD004709 MD004739 MD004770 MD005885 MD007251 MD008105 MD106741
33884	3F	4G32-2			1,597	4	T 2 O	76.9 × 2.0 × 2.95 76.9 × 2.0 × 3.5 76.9 × 4.0 × 3.2	MD110632
33870	3F	G32-T G32EC-T 4G32-T/C	Cordia,GalantΣ Chariot,Tredia Turbo		1,597	4	T 2 O	76.9 × 1.5 × 3.2 76.9 × 1.5 × 3.5 76.9 × 4.0 × 3.7	MD012765 MD062387 MD093337 MD099430
33891	3FAC	2G25	Minica		660	2	T 2 O	78.0 × 1.5 × 3.2 78.0 × 1.5 × 3.3 78.0 × 2.5 × 2.9	MD011810 MD083152
33442	2F	3SL,4SL				1	T 2 O	78.0 × 2.5 × 2.7 78.0 × 2.0 × 3.5 78.0 × 4.0 × 4.25	31A17-00010

TP No.	Type	Engine Model	Vehicle Chassis	Model	CC	No. Cyl.	Position	Size (mm) d1 × h1 × a1	Reference	
33985	2F	K4F-DT				4	T	78.0 × 2.5 × 3.4	HK	MM437295
							2	78.0 × 2.0 × 3.4		
							O	78.0 × 4.0 × 4.25		
						1cyl/set				
33945	3F	4G91	Mirage		1,496	4	T	78.4 × 1.2 × 3.0		MD177113
							2	78.4 × 1.2 × 3.25		
							O	78.4 × 2.8 × 2.6		
33941	3FAC	6A12	Proton Perdana Eterna,Galant,Diamante		2,000	6	T	78.4 × 1.2 × 2.95		MD302644
							2	78.4 × 1.2 × 3.5		
							O	78.4 × 2.8 × 2.65		
33940	3F	6A12-NA	Proton Perdana Eterna,Galant,Diamante		2,000	6	T	78.4 × 1.2 × 3.0		MD189104
							2	78.4 × 1.2 × 3.5		
							O	78.4 × 2.8 × 2.6		
33424	3FAC	6A12 T/C				6	T	78.4 × 1.2 × 2.95		MD189119
							2	78.4 × 1.2 × 3.45		
							O	78.4 × 2.8 × 2.6		
33840	3FAC	4G35	Galant GTO A55		1,686	4	T	79.0 × 1.5 × 3.4		MD003184 MD004835
							2	79.0 × 1.5 × 3.4		
							O	79.0 × 4.0 × 3.8		
33878	2FAC	4D6 4D65	Mirage Colt C14A		1,795	4	T	80.6 × 2.0 × 3.15	HK	MD071206 MD127022
							2	80.6 × 2.0 × 3.7		
							O	80.6 × 4.0 × 4.25		
33879	2FAC	4D6 4D65-T	Galant,Mirage,Colt		1,795	4	T	80.6 × 2.0 × 3.15	HK	MD078209 MD078309 MD136692
							2	80.6 × 2.0 × 3.5		
							O	80.6 × 4.0 × 4.25		
33889	2FAC	4D65	Colt,Galant		1,795	4	T	80.6 × 2.0 × 3.15	HK	MD116000
							2	80.6 × 2.0 × 3.5		
							O	80.6 × 4.0 × 4.25		
33904	2F	4D65	Galant,Mirage,Colt		1,795	4	T	80.6 × 2.0 × 3.15	HK	MD127017 MD071206 MD127022
							2	80.6 × 2.0 × 3.7		
							O	80.6 × 4.0 × 4.25		
33885	3F	4G37 G37	Galant		1,755	4	T	80.6 × 1.5 × 3.15		MD106028
							2	80.6 × 1.5 × 3.7		
							O	80.6 × 4.0 × 3.2		
33954	3FAC	4G37-EC 4G62	E-E12A		1,800	4	T	80.6 × 1.5 × 3.15		MD154012
							2	80.6 × 1.5 × 3.7		
							O	80.6 × 4.0 × 2.9		
33871	3F	G62-T G62-V 4G62	Galant,Tredia,Cordia Delica stare		1,795 1,755	4	T	80.6 × 1.5 × 3.5		MD040465 MD077113
							2	80.6 × 1.5 × 3.7		
							O	80.6 × 4.0 × 3.2		
33863	3F	G62B 4G62	GalantΣ,Sapporo Lancer,A162,A175		1,795	4	T	80.6 × 2.0 × 3.5		MD040610 MD106736
							2	80.6 × 2.0 × 3.7		
							O	80.6 × 4.0 × 3.2		

mitsubishi

TP No.	Type	Engine Model	Vehicle Chassis	Model	CC	No. Cyl.	Position	Size (mm) d1 × h1 × a1	Reference
33842	3FAC	4G51	GalantΣ1850 A114		1,855	4	T	81.0 × 2.0 × 3.5	MD023060
							2	81.0 × 2.0 × 3.7	
							O	81.0 × 4.0 × 3.7	
33902	3F	4G92 4G92,93-EC	Mirage,Lancer Proton		1,592	4	T	81.0 × 1.2 × 2.8	MD173206
							2	81.0 × 1.2 × 3.6	MD173211
							O	81.0 × 2.8 × 2.65	
33955	3FAC	4G93-GDI				4	T	81.0 × 1.2 × 3.15	MD357240
							2	81.0 × 1.2 × 3.55	MD180348
							O	81.0 × 2.8 × 2.65	
33425	3FAC	6A13-D4,T/C				6	T	81.0 × 1.2 × 3.0	MD336736
							2	81.0 × 1.2 × 3.55	MD339229
							O	81.0 × 2.8 × 2.65	
33967	3F	6A13-S4				6	T	81.0 × 1.2 × 3.1	MD336735
							2	81.0 × 1.2 × 3.6	MD344094
							O	81.0 × 2.8 × 2.55	MD344095
33966	3F	4G94-S4				4	T	81.5 × 1.2 × 2.7	1110B098
							2	81.5 × 1.2 × 3.4	1110B099
							O	81.5 × 2.5 × 2.6	1110B100
									MN183585
									MN187178
									MN187179
33602	2F	4DQ11 4DQ1	Jupiter T720,720O,722 Bus,MB720		1,986	4	T	82.0 × 2.0 × 3.6	30617-01014
							2	82.0 × 2.0 × 3.6	
							3	82.0 × 2.0 × 3.6	
							O	82.0 × 4.0 × 3.9	
33932	3FAC	4G61	Mirage,Lancer		1,595	4	T	82.3 × 1.2 × 3.15	MD133495
							2	82.3 × 1.5 × 3.8	
							O	82.3 × 3.0 × 2.85	
33905	2F	4D68-NA	Galant,RVR		1,998	4	T	82.7 × 2.0 × 3.5	HK MD197162
							2	82.7 × 2.0 × 3.5	
							O	82.7 × 3.0 × 3.75	
33963	2FAC	4D68T			1,998	4	T	82.7 × 2.0 × 2.95	HK MD197187
							2	82.7 × 2.0 × 3.5	HK
							O	82.7 × 3.0 × 3.4	
33996	2F	4N13				4	T	83.0 × 2.0 × 2.9	1110B934
							2	83.0 × 1.5 × 2.9	
							O	83.0 × 2.0 × 2.75	
33951	3F	6G73				6	T	83.5 × 1.2 × 2.9	MD310257
							2	83.5 × 1.5 × 3.5	MD351097
							O	83.5 × 3.0 × 2.8	



TP No.	Type	Engine Model	Vehicle Chassis	Model	CC	No. Cyl.	Position	Size (mm) d1 × h1 × a1	Reference
33433	3FAC	6G73				6	T	83.5 × 1.2 × 2.95	MD159836
							2	83.5 × 1.5 × 3.5	
							O	83.5 × 3.0 × 2.8	
33434	3F	6G73-GDI				6	T	83.5 × 1.2 × 2.75	MD370494
							2	83.5 × 1.2 × 3.2	
							O	83.5 × 2.5 × 2.6	
33406	2F	6G73-GDI-3				6	T	83.5 × 1.2 × 2.7	MN187669
							2	83.5 × 1.2 × 3.2	
							O	83.5 × 2.0 × 2.75	
33865	2F	4DQ5	Canter Fork Lift,FD15		2,084	4	T	84.0 × 2.5 × 3.6	30615-51011 30617-51011
							2	84.0 × 2.0 × 3.7	
							O	84.0 × 4.0 × 4.2	
33845	3F	4G52	GalantΣ2000,Sapporo Celeste,Jeep A57,78,115,123,J58		1,995	4	T	84.0 × 2.0 × 3.6	MD021010 MD021035 MD021070 MD027010
							2	84.0 × 2.0 × 3.7	
							O	84.0 × 4.0 × 3.15	
33866	3F	4G63 G63B G63B-T,C	GalantΣ Galant Sapporo Van A163,A164 Shariot Pajero		1,997	4	T	85.0 × 2.0 × 3.1	MD040640 MD040840 MD041580
							2	85.0 × 2.0 × 3.7	
							O	85.0 × 4.0 × 3.2	
33892	3F	4G63 G63B G63B-T,C	GalantΣ Galant Sapporo Van A163,A164 Shariot Pajero		1,997	4	T	85.0 × 1.5 × 3.1	MD100467 MD105516
							2	85.0 × 1.5 × 3.8	
							O	85.0 × 4.0 × 3.2	
33414	3FAC	4G63EX	E-N33W E-CD9A Lancer, Eclipse, Chariot RVR		1,997	4	T	85.0 × 1.5 × 3.1	MD133485
							2	85.0 × 1.5 × 3.7	
							O	85.0 × 3.0 × 2.8	
33919	3F	4G63(NEW)	Galant Shariot		1,997	4	T	85.0 × 1.2 × 3.1	MD195810 MD313405
							2	85.0 × 1.5 × 3.8	
							O	85.0 × 2.8 × 2.6	
33924	3F	4G63K	Galant,Eterna SAVA Chariot RVR		1,997	4	T	85.0 × 1.2 × 3.1	MD140923 MD195850
							2	85.0 × 1.5 × 3.8	
							O	85.0 × 3.0 × 2.6	
33980	3F	4G63S			1,997	4	T	85.0 × 1.2 × 3.15	MN149594
							2	85.0 × 1.2 × 3.5	
							O	85.0 × 2.0 × 2.25	
33417	3F	4B10				4	T	86.0 × 1.2 × 3.1	1110B795 1110C103
							2	86.0 × 1.2 × 3.6	
							O	86.0 × 2.0 × 2.25	
33991	3F	4B11				4	T	86.0 × 1.2 × 3.05	1110A436
							2	86.0 × 1.2 × 3.6	
							O	86.0 × 2.0 × 2.25	

TP No.	Type	Engine Model	Vehicle Chassis	Model	CC	No. Cyl.	Position	Size (mm) d1 × h1 × a1	Reference
33925	3F	4G64 4G64K	Delica Wagon E-P04W		2,350	4	T	86.5 × 1.2 × 3.1	MD195872
							2	86.5 × 1.5 × 3.8	
							O	86.5 × 3.0 × 2.55	
33936	3FAC	4G64	Delica Wagon E-P04W		2,350	4	T	86.5 × 1.2 × 3.15	MD192815
							2	86.5 × 1.5 × 3.8	MD194597
							O	86.5 × 2.8 × 2.6	
33957	3F	4G64-S	Galant		2,350	4	T	86.5 × 1.2 × 3.1	MD195828
							2	86.5 × 1.5 × 3.8	
							O	86.5 × 2.8 × 2.6	
33935	3F	4G64B G64B	Delica Wagon		2,350	4	T	86.5 × 1.5 × 3.05	MD085346
							2	86.5 × 1.5 × 3.5	
							O	86.5 × 4.0 × 3.25	
33983	3F	4G69	SAVRIN/GRUNDER2.4			4	T	87.0 × 1.2 × 3.05	MD377324
							2	87.0 × 1.2 × 3.4	
							O	87.0 × 2.0 × 2.45	
33449	3F	4G69-2				4	T	87.0 × 1.2 × 3.05	S1110A966
							2	87.0 × 1.2 × 3.4	
							O	87.0 × 2.0 × 2.6	
33977	3F	6B31	Outlander			6	T	87.6 × 1.2 × 3.1	1110B435
							2	87.6 × 1.0 × 2.9	
							O	87.6 × 2.0 × 2.3	
33992	3F	4B12				4	T	88.0 × 1.2 × 3.25	1110A822
							2	88.0 × 1.2 × 3.6	1110C162
							O	88.0 × 2.0 × 2.25	
31607	2F	4DR-10 4DR1	Canter,Rosa B14,T90,T92,T94		2,384	4	T	88.0 × 2.5 × 3.6	30317-11011
							2	88.0 × 2.0 × 3.8	
							3	88.0 × 2.0 × 3.8	
							O	88.0 × 4.0 × 4.2	
33846	3F	4G53	Canter,Jeep,Rosa FC211,BC211,J26,J38,J46,J56		2,384	4	T	88.0 × 2.0 × 3.8	MD025000
							2	88.0 × 2.0 × 3.8	MD026985
							O	88.0 × 4.0 × 3.2	
33986	2FAC	K4N				4	T	90.0 × 2.5 × 3.35	MM438689
							2	90.0 × 2.0 × 3.7	
							O	90.0 × 4.0 × 4.2	
33861	2FAC	4D55-NA 4D56-NA	GalantΣA167 Galant Sapporo		2,346	4	T	91.1 × 2.5 × 3.7	MD050395
							2	91.1 × 2.0 × 3.8	
							O	91.1 × 4.0 × 4.1	
33454	2FAC	4D56(D4)				4	T	91.1 × 2.5 × 3.3	HK
							2	91.1 × 2.0 × 3.7	HK
							O	91.1 × 3.0 × 3.55	
33921	2FAC	4D56-IC/TC	Galant		2,346	4	T	91.1 × 2.5 × 3.7	HK
							2	91.1 × 2.0 × 3.7	HK
							O	91.1 × 4.0 × 4.1	

TF No.	Type	Engine Model	Vehicle Chassis	Model	CC	No. Cyl.	Position	Size (mm) d1 × h1 × a1	Reference
33862	2FAC	4D56-TC 4D55-T 4D56	GalantΣA167 Galant Sapporo Turbo		2,346	4	T	91.1 × 2.5 × 3.7	HK MD050390
							2	91.1 × 2.0 × 4.0	HK MD103391
							O	91.1 × 4.0 × 4.1	
33979	2F	4D56 TDI				4	T	91.1 × 2.5 × 3.35	HK 1110A561
							2	91.1 × 2.0 × 3.8	HK
							O	91.1 × 4.0 × 4.2	
33920	3FAC	6G72	Sigma		2,972	6	T	91.1 × 1.2 × 3.35	MD301803
							2	91.1 × 1.5 × 3.8	MD354879
							O	91.1 × 3.0 × 2.85	MD158334 MD301803
33965	3FAC	6G72-2	Sigma,Pajero		2,972	6	T	91.1 × 1.2 × 3.25	MD165949
							2	91.1 × 1.5 × 3.8	
							O	91.1 × 3.0 × 2.85	
33430	3F	6G72 BK				6	T	91.1 × 1.2 × 3.3	1110B180
							2	91.1 × 1.5 × 3.8	
							O	91.1 × 3.0 × 2.85	
33890	3F	6G72-C	Debonaires 12A Sigma		2,972	6	T	91.1 × 1.5 × 3.55	MD104922
							2	91.1 × 1.5 × 3.8	MD104923
							O	91.1 × 4.0 × 3.2	MD104939 MD104940 MD129548
33407	2F	6G72-GDI-3			2,972	6	T	91.1 × 1.2 × 3.3	MN187664
							2	91.1 × 1.5 × 3.8	
							O	91.1 × 2.0 × 2.85	
33408	3F	6G72-S4			2,972	6	T	91.1 × 1.2 × 3.35	MD374009
							2	91.1 × 1.2 × 3.5	
							O	91.1 × 2.5 × 2.55	
33409	3FAC	6G72-S4(NEW)			2,972	6	T	91.1 × 1.2 × 3.3	1110A937
							2	91.1 × 1.5 × 3.8	
							O	91.1 × 3.0 × 2.85	
33428	3F	6G72,S2,S4				6	T	91.1 × 1.2 × 3.25	MD329755
							2	91.1 × 1.5 × 3.8	
							O	91.1 × 3.0 × 2.85	
33429	3FAC	6G72-MIVEC				6	T	91.1 × 1.2 × 3.25	MD323843
							2	91.1 × 1.5 × 3.6	
							O	91.1 × 3.0 × 2.85	
33860	3FAC	G54 4G54	Debonaire,GalantΣ Galant Sapporo Dodge Challenger Plymouth Sapporo Jeep		2,555	4	T	91.1 × 2.0 × 3.5	MD025089
							2	91.1 × 2.0 × 3.8	MD026835
							O	91.1 × 4.0 × 3.2	MD026960 MD027140 MD107813 MD107818

MITSUBISHI

TP No.	Type	Engine Model	Vehicle Chassis	Model	CC	No. Cyl.	Position	Size (mm) d1 × h1 × a1	Reference
33929	3FAC	G54-C 4G54	Debonaire,Sapporo, Dodge Challenger		2,555	4	T	91.1 × 1.5 × 3.55	MD101895
							2	91.1 × 1.5 × 3.8	
							O	91.1 × 4.0 × 3.2	
33872	3FAC	G54-T G54-V G54 G54-C 4G54	Starion		2,555	4	T	91.1 × 1.5 × 3.55	MD061258
							2	91.1 × 1.5 × 3.8	MD080598
							O	91.1 × 4.0 × 3.2	MD106752
33931	3FAC	G54-U 4G54 4G64	Starion		2,555	4	T	91.1 × 1.5 × 3.55	MD076170
							2	91.1 × 1.5 × 3.8	
							O	91.1 × 4.0 × 3.2	
33836	2F	4DR-5	Canter T96A,96B,96A2,98A,98 A2,98AD 98B,98B2,200C,200CP,200CT 200F,210C,210CD,210CT,210F 220,FE100,120 Jupiter T200CZ,200F Jeep J24,24H,36,44,54 Bus B200,210		2,659	4	T	92.0 × 2.5 × 3.7	HK 31617-02012
							2	92.0 × 2.0 × 3.9	31617-02013
							3	92.0 × 2.0 × 3.9	31617-05102
							O	92.0 × 4.5 × 4.2	31617-05103
31609	2F	6DR-5	Jupiter T44A,44B,44L Bus B360,BH212,215 Fork Lift,FD60		3,988	6	T	92.0 × 2.5 × 3.7	HK 31717-12012
							2	92.0 × 2.0 × 3.9	31717-12013
							3	92.0 × 2.0 × 3.9	
							O	92.0 × 4.5 × 4.2	
33933	3FAC	6G74	Devonair		3,500	6	T	93.0 × 1.5 × 3.5	MD300569
							2	93.0 × 1.5 × 3.9	MD369575
							O	93.0 × 3.0 × 2.85	
33416	3F	6G74-GDI 93				6	T	93.0 × 1.5 × 3.55	MD366688
							2	93.0 × 1.5 × 3.8	
							O	93.0 × 3.0 × 2.8	
33410	3F	6G74-GDI-1 93			3,500	6	T	93.0 × 1.2 × 3.5	MN119685
							2	93.0 × 1.2 × 3.5	
							O	93.0 × 2.5 × 2.6	
33411	2F	6G74-GDI-2 93			3,500	6	T	93.0 × 1.2 × 3.5	MN187677
							2	93.0 × 1.2 × 3.5	MN187678
							O	93.0 × 2.0 × 2.85	MN187679
33412	3FAC	6G74-FFV 93			3,500	6	T	93.0 × 1.5 × 3.55	1110B587
							2	93.0 × 1.5 × 3.9	
							O	93.0 × 3.0 × 2.85	
33415	3F	6G74-MIVEC				6	T	93.0 × 1.5 × 3.35	MD355642
							2	93.0 × 1.5 × 3.7	MD369253
							O	93.0 × 3.0 × 2.85	

TP No.	Type	Engine Model	Vehicle Chassis	Model	CC	No. Cyl.	Position	Size (mm) d1 × h1 × a1	Reference
33981	3F	6G74-S4	Debonair		3,500	6	T	93.0 × 1.5 × 3.5	MD322783
							2	93.0 × 1.5 × 3.8	
							O	93.0 × 3.0 × 2.85	
33975	2F	S4E S4ES	Fork Lift		2,609	4	T	94.0 × 2.5 × 3.9	HK 34417-11011
							2	94.0 × 2.0 × 3.9	
							O	94.0 × 4.5 × 4.25	
33455	2F	S4E-2				4 1cyl/set	T	94.0 × 2.5 × 3.9	HK 34417-11011
							2	94.0 × 2.0 × 3.9	
							O	94.0 × 4.5 × 4.25	
33984	2FAC	S4S			2,609	4 1cyl/set	T	94.0 × 2.5 × 3.3	HK 32A17-02010
							2	94.0 × 2.0 × 3.9	
							O	94.0 × 4.0 × 4.2	
33909	2F	4DR7			2,835	4	T	95.0 × 2.36 × 3.7	K ME997256
							2	95.0 × 2.0 × 3.9	
							O	95.0 × 4.0 × 4.06	
33982	2FAC	4M40	Pajero		2,835	4	T	95.0 × 2.358 × 3.6	K ME201522
							2	95.0 × 2.0 × 3.9	
							O	95.0 × 4.0 × 4.058	
33922	2FAC	4M40-NA	Canter Pajero		2,835	4	T	95.0 × 2.36 × 3.4	K ME202342 ME202950
							2	95.0 × 2.0 × 3.7	
							O	95.0 × 4.0 × 4.0	
33447	2FAC	4M40-T				4	T	95.0 × 2.358 × 3.4	K ME202940
							2	95.0 × 2.0 × 3.9	
							O	95.0 × 3.0 × 4.0	
33952	2FAC	4M40-TC	Pajero		2,835	4	T	95.0 × 2.358 × 3.4	K ME202148
							2	95.0 × 2.0 × 3.9	
							O	95.0 × 3.0 × 4.0	
33968	2FAC	4M42				4	T	95.0 × 2.358 × 3.4	K ME190317 ME993211 ME993212
							2	95.0 × 2.0 × 3.7	
							O	95.0 × 3.0 × 3.4	
31603	2F	6DS1	Fuso Truck T620,650B,650E,650J,650ZD Bus MR620		4,678	6	T	95.0 × 2.5 × 4.1	30817-01006 ME020382 ME021376
							2	95.0 × 2.0 × 4.1	
							3	95.0 × 2.0 × 4.1	
							O	95.0 × 4.5 × 4.2	
31610	2FAC	6DS3	Fuso Truck,T630B,651E,T652B Bus B622B		5,103	6	T	95.0 × 3.0 × 3.9	HK ME021855 ME023327 ME023327-2
							2	95.0 × 2.0 × 4.1	
							O	95.0 × 4.5 × 4.2	
33993	3F	6G75				6	T	95.0 × 1.2 × 3.7	1110A497 1110B806 1110B571 MN183867
							2	95.0 × 1.2 × 3.6	
							O	95.0 × 2.0 × 2.6	

mitsubishi

TP No.	Type	Engine Model	Vehicle Chassis	Model	CC	No. Cyl.	Position	Size (mm) d1 × h1 × a1	Reference	
31606	2F3PS	6DS5	Fuso Truck,T630B,651E Bus,B620B,620BE,620E Tractor T651ZR		4,987	6	T	98.0 × 3.0 × 4.2	30817-31000	
							2	98.0 × 2.0 × 4.2	ME020427	
							3	98.0 × 2.0 × 4.2	ME021382	
							O	98.0 × 5.0 × 4.8	ME021856	
31611	2FAC	6DS7	Fuso Truck T635B,653BG,663C,663ZD, FK102 Bus,B623B,623E Tractor T653ZR		5,430	6	T	98.0 × 3.0 × 4.0	HK ME021861	
							2	98.0 × 2.0 × 4.2	ME024409	
							O	98.0 × 5.0 × 4.8		
31612	2FAC(MT)	6DS7	Fuso Truck T635B,653BG,663C, 663ZD,FK102 Bus,B623B,623E Tractor T653ZR		5,430	6	T	98.0 × 3.0 × 4.0	HK ME023333	
							2	98.0 × 2.0 × 4.2	ME023333-2	
							O	98.0 × 5.0 × 5.1		
33956	2FAC	4M41-TI 4D65	Pajero Triton			4	T	98.5 × 2.358 × 3.4	K ME203533	
							2	98.5 × 1.5 × 3.5	1110A851	
							O	98.5 × 3.0 × 3.75		
33422	2FAC	4M41-DID				4	T	98.5 × 2.358 × 3.4	1110B302	
							2	98.5 × 1.5 × 3.5		
							O	98.5 × 3.0 × 3.75		
33423	2FAC	4M41-PSU				4	T	98.5 × 2.358 × 3.4	1110B654	
							2	98.5 × 1.5 × 3.5		
							O	98.5 × 3.0 × 3.65		
33943	2FAC	4D30 4D31	Canter,Rosa Bus,BE211 Truck FE104,111,114,121,211			3,298	4	T	100.0 × 3.0 × 4.0	HK ME012010
								2	100.0 × 2.0 × 4.2	ME012070
								O	100.0 × 5.0 × 4.75	
33912	2FAC	4D31T	Truck Canter			3,298	4	T	100.0 × 3.0 × 4.0	HK ME012848
								2	100.0 × 2.0 × 4.2	ME997396
								O	100.0 × 4.0 × 3.95	ME997398
33947	2FAC	6D31 6D31T	Truck FK330			4,948	6	T	100.0 × 3.0 × 4.0	HK ME999717
								2	100.0 × 2.0 × 4.2	
								O	100.0 × 5.0 × 4.75	
33948	2FAC	6D31T	Truck,Fighter FK330			4,948	6	T	100.0 × 3.0 × 4.0	HK ME999783
								2	100.0 × 2.0 × 4.2	ME999836
								O	100.0 × 4.0 × 3.95	
33939	2FAC	4D32	Canter			3,567	4	T	104.0 × 3.0 × 4.0	HK ME997318
								2	104.0 × 2.0 × 4.2	ME999641
								O	104.0 × 4.0 × 4.2	
33950	2FAC	4D34 4D34T	Canter,Rosa Fighter			3,907	4	T	104.0 × 2.81 × 3.9	K ME997240
								2	104.0 × 2.0 × 4.2	
								O	104.0 × 4.0 × 4.25	

TP No.	Type	Engine Model	Vehicle Chassis	Model	CC	No. Cyl.	Position	Size (mm) d1 × h1 × a1	Reference
33441	2FAC	6D34T				6	T	104.0 × 2.806 × 4.1 K	ME996442
							2	104.0 × 2.0 × 4.2	
							O	104.0 × 4.0 × 4.25	
33850	2FAC	6D10 6D11	Fuso Truck T654B,654ZR,FK10-3 FK103 Bus MK103H,HM504H		5,974 6,754	6	T	105.0 × 3.0 × 4.2 HK	ME032190
							2	105.0 × 2.0 × 4.4	ME032190-01
							O	105.0 × 5.0 × 4.8	ME032326
									ME032404
33923	2FAC	4D33A 4D33	Canter Fuso Truck FE437,447		4,214	4	T	108.0 × 3.0 × 4.3	ME996378
							2	108.0 × 2.0 × 4.4	
							O	108.0 × 4.0 × 4.3	
33959	2FAC	4D35	Rosa Canter FE538,FE638		4,561	4	T	110.0 × 3.0 × 4.0	ME996628
							2	110.0 × 2.5 × 3.9	ME995237
							O	110.0 × 4.0 × 4.35	
33456	2FAC	4D35-2				4	T	110.0 × 3.0 × 3.9	ME995214
							2	110.0 × 2.0 × 3.9	
							O	110.0 × 4.0 × 4.371	
33851	2FAC	6D14	Fuso Truck FK115,H50R,115F,115H 115J,115K,FM215,T656ZR Bus MK115,115H,MM115,515		6,557	6	T	110.0 × 3.0 × 4.3 HK	ME032071
							2	110.0 × 2.5 × 4.4	ME032260
							O	110.0 × 5.0 × 4.7	ME032404
									ME032458
33448	2FAC	6D14-2				6	T	110.0 × 3.0 × 4.1	ME999952
							2	110.0 × 2.5 × 4.4	
							O	110.0 × 4.0 × 4.35	
33928	2FAC	6D14T	Fuso Truck,Bus MK115,115H,MM115,515		6,557	6	T	110.0 × 2.806 × 4.3 K	ME997465
							2	110.0 × 2.5 × 4.2	
							O	110.0 × 4.0 × 4.371	
31604	2F3PS	6DB	Fuso Truck T330,330D,331,335,337D 370D,380,383,385D,390,410D 460,480,482,K100,4K100,120 Bus AR470,480,AM480,B820J MAR410,420,440,480,490 6W100D,R470,R480 MR410,420,430,440 480,490,510,520 Fork Lift,FD150		8,553	6	T	110.0 × 3.5 × 4.4	30017-71002
							2	110.0 × 2.5 × 4.7	30017-71003
							3	110.0 × 2.5 × 4.7	30017-75002
							O	110.0 × 5.0 × 4.7	30017-75003
31605	2F3PS	8DB	Fuso Bus R820,870,AR820,870 MR820,870,MAR820,870		11,404	8	T	110.0 × 3.5 × 4.4	30017-11000
							2	110.0 × 2.5 × 4.7	
							3	110.0 × 2.5 × 4.7	
							O	110.0 × 5.0 × 5.1	

mitsubishi

TP No.	Type	Engine Model	Vehicle Chassis	Model	CC	No. Cyl.	Position	Size (mm) d1 × h1 × a1	Reference	
33867	2FAC	6D15	Fuso Truck FK116,216,FMJ316 MK116,MM116,516 Fighter,Aero Midi		6,919	6	T	113.0 × 3.0 × 4.3	HK	ME032403
							2	113.0 × 2.5 × 4.4		ME072306
							O	113.0 × 5.0 × 4.9		
33961	2FAC	6D15T	Truck		6,919	6	T	113.0 × 2.806 × 3.9	K	ME997456
							2	113.0 × 2.5 × 4.4		ME997466
							O	113.0 × 4.0 × 4.35		ME999929 ME999954
33443	2FAC	4M50				4	T	114.0 × 2.806 × 3.9	K	ME993913
							2	114.0 × 2.0 × 3.9		ME995590
							O	114.0 × 4.0 × 4.25		
33969	2FAC	4M51				4	T	118.0 × 3.0 × 4.0		ME995591
							2	118.0 × 2.0 × 4.1		ME995592
							O	118.0 × 4.0 × 4.35		ME995593
33970	2FAC	4M51-2				4	T	118.0 × 3.0 × 4.0		ME995113
							2	118.0 × 2.0 × 4.1		ME995114
							O	118.0 × 3.0 × 3.65		ME995115
33893	2FAC	6D16	Fuso Truck FK617A,FK618		7,545	6	T	118.0 × 3.0 × 4.6		ME999540
							2	118.0 × 2.5 × 4.6		ME999955
							O	118.0 × 4.0 × 4.3		
33910	2FAC	6D16	Fuso Truck		7,545	6	T	118.0 × 3.0 × 4.6		ME999955
							2	118.0 × 2.5 × 4.6		
							O	118.0 × 4.0 × 4.54		
33942	2FAC	6D16T	Fuso Truck		7,545	6	T	118.0 × 2.81 × 3.9	K	ME996591
							2	118.0 × 2.5 × 4.6		
							O	118.0 × 4.0 × 4.54		
33413	2FAC	6D16TL	Fighter Aero Midi		7,545	6	T	118.0 × 2.806 × 3.9		ME995535
							2	118.0 × 2.5 × 4.6		ME995536(cyl)
							O	118.0 × 4.0 × 4.1		
33976	2FAC	6D17	Fuso Truck		7,600	6	T	118.0 × 2.81 × 3.9	K	ME996593
							2	118.0 × 2.5 × 4.6		
							O	118.0 × 4.0 × 4.1		
33953	2FAC	6M60T	Fuso Truck		7,545	6	T	118.0 × 2.81 × 3.9	K	ME993947
							2	118.0 × 2.5 × 4.3		ME993948
							O	118.0 × 4.0 × 4.35		
33436	2FAC	6M60T				6	T	118.0 × 2.806 × 3.9	K	ME993950
							2	118.0 × 2.5 × 4.3		
							O	118.0 × 4.0 × 4.35		
33437	2FAC	N6M60T				6	T	118.0 × 2.806 × 3.9	K	ME990062
							2	118.0 × 2.5 × 4.3		
							O	118.0 × 3.0 × 3.65		
33438	2FAC	N6M60T				6	T	118.0 × 2.806 × 3.9	K	ME990063
							2	118.0 × 2.5 × 4.3		
							O	118.0 × 3.0 × 3.65		



TP No.	Type	Engine Model	Vehicle Chassis	Model	CC	No. Cyl.	Position	Size (mm) d1 × h1 × a1	Reference	
33451	2FAC	6M61	Fighter		8,201	6	T	118.0 × 3.0 × 4.0	ME995562	
							2	118.0 × 2.0 × 4.1	ME9955608(cyl)	
							O	118.0 × 4.0 × 4.1		
						1cyl/set				
33852	2FAC	6D20	Fuso Truck		10,308	6	T	125.0 × 4.0 × 5.0	HK	30917-01012
		6D21	FD217R,FR117,117FD,I317, NP117,INR117,RP117,K202				2	125.0 × 3.0 × 5.0		30917-01013
			Bus MP117,117H,517,517H				O	125.0 × 6.0 × 5.45		
33881	2FAC	6D20B	Fuso Truck		10,308	6	T	125.0 × 3.3 × 5.4	K	ME052145
		6D21B	FD217R,FP117,117FD, NP117JD,K202				2	125.0 × 3.0 × 5.3		
			Bus MP117,117H,517,517H				O	125.0 × 6.0 × 5.45		
33868	2FAC	6D22	Fuso Truck EP318, FT318,FU318		11,149	6	T	130.0 × 3.296 × 5.4	K	30917-20010
		6D22T	Bus MP118,MP518				2	130.0 × 3.0 × 5.3		ME052124
							O	130.0 × 6.0 × 5.5		
33958	2FAC	6D22-C	Fuso Truck FP308,FP313,MP118,MP518		11,149	6	T	130.0 × 3.0 × 4.95		ME052758
							2	130.0 × 3.0 × 5.3		
							O	130.0 × 6.0 × 5.4		
33916	2FAC	6D22-T	Fuso Truck EP318 Bus MP118,MP518		11,149	6	T	130.0 × 3.296 × 5.4	K	ME052889
							2	130.0 × 3.0 × 5.3		ME995467
							O	130.0 × 4.0 × 4.55		
33927	2FAC	6D22T	Fuso Truck, Bus Fork Lift		11,149	6	T	130.0 × 3.306 × 5.4	K	ME052787
							2	130.0 × 3.0 × 5.3		
							O	130.0 × 6.0 × 5.667		
33960	2FAC	6D24T	Truck			6	T	130.0 × 3.306 × 4.5	K	ME995636
							2	130.0 × 2.5 × 4.7		
							O	130.0 × 4.0 × 4.35		

mitsubishi

TP No.	Type	Engine Model	Vehicle Chassis	Model	CC	No. Cyl.	Position	Size (mm) d1 × h1 × a1	Reference	
33827	2FAC	8DC-2 8DC-4 8DC-7	Fuso Truck		13,273	8	T	130.0 × 4.0 × 5.0	HK	31217-02010
			HV119KD,FP102DR,				2	130.0 × 3.0 × 5.3		ME062109
			112DR,112M				O	130.0 × 6.0 × 5.5		
			T931,T951,T811,T910							
			FQ112,FQ112H,FS119S							
			T931,T901,T911							
			FT102HD,112,119,202S,212S							
			FV112,W122							
			FU102JD,102N,112,112N,119							
			W155,W250,W400,K301							
			119N,123,212,212R							
			K302,K351,K501,K701							
			FV102HR,102JD,112HR,112JD							
K900,K350,B900,B905										
112,113HR,119,119JD,313										
B910,B915,B801,B806										
K252,NV112,112KD,113JR										
NW112KR,T811BR,811P,811ZR										
901CR,901FD,902FD,936D										
956JD,W122,150,250,400										
Bus										
B805N,NA,806K,L,N,905N,NA										
MS512,512N,512NA										
33873	2FAC	8DC-4 8DC-7	Fuso Truck T931,T881,T910		11,149	8	T	130.0 × 3.306 × 5.4	K	ME062298
			FT102,FV112				2	130.0 × 3.0 × 5.3		
			Bus B801,B901				O	130.0 × 6.0 × 5.5		
33439	2FAC	6D40-T				6	T	135.0 × 3.306 × 4.7	K	ME120536
							2	135.0 × 3.0 × 5.5		
							O	135.0 × 4.0 × 4.35		
33457	2FAC	6M70	Aero Star		12,882	6	T	135.0 × 3.306 × 4.7	K	ME995857
			Super Great				2	135.0 × 2.5 × 4.7		ME995855/cyl
							O	135.0 × 4.0 × 4.35		
33849	2FAC	8DC-6 8DC-8	Fuso Truck		14,886	8	T	135.0 × 4.0 × 5.0	HK	31217-60012
			K400,FP103DR,113,FR113				2	135.0 × 3.0 × 5.5		ME062086
			FT103HD,N,FT113				O	135.0 × 6.0 × 5.85		
			HD,N,RP,203S							
			213S,FU103JD,N,113N,203R							
213R,FV103JD,HR,113JD,HR										
313,FW123,M,T812ZR,816ZR										
902CR,FD,906FD,916FD,930CR										
932DR,NW113KR										
Bus										
B907N,NA,S,SA,MS513,R,613										

TP No.	Type	Engine Model	Vehicle Chassis	Model	CC	No. Cyl.	Position	Size (mm) d1 × h1 × a1	Reference
33874	2FAC	8DC-81 8DC-6	FT,FJ,FV		14,886	8	T	135.0 × 3.306 × 5.4 K	ME062022
							2	135.0 × 3.0 × 5.5	ME062246
							O	135.0 × 6.0 × 5.5	ME065684
33869	2FAC	8DC-9 8DC-9T 8DC91	Fuso Diesel Truck Tractor FP215,FV215		16,031	8	T	135.0 × 3.306 × 5.4 K	ME062018
							2	135.0 × 3.0 × 5.5	ME062230
							3	135.0 × 3.0 × 5.5	
							O	135.0 × 6.0 × 5.5	
33888	2FAC	8DC-9 8DC-9T	Fuso Truck FP315,FS313,FT315 FU315,FV315,FW125 Bus MS615		16,031	8	T	135.0 × 4.0 × 5.0 HK	ME062090
							2	135.0 × 3.0 × 5.5	
							3	135.0 × 3.0 × 5.5	
							O	135.0 × 6.0 × 5.546	
33913	2FAC	8DC91T	Fuso Truck FP315,FS313,FT315 FU315,FV315,FW125 Bus MS615		16,031	8	T	135.0 × 3.296 × 5.4 K	ME090578
							2	135.0 × 3.0 × 5.5	
							3	135.0 × 3.0 × 5.5	
							O	135.0 × 4.0 × 4.662	
33915	2FAC	8DC11	KS,Fuso,Aero Bus KC-FV,Super Great		16,752	8	T	142.0 × 3.306 × 5.6 K	30617-5011
							2	142.0 × 3.0 × 5.8	ME090586
							3	142.0 × 3.0 × 5.8	ME999990
							O	142.0 × 4.0 × 4.662	
33978	2FAC	8DC11	KS,Fuso,Aero Bus KC-FV,Super Great		16,752	8	T	142.0 × 3.306 × 5.6 K	30617-5011
							2	142.0 × 3.0 × 5.8	ME090586
							3	142.0 × 3.0 × 5.8	ME999990
							O	142.0 × 4.0 × 4.662	
33452	2FAC	8M20				8	T	146.0 × 3.306 × 5.2 K	ME996163
							2	146.0 × 3.0 × 5.6	
							3	146.0 × 3.0 × 5.7	
							O	146.0 × 4.0 × 4.4	
33453	2FAC	8M21				8	T	150.0 × 3.306 × 5.2 K	ME996167
							2	150.0 × 3.0 × 5.8	
							3	150.0 × 3.0 × 5.8	
							O	150.0 × 4.0 × 4.75	

mitsubishi

TP No.	Type	Engine Model	Vehicle Chassis	Model	CC	No. Cyl.	Position	Size (mm) d1 × h1 × a1	Reference
34090	3F	MA10 MA10ET	March		987	4	T	68.0 × 1.5 × 2.6	12033-01B05
							2	68.0 × 1.5 × 3.1	12033-01B10
							O	68.0 × 2.8 × 2.9	12033-01B11
34197	3F	CG	MARCH		997	4	T	71.0 × 1.2 × 2.5	12033-41B01
							2	71.0 × 1.5 × 3.1	
							O	71.0 × 3.0 × 2.8	
34199	3F	CR12DE	AD/AD EXPERT/March			4	T	71.0 × 1.2 × 2.5	12033-AX001
							2	71.0 × 1.2 × 2.7	12033-AX00A
							O	71.0 × 2.0 × 2.25	
34144	3F	GA13DS			1,200	4	T	71.0 × 1.5 × 2.5	12033-05B10
							2	71.0 × 1.5 × 3.05	12033-05B11
							O	71.0 × 2.8 × 2.75	
34001	3F	A12 J EJ J13 A10 F1 A13 JC	Bluebird		1,299	4	T	73.0 × 2.0 × 3.0	12033-A6200
			P140,410,411,WP410		1,189		2	73.0 × 2.0 × 3.0	12033-B3040
			1200,1300,Pick-Up		1,177		O	73.0 × 4.0 × 3.2	12033-H6200
			320,520,521,A321						12033-H6201
			G521,620,KA321,KPA321						
			SA321,U510,521,620						
			N320,U320,UA321,V320						
			VA320,321,A320,AD320 KA320,SA320 Sunny(100Y,120Y) B10,20,120,KB10,KC20,VB10 Cherry A-KPC20D,B-F11,F10 H-P20S,H-VF10,KF10,KPE10 PE10,VF10,VP10,VPC20S Cabster Pulser(100A,120A) Vanette(C20)						
34067	3F	E10 E10S	Sunny		1,000	4	T	73.0 × 1.5 × 2.7	12033-41M01
			P130,VP130,WP130				2	73.0 × 1.5 × 3.1	12033-41M02
						O	73.0 × 4.0 × 3.25		
34178	3F	EJ5KK				4	T	73.0 × 1.2 × 2.2	12033-AX201
							2	73.0 × 1.2 × 2.8	
							O	73.0 × 2.0 × 2.15	
34081	3F	GA14 GA14S	AD Van		1,400	4	T	73.6 × 1.5 × 2.75	12033-87A00
			R-VY10,VFY10				2	73.6 × 1.5 × 3.2	12033-87A10
						O	73.6 × 2.8 × 2.8		

TP No.	Type	Engine Model	Vehicle Chassis	Model	CC	No. Cyl.	Position	Size (mm) d1 × h1 × a1	Reference
34084	3F	GA15 GA15S	AD Van R-VY10,VFY10		1,400	4	T	73.6 × 1.5 × 2.75	12033-53Y00
							2	73.6 × 1.5 × 3.2	
							O	73.6 × 2.8 × 2.8	
34207	3F	QG15DE					T	73.6 × 1.2 × 2.6	12033-5M370
							2	73.6 × 1.2 × 3.2	
							O	73.6 × 2.5 × 2.65	
34037	3F	A12A	Sunny(120Y),B310,YN10 Pulser(120A)Cherry		1,237	4	T	75.0 × 2.0 × 2.75	12033-H8500
							2	75.0 × 2.0 × 3.2	
							O	75.0 × 4.0 × 3.25	
34606	3F	A14	Sunny(140Y) B310,B-A10,B-KA10,B-HB211 B-KHB211,B-KPF11 Violet(140J) HB310,H-VHB210,HN10,PC PGC121,VHB310,311,VHN 10,11 VYN10,WHB310,A11,LA10 Pulser(140A)		1,397	4	T	76.0 × 2.0 × 2.75	12033-H7200
							2	76.0 × 2.0 × 3.4	12033-H8660
							O	76.0 × 4.0 × 3.25	12033-H8900
									12033-H9910
34038	3F	A15 A14(NEW)	Sunny Pulser Vanette(C20),KHC120		1,487 1,397	4	T	76.0 × 1.2 × 3.1	12033-H7680
							2	76.0 × 2.0 × 3.4	12033-H9800
							O	76.0 × 4.0 × 3.2	12033-H9810
									12033-H9915 12033-H9918
34053	3F	E13 E15 E13S E15S E15-T E16	Sunny(210),AD Van,B11FWD Pulser,AD Van Datsun,AD Van Laurel Spirit SENTRA,rangley		1,270 1,487	4	T	76.0 × 1.5 × 3.2	12033-01M01
							2	76.0 × 1.5 × 3.4	12033-01M02
							O	76.0 × 4.0 × 3.2	12033-01M10
									12033-01M12
									12033-17M00
									12033-17M10 12033-61A00
34082	3F	GA16 GA16DE	Sunny Pulser Premera		1,600	4	T	76.0 × 1.5 × 3.2	12033-57Y00
							2	76.0 × 1.5 × 3.2	12033-57Y01
							O	76.0 × 2.8 × 2.85	12033-84A11
34079	3FAC	GA16-DS 6A16	Blue Bird Carena,Sunny,Pulser		1,600	4	T	76.0 × 1.5 × 2.75	12033-94M00
							2	76.0 × 1.5 × 3.2	12033-94M01
							O	76.0 × 2.8 × 2.75	12033-94M02
34198	3F	QG16DE	PRIMERA 02-			4	T	76.0 × 1.2 × 2.8	12033-7J910
							2	76.0 × 1.2 × 3.2	
							O	76.0 × 2.5 × 2.75	
34112	3F	VQ20 VQ20DE	Cefiro Maxima		1,995	6	T	76.0 × 1.2 × 2.75	12033-31U00
							2	76.0 × 1.2 × 3.2	12033-31U01
							O	76.0 × 2.5 × 3.05	

TP No.	Type	Engine Model	Vehicle Chassis	Model	CC	No. Cyl.	Position	Size (mm) d1 × h1 × a1	Reference
34062	3FAC	CA16S	Auster		1,598	4	T	77.95 × 1.5 × 3.3	12033-D0120
			Stanza				2	77.95 × 1.5 × 3.4	12033-D0400
			Blue Bird				O	77.95 × 4.0 × 3.0	12033-06E00 12033-06E10
34031	3F	J15 J16	Caravan(E20)		1,483	4	T	77.95 × 2.0 × 3.7	12033-01W60
			1500,1600 Pick-Up				2	77.95 × 2.0 × 3.7	12033-01W61
			N521,N620,GN1521,UN521				O	77.95 × 4.0 × 3.95	12033-01W62
			VH521,T20,HT20,VHT20, VV20 Bus GHK20,HE20,H-VSE20 KT20,SVE20,VE20,VHT20						12033-B3030 12033-B8200
34019	3F	L20 L20A	Cedric(200C)		1,998	6	T	77.95 × 2.0 × 3.7	12033-73401
			H130				2	77.95 × 2.5 × 3.7	12033-73402
							O	77.95 × 4.0 × 3.55	
34025	3F	L20A L20A LPG L20ET	Cedric(200C)		1,998	6	T	77.95 × 2.0 × 3.7	12033-E3030
			Gloria				2	77.95 × 2.0 × 3.7	12033-V0300
			Laurel(200L)				O	77.95 × 4.0 × 3.55	12033-V0310
			Skyline(200K) FairladyZ(200Z)						12033-V0400
34059	3F	L20A-2	Cedric		1,998	6	T	77.95 × 1.5 × 3.3	12033-01L00
			H130,HV130,W230,330				2	77.95 × 2.0 × 3.6	
			V230,VH130,W230,WH130				O	77.95 × 4.0 × 3.55	
			Bluebird						
			C-RG810,G610,KG610						
			Skyline2000GT AGC110,GC10,110 KGC10,110,KPC110,WPC110 Gloria HA30,VHA30 Fairlady Z AG610,A-S30,CRG810 S30,SG30,PS30						
34036	3F	L20E L20A (NEW)	Cedric(200C)		1,998	6	T	77.95 × 1.2 × 3.2	12033-Y7000
			Gloria				2	77.95 × 2.0 × 3.7	12033-Y7010
			430,K430,V430,VH430,W430				O	77.95 × 4.0 × 3.65	12033-Y7011
			Fairlady Z(200Z)GS130,S130						
			Leopard PF30 Laurel(200L) HC231,HLC230,KHC231, KHL231 Skyline(200K)K,HGC211						
34177	3F	HR16DE				4	T	78.0 × 1.2 × 2.5	12033-EE000
							2	78.0 × 1.2 × 2.7	
							O	78.0 × 2.0 × 2.4	

TP No.	Type	Engine Model	Vehicle Chassis	Model	CC	No. Cyl.	Position	Size (mm) d1 × h1 × a1	Reference
34061	2FAC	CD17	Sunny Diesel,SB11		1,680	4	T	80.0 × 1.75 × 2.95	12033-16A00
							2	80.0 × 2.0 × 3.3	
							O	80.0 × 3.0 × 3.75	
34195	3F	QG18				4	T	80.0 × 1.2 × 2.85	12033-4M70A
							2	80.0 × 1.2 × 3.4	
							O	80.0 × 2.5 × 2.65	
34131	3F	QG18DE			1,769	4	T	80.0 × 1.2 × 2.85	12033-AV300
							2	80.0 × 1.2 × 3.4	12033-8M100
							O	80.0 × 2.5 × 2.5	
34202	3FAC	QG18DE-2	WINGROAD			4	T	80.0 × 1.5 × 2.9	12033-WD310
			BLUE BIRD				2	80.0 × 1.5 × 3.4	
			SENTRA				O	80.0 × 2.8 × 2.75	
34080	3F	J18	MEXICO NISSAN		1,800	4	T	80.5 × 1.5 × 3.5	12033-J2190
							2	80.5 × 2.0 × 3.7	12033-J21G0
							O	80.5 × 4.0 × 3.2	12033-N7900
34032	3F	G15	Skyline1500		1,484	4	T	82.0 × 2.0 × 3.8	12033-28500
			C10,C10M,S,WT,WC10M				2	82.0 × 2.0 × 3.8	
			VC10M,S				O	82.0 × 4.0 × 3.35	
34063	3F	CA18	Bluebird		1,809	4	T	83.0 × 1.5 × 3.1	12033-01E00
		C18E	Stanza,Auster				2	83.0 × 1.5 × 3.6	12033-01E10
		C18S	Laurel,Skyline				O	83.0 × 4.0 × 3.6	12033-01F00
			Gazella,Siliva						12033-D0210
34180	3FAC	CA18-DET	Gazelle		1,809	4	T	83.0 × 1.5 × 2.9	12033-44F00
							2	83.0 × 1.5 × 3.6	12033-D4210
							O	83.0 × 2.8 × 2.75	12033-17F00
									12033-18F00
									12033-18F10
34066	3FAC	CA18ET	Bluebird V11T		1,809	4	T	83.0 × 1.5 × 2.9	12033-17F00
			Stanza,Auster				2	83.0 × 1.5 × 3.6	12033-18F00
			Gazella turbo				O	83.0 × 2.8 × 2.95	12033-18F10
34023	3F	L16	Bluebird1300		1,296	4	T	83.0 × 2.0 × 3.1	12033-21000
		L13	510,V510,W510				2	83.0 × 2.0 × 3.4	12033-23000
		L14	Bluebird1400				O	83.0 × 4.0 × 3.6	12033-A0600
		Z16	N510,VH510						12033-A3500
			Violet(140J)						12033-A3501
			J710,JK710,VJ710						12033-W0700
			Sunny(140Y)						12033-W7110
			A-PB210,PB210						
			Bluebird1600						
			Violet(160J)						
	Auster								

TP No.	Type	Engine Model	Vehicle Chassis	Model	CC	No. Cyl.	Position	Size (mm) d1 × h1 × a1	Reference
34035	3F	L24 L26	Cedric(240C),ML430		2,393	6	T	83.0 × 2.0 × 3.1	12033-A8620
			Laurel(240L),KMLC230		2,563		2	83.0 × 2.0 × 3.4	12033-E3100
			Skyline(240K),K-MLGC210				O	83.0 × 4.0 × 3.6	12033-E3110
			Fairlady Z(240Z)						12033-W0810
			Cedric(260C)						
			Gloria,Laurel(260L) Fairlady Z(260Z)						
34051	3F	L24E	Bluebird, Maxima		2,393	6	T	83.0 × 1.5 × 3.1	12033-W2400
							2	83.0 × 2.0 × 3.4	12033-W2410
							O	83.0 × 4.0 × 3.6	12033-W2420
34052	3F	L24E-2	Bluebird		2,393	6	T	83.0 × 1.5 × 3.6	12033-W3100
							2	83.0 × 1.5 × 3.6	
							O	83.0 × 4.0 × 3.55	
34022	2F	SD22 SD20	Cedric Diesel(200C)		1,991	4	T	83.0 × 2.5 × 3.15	HK 12033-37500
			Q130,230,330,QG31Y		2,164		2	83.0 × 2.0 × 3.4	12033-76202
			Laurel Diesel(200L)				3	83.0 × 2.0 × 3.4	12033-76203
			Caravan(E20)				O	83.0 × 4.5 × 4.25	12033-76204
			DRGE23,GKRE20				O	83.0 × 4.5 × 3.4	12033-V1310
			VRE20,VRSE20						12033-Y1400
			Caball						12033-Y1401
			DQC240,HQC142,QC141,240						12033-Y1402
			Cabstar						12033-Y1404
			QF21,QLGF20 Diesel Pick-Up S720,SL720,SG720,SLG720						12033-Y1410 12033-Y1412
34054	2F	SD22-2	Truck		2,164	4	T	83.0 × 2.5 × 3.5	12033-R8100
			Q22,40,QC141,240,DQC240				2	83.0 × 2.0 × 3.4	12033-R8103
			HQC142,240				O	83.0 × 4.5 × 4.25	12033-R8104
			Bus						12033-R8110
			GHQC240,658,665						12033-R8112
			GQC240						12033-R8114
34034	2F	SD33	Truck		3,246	6	T	83.0 × 2.5 × 3.15	HK 12033-61500
			QC80,QSC80,DQS80,A,B				2	83.0 × 2.0 × 3.4	12033-61502
			Safari 4WD				3	83.0 × 2.0 × 3.4	12033-61503
			Patrol 4WD				O	83.0 × 4.5 × 4.25	12033-J2200
			KR160,KRL160,JRL160, VRG160				O	83.0 × 4.5 × 3.4	12033-J2202 12033-J2204
34191	2FAC	SD33T	Patrol 4WD		3,246	6	T	83.0 × 2.5 × 3.5	HK 12033-C8702
			Safari 4WD				2	83.0 × 2.0 × 3.4	12033-C8704
							O	83.0 × 4.0 × 3.9	
34162	3F	MR20DE	TIIDA			4	T	84.0 × 1.2 × 2.6	12033-EN200
							2	84.0 × 1.2 × 3.0	12033-CK80A
							O	84.0 × 2.0 × 2.45	12033-EN20A



TF No.	Type	Engine Model	Vehicle Chassis	Model	CC	No. Cyl.	Position	Size (mm) d1 × h1 × a1	Reference	
34056	3FAC	CA20 CA20A CA20S	Bluebird YU11		1,973	4	T	84.5 × 1.5 × 3.6	12033-04E00	
			Cedric NY30				2	84.5 × 1.5 × 3.9	12033-04E10	
			Vanette				O	84.5 × 4.0 × 3.2	12033-D1700 12033-D2000	
34086	3F	CA20(NEW) CA20E	Bluebird		1,973	4	T	84.5 × 1.5 × 3.15	12033-13E00	
							2	84.5 × 1.5 × 3.7	12033-35R00	
							O	84.5 × 2.8 × 2.9	12033-61E10	
34097	2FAC	CD20	Sunny Diesel		1,952	4	T	84.5 × 2.0 × 2.95	12033-57J00	
			Datsun Truck				2	84.5 × 2.0 × 3.5		
							O	84.5 × 3.0 × 3.3		
34039	2F	LD28	Cedric Diesel(280C)		2,792	6	T	84.5 × 2.0 × 3.15	12033-V0700	
			Gloria				2	84.5 × 2.0 × 3.5		
			H430,HL430,KH430,W430				O	84.5 × 4.0 × 4.1		
			Skyline Diesel(280K) EGC211,KEGC211							
34163	3F	J23	TEANA			6	T	85.0 × 1.2 × 3.15		
					2		85.0 × 1.2 × 3.5			
					O		85.0 × 2.0 × 2.25			
34028	3F	L18	Skyline(180K)		1,815	4	T	85.0 × 2.0 × 3.1	12033-78520	
		G16,G18	KPC10,110,PC10,110				1,770	2	85.0 × 2.0 × 3.7	12033-78521
		Z18	VPC10,110,WPC10,110				1,998	O	85.0 × 4.0 × 3.2	12033-A8701
		L20B	Laurel(180L)							12033-A8702
		G4	C30,C30A,C30T,KC30							12033-U6000
			Bluebird							12033-U6001
			AP610,C-PB810,C-PJ810, H510							12033-U6002
			KH510,KP610,P610,U1800							12033-W0805
			1800 Pick-Up							12033-W0815
			KPL720,UPL720 P910,KP910,KML910, WP910 Bluebird ,HL610							12033-W1600
34040	2F	LD20	Bluebird Diesel,VEJ910		1,952	4	T	85.0 × 2.0 × 3.15	12033-W1700	
			Skyline Diesel(200K)				2	85.0 × 2.0 × 3.5		
			VSC211				O	85.0 × 4.0 × 4.1		
34129	2FAC	RD28	Crew		2,825	6	T	85.0 × 2.0 × 3.15	12033-22J11	
			Gloria,skyline				2	85.0 × 2.0 × 3.5		
							O	85.0 × 4.0 × 4.1		
34042	3FAC-T	Z18	Bluebird ,KY910		1,952	4	T	85.0 × 1.5 × 3.1	12033-24G00	
		Z20	Skyline(200K),KVC211				2	85.0 × 1.5 × 3.8	12033-N8510	
		Z20E	Laurel(200L),VC231,KVC231				O	85.0 × 4.0 × 3.2	12033-N8520	
			Silvia(200SX),PS110,KPS110 Vanette(C20),KHE23							

TP No.	Type	Engine Model	Vehicle Chassis	Model	CC	No. Cyl.	Position	Size (mm) d1 × h1 × a1	Reference	
34057	3F	Z20-2 Z20F	Bluebird (200SX)		1,952	4	T	85.0 × 1.2 × 3.1	12033-N8500	
			Silvia				2	85.0 × 1.5 × 3.8		
							O	85.0 × 4.0 × 3.2		
34068	3F	Z20-3	Auster Stanza		1,952	4	T	85.0 × 1.2 × 3.1	12033-04W00	
		Z18-3	FRA11,JF30,KPC231				1,770	2	85.0 × 2.0 × 3.7	12033-D5810
		Z20B	JF30,PC231,P,PG				1,998	O	85.0 × 4.0 × 3.2	
		L20B	WP910,S-KS110							
34007	3F	P	Patrol 4WD,Truck		3,956	6	T	85.69 × 2.5 × 3.7	12033-58003	
			680,681,D680,G680,T680				2	85.69 × 2.5 × 3.7	12033-58004	
			780,D780,G780,S780,T780				O	85.69 × 4.76 × 3.55	12033-58005	
			Bus,E690						12033-C6000	
34170	3FAC	K30 SY31				4	T	86.0 × 1.2 × 3.15	12033-VR300	
							2	86.0 × 1.2 × 3.5		
							O	86.0 × 4.0 × 2.9		
34608	3F	L28 L28F	Cedric(280C)		2,753	6	T	86.0 × 2.0 × 3.1	12033-N4200	
			Laurel(280L)				2	86.0 × 2.0 × 3.6	12033-N4210	
			A-P330,A-SC130,CKN230				O	86.0 × 4.0 × 3.25	12033-N4220	
			CNC230,KP330,KSC130, KNC213						12033-P8360	
		Fairlady Z(280Z)						12033-P8370		
		HS130,HLS130,KHLS130								
		HLGS130,KHLGS130								
		Leopard								
34055	3F	L28-2	Laurel(280Z)		2,753	6	T	86.0 × 1.5 × 3.35	12033-P7900	
		L28-T	Leopard				2	86.0 × 2.0 × 3.6	12033-P7910	
		L28E	Fairlady				O	86.0 × 4.0 × 3.25	12033-P8600	
			Cabster NW40						12033-P8610	
34111	3FAC	NA20				4	T	86.0 × 1.5 × 3.35	12033-3T602	
							2	86.0 × 1.5 × 3.8		
							O	86.0 × 4.0 × 3.25		
34188	3FAC	NA20S	Caravan		2,000	4	T	86.0 × 1.5 × 3.1	12033-85G00	
							2	86.0 × 1.5 × 3.7	12033-85G10	
							O	86.0 × 4.0 × 3.4		
34076	3F	RB30E			3,000	6	T	86.0 × 1.5 × 3.35	12033-67S10	
							2	86.0 × 1.5 × 3.8	12033-B4910	
							O	86.0 × 2.8 × 2.9		
34085	3F	SR20	Bluebird		1,998	4	T	86.0 × 1.5 × 3.35	12033-53J00	
							2	86.0 × 1.5 × 3.8		
							O	86.0 × 3.0 × 2.85		
34186	3F	SR20				4	T	86.0 × 1.2 × 3.0	12033-2J210	
							2	86.0 × 1.2 × 3.7		
							O	86.0 × 2.5 × 2.75		

TP No.	Type	Engine Model	Vehicle Chassis	Model	CC	No. Cyl.	Position	Size (mm) d1 × h1 × a1	Reference
34187	3FAC	SR20-2	Bluebird Silvia 180SX		2,000	4	T	86.0 × 1.2 × 3.1	12033-4M802
							2	86.0 × 1.2 × 3.7	
							O	86.0 × 2.5 × 2.75	
34169	3FAC	TZ3P				4	T	86.0 × 1.5 × 3.2	12033-OH600
							2	86.0 × 1.5 × 3.7	
							O	86.0 × 4.0 × 2.9	
34167	2F	YD22			2,200	4	T	86.0 × 2.0 × 2.95	12033-AW400
							2	86.0 × 2.0 × 3.5	
							O	86.0 × 3.0 × 3.53	
34168	2FAC	YD22-2			2,200	4	T	86.0 × 1.75 × 3.0	HK 12033-WD000
							2	86.0 × 1.5 × 3.1	
							O	86.0 × 3.0 × 3.53	
34103	2FAC	LD23	Serena			4	T	87.0 × 2.0 × 3.45	12033-9C626
							2	87.0 × 2.0 × 3.6	
							O	87.0 × 3.0 × 3.4	
34065	3FAC	VG30	Cedric PY30 Fairlady Gloria		2,960	6	T	87.0 × 1.5 × 3.1	12033-02P10
							2	87.0 × 1.5 × 3.8	12033-03P00
							O	87.0 × 2.8 × 3.1	12033-03P10
									12033-21P10
34189	3FAC	VG30-2	Caraban PY31,KE24,WHYD21,JPY32, Z32,PY32,CZ32		2,960	6	T	87.0 × 1.5 × 3.15	12033-17V00
							2	87.0 × 1.5 × 3.7	12033-17V01
							O	87.0 × 2.8 × 2.9	
34181	3FAC	VG30-DE	Gloria Cedric		2,960	6	T	87.0 × 1.5 × 3.1	12033-F6500
							2	87.0 × 1.5 × 3.7	12033-F6510
							O	87.0 × 2.8 × 3.05	12033-F6511
34150	2FAC	VG30-I	Datsun Truck		2,960	6	T	87.0 × 2.0 × 3.0	12033-15G10
							2	87.0 × 1.5 × 3.7	12033-15V00
							O	87.0 × 2.8 × 2.9	12033-V8000
34050	3FAC	Z22 Z22S Z22E	Datsun Truck Cabster UW40		2,187	4	T	87.0 × 1.5 × 3.7	12033-06W10
		2					87.0 × 1.5 × 4.0	12033-06W20	
		O					87.0 × 4.0 × 3.2	12033-D8500	

TP No.	Type	Engine Model	Vehicle Chassis	Model	CC	No. Cyl.	Position	Size (mm) d1 × h1 × a1	Reference
34017	3F	H20 H20P	Cedric (Y130)		1,982	4	T	87.2 × 2.0 × 4.05	12033-14601
			130,V130,N230,VN230,				2	87.2 × 2.5 × 4.05	12033-R9000
			AN230				O	87.2 × 4.0 × 4.05	12033-R9023
			Silvia(160S)CPS311						12033-Y4460
			Fairlady SP311						
			Bluebird R411						
			President150,250						
			Truck						
			C142,240,D641,660,DC142,						
			240						
			HC240,655,657,662						
			V140,641,A,642,VC655						
			446,A,641,A,V641						
C80,SC80,DSC80									
Bus									
A-KPSE20,CH240,CHWT40									
GC142,240,GHC142,240,									
GHT40									
GHWT40,657,664,H-GKPE20									
KC142,240									
34020	3F	H30	President,150,250		2,974	6	T	87.2 × 2.0 × 4.0	12033-66001
			Cedric(300C),Y130				2	87.2 × 2.5 × 4.0	
							O	87.2 × 4.0 × 3.65	
34030	3F	G20	Laurel(200L)		1,990	4	T	89.0 × 2.0 × 4.3	12033-E6620
			PC30,130,KPC30,130				2	89.0 × 2.0 × 4.3	12033-E6800
							O	89.0 × 4.0 × 3.65	
34114	3F	KA24	Largo		2,388	4	T	89.0 × 1.5 × 3.25	12033-53F01
			MH11,W30				2	89.0 × 1.5 × 3.9	12033-70F00
							O	89.0 × 2.8 × 2.85	
34143	3F	KA24DE			2,488	4	T	89.0 × 1.2 × 3.3	12033-5V110
							2	89.0 × 1.2 × 3.8	
							O	89.0 × 2.5 × 3.05	
34147	3F	KA24DE	Altima		2,388	4	T	89.0 × 1.2 × 3.3	12033-9E000
							2	89.0 × 1.2 × 3.8	
							O	89.0 × 2.5 × 2.75	
34190	3F	QR20DE	Sentra			4	T	89.0 × 1.2 × 3.3	12033-AE003
			Altima				2	89.0 × 1.2 × 3.8	
							O	89.0 × 2.5 × 2.75	
34149	3F	QR25 QR25DE	Altima		2,488	4	T	89.0 × 1.2 × 3.15	12033-8H301
							2	89.0 × 1.2 × 3.8	12033-9H500
							O	89.0 × 2.5 × 2.55	

TP No.	Type	Engine Model	Vehicle Chassis	Model	CC	No. Cyl.	Position	Size (mm) d1 × h1 × a1	Reference
34064	2FAC	SD23 SD25	Atlas NF22 Cedric RY30		2,289 2,488	4	T	89.0 × 2.5 × 3.7	12033-L2000
							2	89.0 × 2.0 × 3.7	12033-L2002
							O	89.0 × 4.5 × 4.2	12033-L2003 12033-L2004
34194	3FAC	TA3I				4	T	89.0 × 1.5 × 3.1	12033-86G00
							2	89.0 × 1.5 × 3.9	12033-86G01
							O	89.0 × 2.8 × 2.85	
34105	2FAC	TD23	Datsun Truck		2,289	4	T	89.0 × 2.5 × 3.35	12033-02N00
							2	89.0 × 2.0 × 3.7	12033-02N10
							O	89.0 × 4.0 × 4.1	12033-02N11
34182	2FAC	YD25			2,500	4	T	89.0 × 2.0 × 3.0	HK 12033-VK520
							2	89.0 × 2.0 × 3.5	
							O	89.0 × 3.0 × 3.55	
34206	2FAC	YD25-2	Navara		2,500	4	T	89.0 × 2.0 × 3.0	HK 12033-EB70A
							2	89.0 × 2.0 × 3.4	
							O	89.0 × 3.0 × 3.35	
34134	2F	YD25TI	Frontier Navara		2,500	4	T	89.0 × 2.0 × 2.95	HK 12033-VK510
							2	89.0 × 2.0 × 3.4	
							O	89.0 × 3.0 × 3.55	
34070	3FAC	Z24	Datsun Truck		2,400	4	T	89.0 × 1.5 × 3.7	12033-10W00
							2	89.0 × 1.5 × 3.9	12033-30W10
							O	89.0 × 4.0 × 3.55	
34077	3FAC	Z24-2	URVAN Datsun Truck		2,400	4	T	89.0 × 2.0 × 3.15	12033-13G10
							2	89.0 × 1.5 × 3.9	12033-83W00
							O	89.0 × 4.0 × 3.25	
34132	3F	VG33	Terrano Elgrand		3,274	6	T	91.5 × 1.5 × 3.25	12033-0W000
							2	91.5 × 1.5 × 4.0	12033-0W010
							O	91.5 × 2.8 × 2.85	
34043	3F	Y40 Y44E	President,H150 President A-H250,C-H251 E-H252,H250,252		3,988 4,414	8	T	92.0 × 2.0 × 4.18	12033-F1100
							2	92.0 × 2.5 × 4.4	12033-F1110
							O	92.0 × 4.0 × 4.1	12033-F2700
34078	2FAC	TD25 AD-4	Datsun Track		2,494	4	T	92.9 × 2.5 × 3.55	12033-44G10
							2	92.9 × 2.0 × 4.0	
							O	92.9 × 4.0 × 3.95	
34095	2FAC	TD25-2	Datsun Track		2,494	4	T	92.9 × 2.5 × 3.55	12033-5T115
							2	92.9 × 2.0 × 4.0	
							O	92.9 × 3.0 × 3.8	
34135	2FAC	TD25T1				4	T	92.9 × 2.5 × 3.55	HK 12033-3S910
							2	92.9 × 2.0 × 4.0	
							O	92.9 × 3.0 × 3.8	
34091	3FAC	VQ30DE	Cedric		3,000	6	T	93.0 × 1.2 × 3.3	12033-47U01
							2	93.0 × 1.2 × 4.0	
							O	93.0 × 2.5 × 2.85	

TP No.	Type	Engine Model	Vehicle Chassis	Model	CC	No. Cyl.	Position	Size (mm) d1 × h1 × a1	Reference
34130	3F	VQ35				6	T 2 O	95.5 × 1.2 × 3.45 95.5 × 1.2 × 4.0 95.5 × 2.5 × 2.5	12033-4W005
34196	3F	VQ35DE	MURANO			6	T 2 O	95.5 × 1.2 × 3.45 95.5 × 1.2 × 4.0 95.5 × 2.5 × 2.65	12033-8J100
34116	2FAC	BD30	Cedric		2,953	4	T 2 O	96.0 × 2.5 × 3.55 96.0 × 2.0 × 4.0 96.0 × 4.0 × 3.95	12033-54T10
34087	3FAC	TB42 TB42E	Safari		4,169	6	T 2 O	96.0 × 2.0 × 3.35 96.0 × 2.0 × 4.2 96.0 × 4.0 × 3.3	12033-03J00
34075	2FAC	TD27 AD-2	Caraban,Hormy		2,700	4	T 2 O	96.0 × 2.5 × 3.55 96.0 × 2.0 × 4.0 96.0 × 4.0 × 3.95	12033-43G10 12033-43G11
34096	2FAC	TD27-2 AD-2	Datsun Track Caraban		2,700	4	T 2 O	96.0 × 2.5 × 3.55 96.0 × 2.0 × 4.0 96.0 × 3.0 × 3.8	12033-6T010
34158	2FAC	TD27-3	Terrano,Patrol		2,700	4	T 2 O	96.0 × 2.5 × 3.75 96.0 × 2.0 × 4.0 96.0 × 3.0 × 3.9	HK 12033-VK610 12033-OW81A
34159	2F	TD27-4	Terrano,Patrol			4	T 2 O	96.0 × 2.5 × 3.75 96.0 × 2.0 × 4.0 96.0 × 2.0 × 2.75	HK 12033-DB010
34092	2FAC	TD27T AD27T	Datsun Truck Caraban		2,700	4	T 2 O	96.0 × 2.5 × 3.75 96.0 × 2.0 × 4.0 96.0 × 4.0 × 3.95	HK 12033-37N10
34098	2FAC	TD42 AD3	Datsun Jeep Safari,Civilian		4,169	6	T 2 O	96.0 × 2.5 × 3.55 96.0 × 2.0 × 4.0 96.0 × 4.0 × 3.95	12033-06J10 12033-06J11
34102	2FAC	TD42T	Datsun,Jeep		4,169	6	T 2 O	96.0 × 2.5 × 3.75 96.0 × 2.0 × 4.0 96.0 × 4.0 × 3.95	HK 12033-05D01
34160	2FAC	TD42T-2	Safari,Civilian			6	T 2 O	96.0 × 2.5 × 3.55 96.0 × 2.0 × 4.0 96.0 × 3.0 × 3.15	HK 12033-DY712
34164	2FAC	ZD30				4	T 2 O	96.0 × 2.0 × 3.0 96.0 × 1.2 × 3.0 96.0 × 2.0 × 2.75	12033-VW211
34166	2F	ZD30T				4	T 2 O	96.0 × 2.5 × 3.7 96.0 × 2.0 × 3.9 96.0 × 2.0 × 2.75	HK 12033-VK610

TP No.	Type	Engine Model	Vehicle Chassis	Model	CC	No. Cyl.	Position	Size (mm) d1 × h1 × a1	Reference	
34137	2FAC	ZD30T ZD30ET BD30T			2,953	4	T	96.0 × 2.5 × 3.75	HK	12033-0W813
							2	96.0 × 2.0 × 4.0		12033-0W814
							O	96.0 × 3.0 × 3.15		12033-2W211
										12033-NA010
34609	2FAC	ED30	Truck DEYC240,DYC240, DYWT40,EYT40 HYC240,JVYC240,Y40 YC240,YWT40 Bus GHYC240,GYC240, GYHT40,GYHWT40		2,956	4	T	98.0 × 3.0 × 4.2		97011-02139
							2	98.0 × 2.0 × 4.2		12033-J2001
							3	98.0 × 2.0 × 4.2		12033-J2002
							O	98.0 × 4.5 × 4.5		12033-J2004
										12033-J2006
34136	2FAC	QD32				4	T	99.2 × 2.5 × 3.75	HK	12033-1W411
							2	99.2 × 2.0 × 4.1		
							O	99.2 × 3.0 × 3.15		
34118	2FAC	QD32NA AD5	Frontier Caraban Dutsun Track		3,200	4	T	99.2 × 2.5 × 3.75		12033-2S610
							2	99.2 × 2.0 × 4.1		
							O	99.2 × 3.0 × 3.75		
34104	3FAC	TB45				6	T	99.5 × 2.0 × 3.55		12033-VB000
							2	99.5 × 1.5 × 4.1		
							O	99.5 × 4.0 × 2.95		
34145	3FAC	TB48DE TB480				6	T	99.5 × 2.0 × 3.55		12033-VC200
							2	99.5 × 1.5 × 4.1		12033-VB000
							O	99.5 × 4.0 × 3.4		
34044	2FAC	ED33	Truck BISON HMC341 CIVIRIAN GHMC341 CLIPPER HMC341 CLIPPER MC341		3,298	4	T	100.0 × 3.0 × 4.2		12033-J6500
							2	100.0 × 2.0 × 4.2		12033-J6501
							O	100.0 × 4.5 × 4.3		12033-T9000
										12033-Z5004
34045	2FAC	FD-6 ED-6	Truck CK85,CM80,85,90 TK80 Bus R80,RM80		5,654	6	T	100.0 × 3.0 × 4.2		12040-Z5005/cyl
							2	100.0 × 2.0 × 4.2		12040-Z5028
							O	100.0 × 4.5 × 4.3		
34610	2FAC	FD-6 ED-6	Truck CK85,CM80,85,90 TK80 Bus R80,RM80		5,654	6	T	100.0 × 3.0 × 4.2		12040-Z5001/cyl
							2	100.0 × 2.0 × 4.2		12040-Z5025
							3	100.0 × 2.0 × 4.2		12040-Z5026/cyl
							O	100.0 × 4.5 × 4.3		12040-Z5027
34146	2FAC	FD6T	Truck Condor		5,654	6	T	100.0 × 3.0 × 4.0	HK	12033-Z5502/cyl
							2	100.0 × 2.0 × 4.2		12040-Z5527
							3	100.0 × 2.0 × 4.2		
							O	100.0 × 4.5 × 4.26		

TP No.	Type	Engine Model	Vehicle Chassis	Model	CC	No. Cyl.	Position	Size (mm) d1 × h1 × a1	Reference	
34157	2FAC	FD6T-2				6	T	100.0 × 3.0 × 4.2	K	12040-Z5525
							2	100.0 × 2.0 × 4.2		12040-Z5526
							3	100.0 × 2.0 × 4.2		12040-Z5501/1CYL
							O	100.0 × 4.5 × 4.5		
34152	2FAC	FD6T(NEW)	Truck		5,654	6	T	100.0 × 3.0 × 4.0	HK	12033-Z5504/cyl
							2	100.0 × 2.0 × 4.2		12040-Z5528
							O	100.0 × 4.5 × 4.26		
34205	2FAC	FD33				4	T	100.0 × 2.0 × 3.9		
							2	100.0 × 2.0 × 4.2		
							O	100.0 × 4.0 × 3.7		
34192	2FAC	ED35	Datsun Truck		3,500	4	T	102.5 × 3.0 × 4.2		12033-56T10
							2	102.5 × 2.0 × 4.2		
							O	102.5 × 4.0 × 4.25		
34094	2FAC	FD35	Condore		3,465	4	T	102.5 × 2.0 × 3.9		12033-01T10
							2	102.5 × 2.0 × 4.2		
							O	102.5 × 4.0 × 4.25		
34093	2FAC	FD35T	Condore		3,465	4	T	102.5 × 3.0 × 4.2	HK	12033-01T60
							2	102.5 × 2.0 × 4.2		
							O	102.5 × 4.0 × 4.25		
34193	2FAC	A500FET				6	T	108.0 × 2.5 × 3.65	HK	12040-Z5561/cyl
							2	108.0 × 2.0 × 4.5		12040-Z5603/cyl
							O	108.0 × 4.0 × 3.6		
34120	2FAC	FD42	Condore			4	T	108.0 × 3.0 × 3.95		12033-0T011
							2	108.0 × 2.0 × 4.5		
							O	108.0 × 4.0 × 3.6		
34121	2FAC	FD46T				4	T	108.0 × 2.5 × 3.65	HK	12033-31D03
							2	108.0 × 2.0 × 4.5		
							O	108.0 × 3.0 × 3.6		
34100	2FAC	FE6	Truck	MK210,CM89,CM87	7,000	6	T	108.0 × 3.0 × 3.95		12040-Z5504
							2	108.0 × 2.0 × 4.5		12040-Z5511
							O	108.0 × 4.0 × 3.6		
34153	2FAC	FE6	Truck	MK210,CM89,CM87	7,000	6	T	108.0 × 3.0 × 3.95		12040-Z5504
							2	108.0 × 2.0 × 4.5		12040-Z5511
							O	108.0 × 4.0 × 3.6		
34101	2FAC	FE6T	Truck	MK250	7,000	6	T	108.0 × 3.0 × 3.95	HK	12040-Z5505
							2	108.0 × 2.0 × 4.5		12040-Z5512
							O	108.0 × 4.0 × 3.6		12040-Z5517
34125	2FAC	FE6T	Truck	MK250	7,000	6	T	108.0 × 3.0 × 3.95	HK	12040-Z5505
							2	108.0 × 2.0 × 4.5		12040-Z5512
							O	108.0 × 4.0 × 3.6		12040-Z5517



TP No.	Type	Engine Model	Vehicle Chassis	Model	CC	No. Cyl.	Position	Size (mm) d1 × h1 × a1	Reference		
34126	2FAC	FE6TA	MK250		6,925	6	T	108.0 × 2.5 × 3.65	HK	12040-Z5519	
							2	108.0 × 2.0 × 4.5		12040-Z5560	
							O	108.0 × 4.0 × 3.6		12040-Z5561	
										12040-Z5564	
									12040-Z5603		
34201	2FAC	FE6T-2				6	T	108.0 × 2.5 × 3.35	HK	12040-Z5608	
							2	108.0 × 2.0 × 3.25			
							O	108.0 × 3.0 × 3.6			
						1cyl/set					
34500	2FAC	ND-6	Bus		6,842	6	T	110.0 × 4.0 × 4.4		12040-90127	
			CK10,PRX102				2	110.0 × 3.0 × 4.4		12040-95004	
							O	110.0 × 5.0 × 4.8		12040-95006	
34115	2FAC	NE6	Truck		7,000	6	T	110.0 × 3.0 × 4.0	HK	12040-95012	
							2	110.0 × 2.5 × 3.9		12040-95013	
							O	110.0 × 4.0 × 4.35		12040-95014	
										12040-95029	
34009	2FT	UD-3	Truck, Bus		3,706	3	T	110.0 × 3.0 × 4.1		12040-90008	
			DU680, DUG680				2	110.0 × 3.0 × 4.1			
			TUG680, UFG681				3	110.0 × 3.0 × 4.1			
			JVR690, JNVR690				4	110.0 × 3.0 × 4.1			
			NVR690				O	110.0 × 4.8 × 4.8			
			U680, 681, 690, UG680				O	110.0 × 4.8 × 4.8			
		681, UR690									
		UD-4	4R82, 92, 104	4,941	4						
			4RA82, 94, 104, 110								
		UD-5	R80, RX102, T80, TC80	6,177	5						
			81, TE81								
			5R94, 104, 110								
		UD-6	5RA94, 104, 110	7,413	6						
5TWDC10, 5TWDC10L											
6R110, 6RA110, 6TC80											
UD-V8	6TW1Z, 6TW12	9,882	8								
	6TWC13, 6TWDC14										
UD-V12	U8RA110	14,825	12								
		WD38									
34171	2FAC	NF				4	T	120.0 × 3.0 × 4.35	HK	12040-95501	
							2	120.0 × 2.5 × 4.8			
							O	120.0 × 4.0 × 4.4			
						1cyl/set					
34183	2FAC	MD92TCI	BigThumb		9,203	6	T	125.0 × 2.5 × 4.2	HK	12040-Z6002	
							2	125.0 × 2.0 × 4.1		12040-Z6004	
							O	125.0 × 3.0 × 3.1			
						1cyl/set					

TP No.	Type	Engine Model	Vehicle Chassis	Model	CC	No. Cyl.	Position	Size (mm) d1 × h1 × a1	Reference	
34501	2FAC	PD-6	Truck, Bus		10,308	6	T	125.0 × 5.0 × 5.2	12040-90026	
			CK20, TK20, CD40				2	125.0 × 3.5 × 5.2	12040-90029	
			CV40, PT81, CW40				O	125.0 × 5.0 × 5.4	12040-96004	
			U20, CB20, TFA21						12040-96026	
									12040-96127	
								12040-96226		
34154	2FAC	PD-6	Truck, Bus		10,308	6	T	125.0 × 5.0 × 5.2	12040-90026	
			CK20, TK20, CD40				2	125.0 × 3.5 × 5.2	12040-90029	
			CV40, PT81, CW40				O	125.0 × 5.0 × 5.4	12040-96004	
			U20, CB20, TFA21						12040-96026	
									12040-96127	
					1cyl/set			12040-96226		
34048	2FAC	PD6T	Truck		10,308	6	T	125.0 × 4.0 × 5.2	K	12040-90028
			CW41				2	125.0 × 3.5 × 5.2		12040-96005/cyl
							O	125.0 × 5.0 × 5.0		12040-96125
										12040-96129
34502	2FAC	PE-6	Truck, Bus		11,670	6	T	133.0 × 4.0 × 5.2	K	12040-90025
			CB30, RB30, CK30				2	133.0 × 3.5 × 5.4		12040-96028
			CK31, CV31, CD32				O	133.0 × 6.0 × 5.7		12040-96128
			V31, UA30, UA31							12040-96531
34155	2FAC	PE-6	Truck, Bus		11,670	6	T	133.0 × 4.0 × 5.2	K	12040-90025
			CB30, RB30, CK30				2	133.0 × 3.5 × 5.4		12040-96028
			CK31, CV31, CD32				O	133.0 × 6.0 × 5.7		12040-96128
			V31, UA30, UA31							12040-96531
									1cyl/set	
34049	2FAC	PE-6T	Truck		11,670	6	T	133.0 × 4.0 × 5.3	HK	12040-96225/cyl
			CD45				2	133.0 × 3.5 × 5.5		12040-96228
							O	133.0 × 6.0 × 5.9		12040-96504
										12040-96509
									12040-96510	
									12040-96512	
									12040-96513	
34088	2FAC	PE6T	CK20, TK20, CD40, CV40		12,000	6	T	133.0 × 3.0 × 4.95	K	12040-96517
			CD45				2	133.0 × 2.5 × 5.4		
							O	133.0 × 4.0 × 4.4		
									1cyl/set	
34161	2FAC	PE-6T	Truck		11,670	6	T	133.0 × 4.0 × 5.3	HK	12040-96228
			CD45				2	133.0 × 3.5 × 5.5		12040-96504
							O	133.0 × 6.0 × 5.9		12040-96509
										12040-96510
									12040-96512	
									1cyl/set	12040-96513
34106	2FAC	PF6	Truck		12,000	6	T	133.0 × 2.5 × 4.2	HK	12040-96564
			Bus				2	133.0 × 2.5 × 5.4		12040-96566
							O	133.0 × 4.0 × 4.4		12040-96570

TP No.	Type	Engine Model	Vehicle Chassis	Model	CC	No. Cyl.	Position	Size (mm) d1 × h1 × a1	Reference	
34122	2FAC	PF6-2	Truck Bus		12,000	6	T	133.0 × 2.5 × 4.2	HK	12040-96564
							2	133.0 × 2.5 × 5.4		12040-96566
							O	133.0 × 4.0 × 4.4		12040-96570
						1cyl/set				
34503	2FAC	RD-8	Diesel Truck, Bus CV50, CW51, CW52 CD52, WD18, WD151 TWA52, RA50 RA51		14,313	8	T	135.0 × 4.0 × 5.1		12040-97007/cyl
							2	135.0 × 3.0 × 5.5		12040-97008/cyl
							O	135.0 × 6.0 × 5.4		12040-90325
										12040-97025
										12040-97026
										12040-97028
						1cyl/set				
34151	2FAC	RD-8	Diesel Truck, Bus CV50, CW51, CW52 CD52, WD18, WD151 TWA52, RA50 RA51		14,313	8	T	135.0 × 4.0 × 5.1		12040-97007/cyl
							2	135.0 × 3.0 × 5.5		12040-97008/cyl
							O	135.0 × 6.0 × 5.4		12040-90325
										12040-97025
										12040-97026
										12040-97028
						1cyl/set				
34504	2FAC	RD-10	Truck, Bus CK60, CW60, CW61 WD23, WG30		17,892	10	T	135.0 × 4.0 × 5.1		12040-90229
							2	135.0 × 3.0 × 5.5		12040-97127
							O	135.0 × 6.0 × 5.7		12040-97227
34107	2FAC	RE8 A400 RE	Truck CW53, CD53, CW510		15,000	8	T	135.0 × 3.0 × 4.95		12040-97079
							2	135.0 × 3.0 × 5.5		
							O	135.0 × 5.0 × 5.0		
34123	2FAC	RE8-2	Truck CW53, CD53, CW510		15,000	8	T	135.0 × 3.0 × 4.95		12040-97079
							2	135.0 × 3.0 × 5.5		
							O	135.0 × 5.0 × 5.0		
						1cyl/set				
34184	2FAC	GE13TD	Big Thumb		13,074	6	T	136.0 × 2.5 × 3.7	HK	12040-00Z07
							2	136.0 × 2.0 × 3.8		
							O	136.0 × 3.0 × 3.65		
						1cyl/set				
34174	2FAC	A790 RF8TI			16,991	8	T	138.0 × 2.5 × 4.1	HK	12040-ND000
							2	138.0 × 2.0 × 4.1		
							O	138.0 × 4.0 × 4.05		
						1cyl/set				
34073	2FAC	RF8	CD520		16,991	8	T	138.0 × 2.5 × 4.95		12040-97072
							2	138.0 × 2.5 × 5.6		12040-97104
							O	138.0 × 4.0 × 4.05		
34124	2FAC	RF8-2	CD520		16,991	8	T	138.0 × 2.5 × 4.95		12040-97072
							2	138.0 × 2.5 × 5.6		12040-97104
							O	138.0 × 4.0 × 4.05		
						1cyl/set				
34108	2FAC	RF8T RFT			16,991	8	T	138.0 × 3.0 × 4.95	HK	12040-97101
							2	138.0 × 2.5 × 5.6		
							O	138.0 × 4.0 × 4.05		

TP No.	Type	Engine Model	Vehicle Chassis	Model	CC	No. Cyl.	Position	Size (mm) d1 × h1 × a1	Reference
34204	2FAC	RF8T-2			16,991	8	T	138.0 × 3.0 × 4.95 HK	12040-97101
							2	138.0 × 2.5 × 5.6	
							O	138.0 × 4.0 × 4.05	
						1cyl/set			
34175	2FAC	A790 RG			17,990	8	T	142.0 × 2.5 × 4.1	12040-ND001
							2	142.0 × 2.0 × 4.1	
							O	142.0 × 4.0 × 4.75	
						1cyl/set			
34109	2FAC	RG8	Truck CW530		17,990	8	T	142.0 × 3.0 × 4.95	12040-97103
							2	142.0 × 2.5 × 5.8	
							O	142.0 × 4.0 × 4.75	
34156	2FAC	RG8	Truck CW530		17,990	8	T	142.0 × 3.0 × 4.95	12040-97103
							2	142.0 × 2.5 × 5.8	
							O	142.0 × 4.0 × 4.75	
						1cyl/set			
34176	2FAC	A790 RH			21,205	8/10	T	150.0 × 2.5 × 4.1	12040-ND003
							2	150.0 × 2.0 × 4.1	
							O	150.0 × 4.0 × 4.75	
						1cyl/set			
34110	2FAC	RH8,10	Tractor		21,205	8/10	T	150.0 × 3.0 × 4.95	12040-97105
							2	150.0 × 2.5 × 5.6	12040-97106
							O	150.0 × 4.0 × 4.75	
						1cyl/set			

TP No.	Type	Engine Model	Vehicle Chassis	Model	CC	No. Cyl.	Position	Size (mm) d1 × h1 × a1	Reference
--------	------	--------------	-----------------	-------	----	----------	----------	---------------------------	-----------

# SUBARU

35223	3F	EN07				4	T	56.0 × 1.2 × 2.3	12033-KA790
							2	56.0 × 1.2 × 2.5	
							O	56.0 × 2.0 × 2.25	
35224	3F	EN				4	T	56.0 × 1.2 × 2.3	12033-KA421
							2	56.0 × 1.2 × 2.5	
							O	56.0 × 2.5 × 2.3	
35514	3F	EK23	Subaru Rex 550		544	2	T	76.0 × 1.5 × 3.4	48003-5400
			K24,K44				2	76.0 × 1.5 × 3.4	
			Subaru Sanba 550 Truck, Van K77,K87				O	76.0 × 2.8 × 2.95	
35520	3FAC	E42	Subaru Rex		700	2	T	78.0 × 1.2 × 3.15	48003-5600
							2	78.0 × 1.5 × 3.45	48003-5610
							O	78.0 × 2.8 × 3.45	
35521	3F	EF10	Subaru Domingo		997	3	T	78.0 × 1.2 × 3.1	48003-5700
							2	78.0 × 1.5 × 3.4	
							O	78.0 × 2.8 × 3.4	
35516	3F	EA65	Subaru 1300		1,298	4	T	83.0 × 2.0 × 3.1	48003-7000
			A65,AB1,AF1,AM1				2	83.0 × 2.0 × 3.4	
					O		83.0 × 4.0 × 3.6		
35522	3F	EA65-2	Subaru 1300		1,298	4	T	83.0 × 1.2 × 3.3	48003-7101
			A65,AM1				2	83.0 × 1.5 × 3.6	
					O		83.0 × 4.0 × 3.45		
35509	3F	EA63	Subaru 1400		1,361	4	T	85.0 × 2.0 × 3.1	38003-0110
			B-A22				2	85.0 × 2.0 × 3.7	
			A22,A32,A62				O	85.0 × 4.0 × 3.2	
35510	3F	EA71	Subaru Leone 1600		1,595	4	T	92.0 × 2.0 × 4.1	38003-4300
		EA81	Subaru Leone 1800		1,781		2	92.0 × 2.0 × 4.1	38003-4320
			AB2,AB3,AM2,3,A33,34,67 AF2,5,B-A26,27,H-A67,AW2				O	92.0 × 4.0 × 3.65	
35517	3F	EA81-2	Subaru Leone 1600		1,595	4	T	92.0 × 1.2 × 3.5	48003-7100
			Sedan				2	92.0 × 1.5 × 3.9	
		EA71-2(NEW)	Subaru Leone 1600 Van Subaru Leone 1800 Sedan		1,781		O	92.0 × 4.0 × 3.65	

TP No.	Type	Engine Model	Vehicle Chassis	Model	CC	No. Cyl.	Position	Size (mm) d1 × h1 × a1	Reference	
35574	ACX	L50			360	2	T	61.0 × 2.0 × 2.2	HK	12140-67810/cyl
							2	61.0 × 2.0 × 2.2	HK	12140-67811/cyl
							3	61.0 × 2.0 × 2.2		
35569	AC	T5A	Fronte FXST20,20,30,AL10	539	3	T	61.0 × 1.2 × 2.6	HK	12140-67011/cyl	
		ST20	Celvo,Jimny 4WD			2	61.0 × 2.0 × 2.5	HK	12140-63871/cyl	
		T5B	Carry Truck, Van						12140-68811/cyl	
		LJ50	SH10,SJ10,LJ50,SS20,SS30							
35579	ACX	Y30				3	T	61.0 × 1.2 × 2.6	HK	12140-72811/cyl
							2	61.0 × 2.0 × 2.5	HK	
35572	3F	F5A	Fronte FS,SS40		543	3	T	62.0 × 1.5 × 2.55		12140-73000/cyl
							2	62.0 × 1.5 × 2.8		12140-73010/cyl
							O	62.0 × 2.8 × 2.85		
35573	3F	F8A	Jimny8 4WD		797	4	T	62.0 × 1.5 × 2.55		12140-73000/cyl
			Carry Truck, Van				2	62.0 × 1.5 × 2.8		12140-73010/cyl
			SJ20,ST90,LJ80 LJ81,ST30,Fronte,Alut				O	62.0 × 2.8 × 2.85		
35582	3F	F6A	Celvo		660	3	T	65.0 × 1.2 × 2.3		12140-51E50/cyl
			Alut Van				2	65.0 × 1.5 × 2.7		
							O	65.0 × 2.5 × 2.5		
35621	3F	F6A-N			660	3	T	65.0 × 1.0 × 2.25		12140-51F10
							2	65.0 × 1.2 × 2.6		
							O	65.0 × 2.0 × 2.5		
35620	3F	F6A-T			660	3	T	65.0 × 1.2 × 2.3		12140-50E50
							2	65.0 × 1.2 × 2.6		
							O	65.0 × 2.5 × 2.55		
35619	3F	Y7AT7			660	3	T	65.0 × 1.2 × 2.3		12140-73D00
							2	65.0 × 1.5 × 2.7		
							O	65.0 × 2.5 × 2.3		
35576	3F	F10A	Jimny Y80,84		970	4	T	65.5 × 1.5 × 2.6		12140-75110/cyl
			SJ410,ST100				2	65.5 × 1.5 × 2.7		12140-75111/cyl
							O	65.5 × 2.8 × 3.0		
35618	3F	K6A			660	3	T	68.0 × 1.0 × 2.6		12140-73601
							2	68.0 × 1.2 × 2.7		
							O	68.0 × 2.0 × 2.45		
35622	3F	K6A				3	T	68.0 × 1.0 × 2.6		12140-73G01
		K10A					2	68.0 × 1.2 × 2.7		
							O	68.0 × 2.0 × 2.45		
35630	3F	K6A	Wagon R			4	T	68.0 × 1.0 × 2.6		
							2	68.0 × 1.2 × 2.7		
							O	68.0 × 2.0 × 2.45		

TP No.	Type	Engine Model	Vehicle Chassis	Model	CC	No. Cyl.	Position	Size (mm) d1 × h1 × a1	Reference	
35570	AC	L60			550	2	T	68.0 × 1.2 × 2.6	HK	12140-67820/cyl
							2	68.0 × 2.0 × 2.5	HK	
35586	3F	SS80	Alto800 Fronte800 Y64,65,ST308 Maruti800		797	3	T	68.5 × 1.5 × 2.6		12140-78411/cyl
							2	68.5 × 1.5 × 2.8		
							O	68.5 × 2.8 × 3.0		
35636	3F	SS80	Alto800 Fronte800 Y64,65,ST308 Maruti800		797	3	T	68.5 × 1.5 × 2.6		12140-78410
							2	68.5 × 1.5 × 2.8		
							O	68.5 × 2.8 × 3.0		
35626	3F	K12A	Swift			4	T	71.0 × 1.0 × 2.3		12140-75F30-000
							2	71.0 × 1.2 × 2.8		
							O	71.0 × 2.0 × 2.5		
35628	3FAC	G10				4	T	72.0 × 1.2 × 2.75		12140-72F00
							2	72.0 × 1.5 × 3.1		
							O	72.0 × 2.8 × 2.8		
35580	3F	G10	Cultus		993	3	T	74.0 × 1.2 × 2.8		12140-82050/cyl
							2	74.0 × 1.5 × 3.2		
		G13A			1,290	4	O	74.0 × 2.8 × 2.85	12140-82051/cyl	
35614	3F	G10				4	T	74.0 × 1.2 × 2.7		12140-82X50
							2	74.0 × 1.5 × 3.2		
		G13A					O	74.0 × 2.8 × 2.85		
35584	3F	G10	Cultus(3cyls/set)		993	3	T	74.0 × 1.2 × 2.8		12140-82050/cyl
							2	74.0 × 1.5 × 3.2		
							O	74.0 × 2.8 × 2.85		
35587	3F	G13A	Cultus(4cyls/set)Y2A, SJ413		1,290	4	T	74.0 × 1.2 × 2.8		12140-82051/cyl
							2	74.0 × 1.5 × 3.2		
							O	74.0 × 2.8 × 2.85		
35598	3F	SR413	Swift(3cyls/set)			3	T	74.0 × 1.2 × 2.7		12140-63E50
							2	74.0 × 1.2 × 3.1		
							O	74.0 × 2.5 × 2.8		
35616	3F	SR413	Swift(4cyls/set)			4	T	74.0 × 1.2 × 2.7		12140-63E50
							2	74.0 × 1.2 × 3.1		
							O	74.0 × 2.5 × 2.8		
35592	3F	E12				4	T	75.0 × 1.2 × 2.75		12140-61G50/cyl
							2	75.0 × 1.2 × 3.2		
		G16U					O	75.0 × 2.5 × 2.7		
35615	3F	G15A				4	T	75.0 × 1.2 × 2.75		12140-61J00
							2	75.0 × 1.2 × 3.2		
							O	75.0 × 2.5 × 2.4		
35583	3F	G16A	Escudo		1,600	4	T	75.0 × 1.2 × 2.75		12140-60A50/cyl
							2	75.0 × 1.5 × 3.2		
							O	75.0 × 2.8 × 2.95		

TP No.	Type	Engine Model	Vehicle Chassis	Model	CC	No. Cyl.	Position	Size (mm) d1 × h1 × a1	Reference
35625	3F	69G M13A	Wagon R, Jimny			4	T	78.0 × 1.2 × 2.75	12140-69G02
							2	78.0 × 1.5 × 3.1	
							O	78.0 × 2.8 × 2.65	
35610	3F	FAO H20A	Escudo		2,000	4	T	78.0 × 1.2 × 2.75	12140-85FA0
							2	78.0 × 1.5 × 3.3	
							O	78.0 × 2.5 × 2.75	
35633	3F	H20A	Escudo		2,000	6	T	78.0 × 1.2 × 2.75	
							2	78.0 × 1.5 × 3.3	
							O	78.0 × 2.5 × 2.75	
35611	3F	LOW				4	T	78.0 × 1.2 × 2.75	12140-54GA0
							2	78.0 × 1.2 × 3.0	
							O	78.0 × 2.5 × 2.3	
35634	3FAC	H25A				6	T	84.0 × 1.2 × 2.75	12140-86FA0
							2	84.0 × 1.5 × 3.5	
							O	84.0 × 2.5 × 2.75	
35617	3FAC	J20A	GRAN VITARA			4	T	84.0 × 1.2 × 2.75	12140-77E00
							2	84.0 × 1.5 × 3.5	
							O	84.0 × 2.5 × 2.75	
35635	3F	J20A-2	SX4/ESCUDE 06-			4	T	84.0 × 1.2 × 2.5	12140-65J00
							2	84.0 × 1.2 × 3.1	
							O	84.0 × 2.5 × 2.5	
35627	3F	H27	Escudo			6	T	88.0 × 1.2 × 3.3	12140-52D00
							2	88.0 × 1.5 × 3.3	
							O	88.0 × 2.8 × 2.65	



Ⓕ No.	Type	Engine Model	Vehicle Chassis	Model	CC	No. Cyl.	Position	Size (mm) d1 × h1 × a1	Reference
-------	------	--------------	-----------------	-------	----	----------	----------	---------------------------	-----------

# TOYOTA

35991	3F	1SZ-FE	Vitz		1,000	4	T	69.0 × 1.2 × 2.3	13011-23040
							2	69.0 × 1.2 × 2.7	13011-23041
							O	69.0 × 2.0 × 2.25	13011-23051
35878	3F	1E 1E-L	Starlet FWD		1,000	4	T	70.5 × 1.5 × 2.75	13011-10070
							2	70.5 × 1.5 × 3.0	13011-10080
							O	70.5 × 3.0 × 2.85	13011-10081
35823	3F	2K	Publica 100		993	4	T	72.0 × 2.0 × 3.4	13011-12010
			PK30,36,36V,40,45,95				2	72.0 × 2.0 × 3.4	13011-12030
			Starlet 1000				O	72.0 × 4.0 × 3.25	13011-12031
36019	3F	2SZ-FE	Vitz, Ractis, BELTA		1,296	4	T	72.0 × 1.2 × 2.3	13011-23060
							2	72.0 × 1.2 × 2.6	
							O	72.0 × 2.0 × 2.25	
36032	3F	3NR	Etios Liva		1,197	4	T	72.5 × 1.0 × 2.5	04130-47010
							2	72.5 × 1.0 × 2.3	
							O	72.5 × 2.0 × 2.45	
36006	2FAC	1ND	Pro Box			4	T	73.0 × 1.5 × 2.55	13011-33041
							2	73.0 × 1.5 × 2.6	
							O	73.0 × 3.0 × 3.4	
35879	3F	2E-U 2E-C	Corolla 1300EE80		1,295	4	T	73.0 × 1.5 × 2.7	13011-11040
			Corona 1300				2	73.0 × 1.5 × 3.1	13011-11041
			Starlet 1300FWD				O	73.0 × 3.0 × 2.55	13011-11060
									13011-11061
								13011-11072	
35919	3F	2E-2			1,295	4	T	73.0 × 1.5 × 2.7	13011-11064
							2	73.0 × 1.5 × 3.1	
							O	73.0 × 3.0 × 2.55	
35883	3F	3E	Corolla		1,300	4	T	73.0 × 1.5 × 2.7	13011-11080
			R-EE106V				2	73.0 × 1.5 × 3.1	13011-11090
							O	73.0 × 3.0 × 2.55	
35954	3F	4E,5E	Corolla		1,300	4	T	74.0 × 1.2 × 2.8	13011-11122
			Starlet				2	74.0 × 1.2 × 3.1	13011-11140
			Vios				O	74.0 × 3.0 × 2.6	13011-11160
35884	3F	1N-T 1N	Corolla, Tercel		1,453	4	T	74.0 × 1.5 × 2.75	HK 13011-55010
			Starlet, Corsa				2	74.0 × 1.5 × 3.3	13011-55011
							O	74.0 × 3.0 × 2.8	

TP No.	Type	Engine Model	Vehicle Chassis	Model	CC	No. Cyl.	Position	Size (mm) d1 × h1 × a1	Reference
35815	3F	3K K	Publica 1000,KE10		1,077	4	T	75.0 × 2.0 × 3.6	13011-22011
			Starlet 1200		1,166		2	75.0 × 2.0 × 3.6	13011-24010
			Sprinter 1200				O	75.0 × 4.0 × 3.2	13011-24011
			Corolla 1200						13011-24012
			DAIHATSU						13011-24020
			Charmant 1200						13011-24030
			DAIHATSU Charmant 1300						
35863	3F	4K 4K-V(EC)	Corolla		1,290	4	T	75.0 × 1.5 × 3.1	13011-13010
			Sprinter				2	75.0 × 1.5 × 3.4	13011-13060
			Starlet				O	75.0 × 4.0 × 3.05	
35896	3F	4K-C	Corolla		1,290	4	T	75.0 × 2.0 × 3.1	13011-13030
			Sprinter				2	75.0 × 2.0 × 3.6	
			Starlet				O	75.0 × 4.0 × 3.2	
35816	3F	M 2M	Crown 2000		1,988	6	T	75.0 × 2.0 × 3.6	13011-41015
			MS41,46,50,52,56,60				2	75.0 × 2.0 × 3.6	13011-41040
			70,Corona Mark II U2000				O	75.0 × 4.0 × 3.15	
			Celica XX 2000						
35858	3F	1G 1G-E 1G-G 1G-G2	Chaser		1,988	6	T	75.0 × 1.5 × 3.1	13011-70010
			Cresta 2000				2	75.0 × 1.5 × 3.4	
			Mark II 200,Crown				O	75.0 × 4.0 × 3.05	
			Soarer 2000GX50,51						
			Celica						
36003	3F	1G-E	Chaser		1,988	6	T	75.0 × 1.5 × 2.9	13011-70030
			Cresta 2000				2	75.0 × 1.5 × 3.4	
			Mark II 200,Crown				O	75.0 × 4.0 × 3.2	
			Soarer 2000GX50,51						
			Celica						
36035	3F	1G-FE	Crown		1,998	6	T	75.0 × 1.2 × 2.5	13011-70110
			Mark II				2	75.0 × 1.2 × 2.8	
			Chaser				O	75.0 × 3.0 × 2.55	
			Cresta						
35981	3FAC	1GX 1G-GE	Crown		2,000	6	T	75.0 × 1.2 × 3.3	13011-70051
			Mark II				2	75.0 × 1.5 × 3.3	
			Cresta				O	75.0 × 4.0 × 2.9	
36046	3F	1NZ-FE-2				4	T	75.0 × 1.0 × 2.3	13011-21091
							2	75.0 × 1.2 × 2.8	
							O	75.0 × 2.0 × 2.5	
35973	2F	1NZ-FXE	Prius		1,496	4	T	75.0 × 1.2 × 2.5	13011-21030
			Funcargo				2	75.0 × 1.2 × 2.8	13011-21070
			Pro box				O	75.0 × 2.0 × 2.75	
35974	3F	2NZ-FE	Vitz		1,298	4	T	75.0 × 1.2 × 2.5	13011-21050
			Funcargo				2	75.0 × 1.2 × 2.8	13011-21041
							O	75.0 × 2.0 × 2.5	

TP No.	Type	Engine Model	Vehicle Chassis	Model	CC	No. Cyl.	Position	Size (mm) d1 × h1 × a1	Reference
35975	3FAC	2NZ-FE-2	Vitz, Yaris Funcargo		1,298	4	T	75.0 × 1.2 × 2.5	13011-21060
							2	75.0 × 1.2 × 2.5	
							O	75.0 × 3.0 × 2.5	
35857	3F	2A	Tercel 1300 Corsa 1300AL11		1,295	4	T	76.0 × 2.0 × 3.7	13011-14010
							2	76.0 × 2.0 × 3.7	13011-14020
							O	76.0 × 4.0 × 3.15	13011-14021
35822	3F	3P 4P	Corona Van1350,PT47V VF Toyo-Ace PK32,32B Hi-Ace PH10,10B,10D,10P 10SV,10V		1,345	4	T	76.6 × 2.0 × 3.5	13011-23010
							2	76.6 × 2.0 × 3.5	13011-23030
							O	76.6 × 4.0 × 3.65	
35854	3F	1A 3A	Corolla 1500 Corona 1500 Sprinter 1500AE70 Tercel 1500 Corsa 1500AL12		1,452	4	T	77.5 × 1.5 × 3.3	13011-15010
							2	77.5 × 1.5 × 3.4	13011-15011
							O	77.5 × 2.8 × 2.75	13011-15020
									13011-15021
									13011-15031
35811	3F	2R	Corona PT56,RT40,46V,50 Hi-Lux ARN10,10D Toyo-Ace PK41,41P,41V Stout PK43,47,47P,47V Bus PH15B		1,490	4	T	78.0 × 2.0 × 3.7	13011-31010
							2	78.0 × 2.5 × 3.6	13011-31030
							O	78.0 × 4.0 × 3.65	13011-31040
35894	3F	5A	Corolla, Sprinter		1,498	4	T	78.7 × 1.5 × 2.8	13011-15050
							2	78.7 × 1.5 × 3.4	
							O	78.7 × 3.0 × 2.8	
35920	3F	5A-F	Corolla		1,500	4	T	78.7 × 1.2 × 3.1	13011-15120
							2	78.7 × 1.5 × 3.4	13011-15100
							O	78.7 × 3.0 × 2.8	
35939	3F	8A	New Charade			4	T	78.7 × 1.2 × 2.7	13011-15130
							2	78.7 × 1.5 × 3.0	
							O	78.7 × 3.0 × 2.65	
35950	3F	1,3,4ZZ ZZ-FE FZZ-FE	Vista Welcab,MR-S Corolla		1,794	4	T	79.0 × 1.2 × 2.7	13011-22030
							2	79.0 × 1.2 × 3.2	13011-22040
							O	79.0 × 3.0 × 2.6	13011-22100
									13011-22111
									13011-22200
			13011-22220						
			13011-22221						
			13011-22230						
			13011-22090						
36021	3F	TZZ-FE				4	T	79.0 × 1.2 × 2.8	13011-22140
							2	79.0 × 1.2 × 3.2	
							O	79.0 × 3.0 × 2.55	

TP No.	Type	Engine Model	Vehicle Chassis	Model	CC	No. Cyl.	Position	Size (mm) d1 × h1 × a1	Reference
35824	3F	T	Celica 1400		1,407	4	T	80.0 × 2.0 × 3.9	13011-25010
			Cerina 1400Deluxe				2	80.0 × 2.0 × 3.9	13011-25020
			Corolla 1400				O	80.0 × 4.0 × 3.7	13011-25032
			Sprinter 1400						13011-25041
			TE20,30,35,45						
35864	3F	T-J	Corolla		1,407	4	T	80.0 × 1.5 × 3.8	13011-25033
		T-U	Starlet				2	80.0 × 2.0 × 3.9	13011-25042
			DAIHATSU Charmant				O	80.0 × 4.0 × 3.65	
35832	3F	4M	Crown 2600,MS65,75		2,563	6	T	80.0 × 2.0 × 3.9	13011-45021
			83,85,95				2	80.0 × 2.0 × 3.9	13011-45040
			Mark II 2600				O	80.0 × 4.0 × 3.65	
			Cressida 2600MX43						
36036	2F	1,2,3ZR				4	T	80.5 × 1.0 × 2.75	13011-37090
					2		80.5 × 1.0 × 2.5	13011-37140	
					O		80.5 × 1.5 × 2.05	13011-37160	
35830	3F	12R	Corona1600		1,587	4	T	80.5 × 2.0 × 3.9	13011-31050
			Corona Van				2	80.5 × 2.0 × 3.9	13011-31051
			Hi-Lux				O	80.5 × 4.0 × 3.65	13011-31060
			Hi-Ace						13011-31061
			Toyo-Ace						13011-31070
			TaftF20						13011-31081
									13011-31090
35907	3FACBC	12R	Corona1600		1,587	4	T	80.5 × 2.0 × 3.9	13011-31051
			Corona Van				2	80.5 × 2.0 × 3.9	13011-31060
			Hi-Lux				O	80.5 × 4.0 × 3.65	13011-31061
			Hi-Ace						13011-31070
			Toyo-Ace						13011-31081
			TaftF20						13011-31090
35861	3F	1S-U	Camry,Carina		1,832	4	T	80.5 × 1.5 × 3.25	13011-63010
		1S-L	Celica,Chaser				2	80.5 × 1.5 × 3.65	13011-63011
		5K	Corona,Corolla				O	80.5 × 4.0 × 3.15	13011-63020
			Vista					13011-63030	
			Lite-Ace, Van Truck					13011-63031	
								13011-13040	
								13011-13050	
				13011-13080					
				13011-13090					
35922	3F	7K	Lite-Ace Truck		1,781	4	T	80.5 × 1.5 × 3.25	13011-13100
			DAIHATSU Delta Van				2	80.5 × 1.5 × 3.65	13011-13110
							O	80.5 × 4.0 × 2.95	13011-13120
35876	3F	4A	CorollaEA82		1,587	4	T	81.0 × 1.5 × 2.75	13011-16010
		4A-G	Sprinter				2	81.0 × 1.5 × 3.4	13011-16011
		4A-L					O	81.0 × 2.8 × 2.9	13011-16031
		4A-C						13011-16032	

TP No.	Type	Engine Model	Vehicle Chassis	Model	CC	No. Cyl.	Position	Size (mm) d1 × h1 × a1	Reference
35908	3F	4AF	Corolla		1,600	4	T	81.0 × 1.5 × 2.75	13011-16130
							2	81.0 × 1.5 × 3.4	13011-16140
							O	81.0 × 3.0 × 2.85	13011-16150
35913	3F	4AFE	Corolla		1,600	4	T	81.0 × 1.2 × 2.8	13011-16280
							2	81.0 × 1.5 × 3.4	13011-16290
							O	81.0 × 3.0 × 2.85	13011-16300
								13011-16340	
35951	3F	4AGEU	Corolla,AT190,AE101		1,600	4	T	81.0 × 1.5 × 2.75	13011-16050
							2	81.0 × 1.5 × 3.4	13011-16090
							O	81.0 × 2.8 × 2.9	13011-16180
35910	3F	4AGE	Corolla Sprinter		1,587	4	T	81.0 × 1.2 × 2.8	13011-16200
							2	81.0 × 1.5 × 3.4	13011-16210
							O	81.0 × 2.8 × 2.9	13011-16190
35976	3F	4AG	Corolla		1,587	4	T	81.0 × 1.2 × 2.8	13011-16350
							2	81.0 × 1.5 × 3.4	
							O	81.0 × 3.0 × 2.85	
35989	3F	N4AG	Corolla		1,600	4	T	81.0 × 1.2 × 3.25	13011-16230
							2	81.0 × 1.5 × 3.4	
							O	81.0 × 3.0 × 2.6	
35938	3F	7A-FE	Carina,Corona Premio		1,762	4	T	81.0 × 1.5 × 2.75	13011-16320
							2	81.0 × 1.5 × 3.4	13011-16330
							O	81.0 × 3.0 × 2.85	
36040	3F	2ZZ-GE	Corolla		1,796	4	T	82.0 × 1.2 × 2.9	13011-88601
							2	82.0 × 1.2 × 3.1	
							O	82.0 × 3.0 × 2.55	
35977	2FAC	1CD				4	T	82.2 × 2.0 × 2.9	13011-27030
							2	82.2 × 1.5 × 2.7	
							O	82.2 × 3.0 × 3.55	
35996	2FAC	1CDA	Corolla		2,000	4	T	82.2 × 2.0 × 2.7	13011-27040
							2	82.2 × 1.5 × 2.7	
							O	82.2 × 3.0 × 3.55	
35917	3F	4S	Caldina Camry Vista		1,838	4	T	82.5 × 1.5 × 3.1	13011-74110
							2	82.5 × 1.5 × 3.8	13011-74120
							O	82.5 × 4.0 × 2.9	13011-74121
35859	3F	5M 5M-E(U)	Crown2800,MS112 CelicaXX2800,MA56		2,759	6	T	83.0 × 2.0 × 3.5	13011-43010
							2	83.0 × 2.0 × 3.9	13011-43030
							O	83.0 × 4.0 × 3.15	
35860	3F	5M-GEU 5M-GE (ECE)	Celica2800GT Crown2800 Soarer2800GT		2,759	6	T	83.0 × 1.5 × 3.1	13011-43050
							2	83.0 × 1.5 × 3.6	13011-43080
							O	83.0 × 4.0 × 3.15	
35893	3F	7M	Crown,Soarer		2,954	6	T	83.0 × 1.5 × 3.1	13011-42010
							2	83.0 × 1.5 × 3.6	13011-42020
							O	83.0 × 4.0 × 3.15	13011-42030
									13011-42040

TP No.	Type	Engine Model	Vehicle Chassis	Model	CC	No. Cyl.	Position	Size (mm) d1 × h1 × a1	Reference	
35842	3F	4V	Century		3,376	8	T	83.0 × 2.0 × 3.1	13011-52010	
							2	83.0 × 2.0 × 3.4		
							O	83.0 × 4.0 × 3.6		
35865	2FAC	1C 1C-T	Carina		1,839	4	T	83.0 × 2.0 × 3.3	HK	13011-64010
			Corolla				2	83.0 × 2.0 × 3.8		13011-64020
			Corona CT147				O	83.0 × 4.0 × 4.0		13011-64040
			Sprinter							13011-64070
			Town-Ace CR26							13011-64080
35900	3FAC	1C-A	Corolla		1,839	4	T	83.0 × 2.0 × 3.15	HK	13011-64130
							2	83.0 × 2.0 × 3.6		13011-64220
							O	83.0 × 3.0 × 2.8		
35923	2FAC	1C-T	Corolla		1,839	4	T	83.0 × 2.0 × 3.3	HK	13011-64070
							2	83.0 × 2.0 × 3.8		
							O	83.0 × 4.0 × 2.45		
35853	3F	21R 21R-U	Corona2000,RT133		1,972	4	T	84.0 × 1.5 × 3.1		13011-37030
			Mark II/Cressida				2	84.0 × 2.0 × 3.7		13011-37050
			Chaser,RX41				O	84.0 × 4.0 × 3.15		13011-37060
			Celica,RA45 Camry,RA56							
35880	3F	21R-2 21R-C 21R-V	Cressida RX70		1,972	4	T	84.0 × 1.5 × 3.1		13011-37070
							2	84.0 × 1.5 × 3.6		13011-37071
							O	84.0 × 4.0 × 3.15		
35866	3F	2S 2S-C	Camry SV11		1,995	4	T	84.0 × 1.5 × 3.1		13011-74010
			Vista				2	84.0 × 1.5 × 3.6		13011-74020
							O	84.0 × 4.0 × 3.15		13011-74030
										13011-74040
										13011-74041
35825	3F	2T 2T-G 3T 12T	Corona1600,A-TT10D,11D		1,588	4	T	85.0 × 2.0 × 4.0		13011-26020
			Celica TA22,27,A9TA23,28				2	85.0 × 2.0 × 4.0		13011-26040
			Carina TA19V				O	85.0 × 4.0 × 3.65		13011-26041
			Corolla 1600ST TE21,27,41,47,A-TE31,37 41,47,H-TT106V,TT106V							13011-27020
35958	3F	3T	Corolla			4	T	85.0 × 1.5 × 3.3		13011-28010
			Carina/camry/Celica				2	85.0 × 1.5 × 3.8		13011-28011
							O	85.0 × 4.0 × 3.2		13011-28012
										13011-28020
										13011-28030
										13011-28031
										13011-28070
					13011-28071					
36043	2FAC	1JZ-FSE	Mark II		2,491	6	T	86.0 × 1.2 × 2.9		13011-46070
			CROWN				2	86.0 × 1.2 × 3.1		
							O	86.0 × 2.0 × 2.75		

TP No.	Type	Engine Model	Vehicle Chassis	Model	CC	No. Cyl.	Position	Size (mm) d1 × h1 × a1	Reference
36009	2FAC	1,2DZ				4	T	86.0 × 2.0 × 3.15	HK 13011-78202-71
							2	86.0 × 2.0 × 3.1	
							O	86.0 × 3.0 × 3.4	
35960	2F	1TR	Hiace Ban		2,000	4	T	86.0 × 1.2 × 2.7	13011-75100
			Toyo Ace				2	86.0 × 1.2 × 3.1	13011-75120
							O	86.0 × 2.0 × 2.75	
35820	3F	6R	Corona		1,707	4	T	86.0 × 2.0 × 3.9	13011-33010
			RT60,61,70,71,76,77,84,94		1,591		2	86.0 × 2.5 × 3.9	13011-33020
			RT88V,RX10,20,26,RX16V		1,858		O	86.0 × 4.0 × 3.65	13011-33021
			Corona Mark II RT62H,62K,72H,72K,72S						13011-33022 13011-33030
35902	3F	3S	Corona		1,998	4	T	86.0 × 1.5 × 3.3	13011-74070
							2	86.0 × 1.5 × 3.8	13011-74072
							O	86.0 × 4.0 × 2.9	13011-74091 13011-74280
35885	3F	3SFE(C)	Vista,Caldina, Carina,Corona		1,998	4	T	86.0 × 1.5 × 3.35	13011-74080
							2	86.0 × 1.5 × 3.8	13011-74081
							O	86.0 × 4.0 × 2.9	
35942	3F	3S-F	Vista,Caldina, Carina,Corona		1,998	4	T	86.0 × 1.5 × 3.35	13011-74131
			Town Ace, Lite Ace				2	86.0 × 1.5 × 3.8	
							O	86.0 × 4.0 × 2.9	
35984	3F	3S-FE	Vista,Camry Corona		1,998	4	T	86.0 × 1.2 × 2.7	13011-74320
							2	86.0 × 1.2 × 3.1	13011-74340
							O	86.0 × 3.0 × 2.85	13011-74361
35962	2FAC	3S-FSE	Nadia Town-Ace Lite-Ace		2,000	4	T	86.0 × 1.2 × 2.7	13011-74400
							2	86.0 × 1.2 × 3.4	
							O	86.0 × 2.0 × 2.75	
35995	3F	3S-G			2,000	4	T	86.0 × 1.2 × 3.05	13011-88363
							2	86.0 × 1.5 × 3.6	13011-88380
							O	86.0 × 4.0 × 3.2	
35963	3F	1AZ	Rav4 Corolla runx		2,000	4	T	86.0 × 1.2 × 2.7	13011-28120
							2	86.0 × 1.2 × 3.1	13011-28121
							O	86.0 × 2.0 × 2.5	13011-28210 13011-28220
35997	2FAC	1AZ-D4	Premio,Allion,Caldina,Wish Avensis,Isis,Noah,Voxy		2,000	4	T	86.0 × 1.2 × 2.9	13011-28110
							2	86.0 × 1.2 × 3.1	13011-28200
							O	86.0 × 2.0 × 2.75	
36030	3FAC	1AZ	Wish		1,998	4	T	86.0 × 1.2 × 2.9	13011-28130
							2	86.0 × 1.2 × 2.9	
							O	86.0 × 3.0 × 2.7	
35904	3F	1RZ	Hi-Ace		1,998	4	T	86.0 × 1.75 × 3.35	13011-75020
							2	86.0 × 1.5 × 3.6	13011-75010
							O	86.0 × 4.0 × 3.2	

TP No.	Type	Engine Model	Vehicle Chassis	Model	CC	No. Cyl.	Position	Size (mm) d1 × h1 × a1	Reference
35869	3FAC	1Y	Hi-Lux YN50,55		1,626	4	T	86.0 × 1.5 × 3.5	13011-71010
			Dyna YU60,70,80		1,812	2	86.0 × 1.5 × 4.0	13011-71020	
			Town Ace YR26		1,998	O	86.0 × 4.0 × 3.15	13011-71030	
			Master Ace, YR20					13011-71031	
			YM21					13011-71040	
Hi-Ace YH51,61						(13011-71033)			
YR21									
35930	3FAC	1Y(NEW)	Hi-Lux		1,626	4	T	86.0 × 1.5 × 3.35	13011-71033
			Town Ace		1,998	2	86.0 × 1.5 × 4.0		
						O	86.0 × 4.0 × 3.2		
35946	3F	2JZ-GE 1JZ-GE	Crown, Progres,		2,997	6	T	86.0 × 1.5 × 3.35	13011-46040
			Aristo			2	86.0 × 1.5 × 3.8	13011-46041	
			Supra			O	86.0 × 4.0 × 2.9	13011-46030	
							13011-46050		
35964	2FAC	2JZ-D4	Crown		2,997	6	T	86.0 × 1.2 × 2.7	13011-46060
			Aristo			2	86.0 × 1.2 × 3.4	13011-46061	
						O	86.0 × 2.0 × 2.75		
35877	3FAC	2C-T	Town Ace CR21		1,974	4	T	86.0 × 2.0 × 3.15	HK 13011-64150
			DAIHATSU Delta			2	86.0 × 2.0 × 3.1	13011-64060	
						O	86.0 × 4.0 × 3.2	13011-64150	
35911	2FAC	2C-A	Corolla		1,974	4	T	86.0 × 1.75 × 2.95	HK 13011-64170
			Master Ace			2	86.0 × 2.0 × 3.1		
			CE100, CT141, CV30, CHR11G			O	86.0 × 3.0 × 3.4		
35924	2FAC	2C-2	Corolla		1,974	4	T	86.0 × 2.0 × 3.15	HK 13011-64190
			Master Ace			2	86.0 × 2.0 × 3.1		
						O	86.0 × 3.0 × 3.4		
35965	2FAC	2C-T-2	Carina, Estima		1,974	4	T	86.0 × 2.0 × 3.15	HK 13011-64210
						2	86.0 × 2.0 × 3.1		
						O	86.0 × 3.0 × 3.4		
35912	2FAC	2.3C-T	Carina, Estima		2,000	4	T	86.0 × 2.0 × 3.15	HK 13011-64212
			Emina			2	86.0 × 2.0 × 3.1	13011-64213	
			Tamaraw FX			O	86.0 × 3.0 × 3.4		
35966	2FAC	3C-T	Town Ace		2,200	4	T	86.0 × 2.0 × 3.51	HK 13011-64230
			Lite Ace			2	86.0 × 2.0 × 3.1		
						O	86.0 × 3.0 × 3.4		
35925	2FAC	1DZ	Estima		2,184	4	T	86.0 × 2.0 × 3.15	HK 13011-78200-71
						2	86.0 × 2.0 × 3.6	HK	
						O	86.0 × 4.0 × 3.4		
36016	2F	2AD AD				4	T	86.0 × 2.0 × 2.9	13011-26090
						2	86.0 × 1.5 × 2.9	13011-26100	
						O	86.0 × 2.0 × 2.75	13011-26110	
35940	2FAC	2DZ	Estima		2,184	4	T	86.0 × 2.0 × 3.15	HK 13011-78201-71
						2	86.0 × 2.0 × 3.7		
						O	86.0 × 4.0 × 4.25		



TF No.	Type	Engine Model	Vehicle Chassis	Model	CC	No. Cyl.	Position	Size (mm) d1 × h1 × a1	Reference
36034	2F	1VD-FTV				8	T	86.0 × 2.0 × 2.9	13011-51030
							2	86.0 × 1.5 × 2.9	13011-51031
							O	86.0 × 2.0 × 2.75	13011-51032
36000	3F	Y-P	Crown, Crown Comfort		2,000	4	T	86.0 × 1.5 × 3.1	13011-73071
							2	86.0 × 1.5 × 3.6	
							O	86.0 × 4.0 × 2.9	
35988	3FAC	5S-FE	Camry Harrier		2,163	4	T	87.0 × 1.5 × 3.5	13011-74150
							2	87.0 × 1.5 × 3.6	
							O	87.0 × 3.0 × 2.8	
35921	3FAC	5SFE2	Scepter, Camry Harrier		2,163	4	T	87.0 × 1.5 × 3.5	13011-74290
							2	87.0 × 1.5 × 3.6	13011-74260
							O	87.0 × 4.0 × 2.7	13011-74261
35943	3FAC	5SFE2-2	Scepter, Camry, Harrier		2,163	4	T	87.0 × 1.5 × 3.35	13011-74300
							2	87.0 × 1.5 × 3.6	
							O	87.0 × 4.0 × 2.7	
35944	3F	5SFE3	Scepter, Camry, Harrier		2,163	4	T	87.0 × 1.2 × 2.9	13011-74370
							2	87.0 × 1.2 × 3.4	13011-74380
							O	87.0 × 3.0 × 2.6	13011-74410
35935	3F	1MZ-FE	Windom, Abaron		2,994	6	T	87.5 × 1.2 × 2.9	13011-20010
							2	87.5 × 1.2 × 3.4	13011-20012
							O	87.5 × 3.0 × 2.6	13011-20020
36027	3F	1UZ	Celsior, Lexus		3,968	8	T	87.5 × 1.2 × 2.7	13011-50110
							2	87.5 × 1.2 × 3.3	
							O	87.5 × 3.0 × 2.6	
35947	3F	1UZ-FE	Celsior, Crown Majesta		3,968	8	T	87.5 × 1.5 × 3.15	13011-50040
							2	87.5 × 1.5 × 3.8	
							O	87.5 × 3.0 × 2.65	
35948	3FAC	1UZ-FE-2	Celsior, Crown Majesta		3,968	8	T	87.5 × 1.5 × 3.15	13011-50060
							2	87.5 × 1.5 × 3.6	
							O	87.5 × 3.0 × 2.65	
36026	3F	2MZ	Windom		2,500	6	T	87.5 × 1.2 × 2.9	13011-20050
							2	87.5 × 1.2 × 2.7	
							O	87.5 × 3.0 × 2.6	
35998	2FAC	3GR-D4	Crown, Mark X, Lexus GS		3,000	6	T	87.5 × 1.2 × 2.7	13011-31110
							2	87.5 × 1.2 × 2.7	13011-31170
							O	87.5 × 2.0 × 2.75	
36020	3F	3GR-FE	Crown, IS300, GS300		2,994	6	T	87.5 × 1.2 × 2.7	13011-31180
							2	87.5 × 1.2 × 2.7	
							O	87.5 × 2.0 × 2.5	
35934	3F	3VZ-FE	Hi-lux, VCV10		2,958	6	T	87.5 × 1.5 × 3.35	13011-62060
							2	87.5 × 1.5 × 3.8	13011-65021
							O	87.5 × 4.0 × 2.9	

TP No.	Type	Engine Model	Vehicle Chassis	Model	CC	No. Cyl.	Position	Size (mm) d1 × h1 × a1	Reference
36031	3F	3VZ-FE 4VZ-FE	Camry		2,958	6	T	87.5 × 1.5 × 3.3	13011-62040
			Windom				2	87.5 × 1.5 × 3.8	13011-62080
							O	87.5 × 3.0 × 2.6	
35810	3F	5R	Crown RS50,50B		1,994	4	T	88.0 × 2.0 × 4.2	13011-44011
			Coaster				2	88.0 × 2.5 × 4.2	13011-44032
			Dyna				O	88.0 × 4.0 × 3.65	13011-44040
			RK171,171V-B						13011-44042
			176H,176V-HB						13011-44043
			Stout RK101,101K						13011-44060
			DAIHATSU Delta						13011-44061
			V30,31,34						13011-44062
									13011-44063
				13011-44073					
35905	3FAC	5R	Crown RS50,50B		1,994	4	T	88.0 × 2.0 × 4.2	13011-44011
			Coaster				2	88.0 × 2.5 × 4.2	13011-44032
			Dyna				O	88.0 × 4.0 × 3.65	13011-44040
			RK171,171V-B						13011-44042
			176H,176V-HB						13011-44043
			Stout RK101,101K						13011-44060
			DAIHATSU Delta						13011-44061
			V30,31,34						13011-44062
									13011-44063
				13011-44073					
35813	3PSBC	J 2J	Dyna Diesel		2,336	4	T	88.0 × 2.5 × 3.8	13011-46021
			JK170DH,171DH				2	88.0 × 2.5 × 3.8	
			175,176				3	88.0 × 2.5 × 3.8	
			Dyna Bus JK170B,171B				O	88.0 × 4.0 × 3.8	
							O	88.0 × 4.0 × 3.8	
35837	2F3PS	J 2J	Dyna Diesel		2,481	4	T	88.0 × 2.5 × 3.8	HK 13011-48013
			Coaster Diesel				2	88.0 × 2.5 × 3.8	13011-48021
			Fork Lift				3	88.0 × 2.5 × 3.8	
							O	88.0 × 4.0 × 4.0	
35838	2FAC	2J(NEW)	Dyna Diesel		2,841	4	T	88.0 × 2.54 × 3.8	HK 13011-48022
			Toyo-Ace Diesel				2	88.0 × 2.5 × 3.8	13011-48023
			JV10JY16,30				O	88.0 × 4.0 × 4.0	13011-48030
35827	3PSBC	H	Dyna Diesel		3,576	6	T	88.0 × 2.54 × 3.8	HK 13011-47020
			HV15				2	88.0 × 2.5 × 3.8	
							3	88.0 × 2.5 × 3.8	
							O	88.0 × 4.0 × 3.8	
							O	88.0 × 4.0 × 3.8	
35848	2F3PS	H	Dyna Diesel		3,576	6	T	88.0 × 2.54 × 3.8	HK 13011-47021
			HU15-H				2	88.0 × 2.5 × 3.8	
							3	88.0 × 2.5 × 3.8	
							O	88.0 × 4.0 × 4.0	

TP No.	Type	Engine Model	Vehicle Chassis	Model	CC	No. Cyl.	Position	Size (mm) d1 × h1 × a1	Reference
35839	2FAC	H(NEW)	Dyna Diesel HU30		3,576	6	T	88.0 × 2.54 × 3.8	HK 13011-47022
			Land Cruiser HJ45				2	88.0 × 2.5 × 3.8	13011-47023
							O	88.0 × 4.0 × 4.0	
35831	3F	18R	Corona		1,808	4	T	88.5 × 2.0 × 4.2	13011-38010
			Corona Mark II				2	88.5 × 2.5 × 4.2	13011-38020
			Cressida				O	88.5 × 4.0 × 3.65	13011-38040
			Carina						13011-38060
			Hi-Lux						13011-34012
			Hi-Ace						13011-34013
			Celica2000GT,RA40						13011-34020
Coaster RB11,12				13011-34022					
				13011-34021					
				13011-34030					
				13011-34050					
35849	2F3PS	20R	Coaster		1,968	4	T	88.5 × 2.0 × 4.2	13011-38030
							2	88.5 × 2.5 × 4.2	
							O	88.5 × 4.0 × 4.0	
							O	88.5 × 4.0 × 4.0	
36042	2F	2AZ	RAV4		2,362	4	T	88.5 × 1.0 × 2.7	13011-28160
			MARK X				2	88.5 × 1.0 × 2.7	13011-28161
			Velfire				O	88.5 × 2.0 × 2.75	13011-28190
									13011-0H040
								13011-0H041	
								13011-28240	
35967	3F	2AZ-FE	Camry,Ipsam,Estima,Rav4		2,400	4	T	88.5 × 1.2 × 2.7	13011-28151
			Harrier,Kluger,Alphard				2	88.5 × 1.2 × 3.2	13011-0H020
							O	88.5 × 2.0 × 2.5	13011-28101
								13011-28102	
35806	3F	F	Truck		3,878	6	T	90.0 × 3.0 × 3.7	13011-60011
			FA80,80D,90,90D,95,100				2	90.0 × 3.0 × 3.7	13011-69021
			100D				O	90.0 × 4.0 × 3.65	
			110,110D,115,115C,FC100,				O	90.0 × 4.0 × 3.7	
			100C						
Land Cruiser									
FJ40,40V,43,43V,45V,55V,									
2FQ10									
Bus									
FB80,100,100C									
35835	3F	F(NEW)	Truck		3,878	6	T	90.0 × 2.0 × 4.0	13011-60040
			Bus				2	90.0 × 2.5 × 4.0	
			Land Cruiser				O	90.0 × 4.0 × 3.65	
							O	90.0 × 4.0 × 4.0	

TP No.	Type	Engine Model	Vehicle Chassis	Model	CC	No. Cyl.	Position	Size (mm) d1 × h1 × a1	Reference
35850	2FAC	L	Crown Diesel LS110,		2,188	4	T	90.0 × 2.5 × 3.55	13011-54010
			110G,117				2	90.0 × 2.0 × 3.9	13011-54020
			Mark II/Cressida LX40				O	90.0 × 4.0 × 4.2	13011-54021
			Hi-Ace Van,Truck						
			Hi-Lux LN40						
			Toyo-Ace LY20,30						
			Blizzard(Jeep)LD10						
35862	2FAC	L(NEW)	Blizzard(Jeep)		2,188	4	T	90.0 × 2.0 × 3.35	HK 13011-54030
			Chaser				2	90.0 × 2.0 × 3.9	13011-54031
			Coaster				O	90.0 × 4.0 × 4.2	13011-54032
			Crown						13011-54040
			Hi-Ace						13011-54041
			Hi-Lux						13011-54042
			Mark II						13011-54080
			Toyo-Ace						
35887	3FAC	4Y	For Leaded		2,208	4	T	91.0 × 1.5 × 3.35	13011-73020
							2	91.0 × 1.5 × 4.0	13011-73030
							O	91.0 × 4.0 × 2.9	13011-73031
									(13011-73032)
								13011-73040	
35932	3FAC	4Y(NEW)	For Leaded		2,208	4	T	91.0 × 1.5 × 3.35	13011-73032
							2	91.0 × 1.5 × 4.0	
							O	91.0 × 4.0 × 2.9	
35856	2FACBC	2H	Dyna Diesel		3,980	6	T	91.0 × 2.54 × 4.0	HK 13011-96601
			Land Cruiser				2	91.0 × 2.5 × 4.0	13011-68010
			Fork Lift				O	91.0 × 4.0 × 3.5	13011-68020
35886	2FAC	12H-T	Dyna Cruiser HJ61V		3,980	6	T	91.0 × 2.5 × 3.55	HK 13011-68030
			Bus Diesel				2	91.0 × 2.5 × 4.0	
			Coaster				O	91.0 × 4.0 × 3.5	
35986	2FAC	2KD	Hi-lux			4	T	92.0 × 2.0 × 2.9	13011-30030
							2	92.0 × 1.5 × 2.85	13011-30031
							O	92.0 × 3.0 × 3.15	
36049	2FAC	2KDFTV				4	T	92.0 × 2.0 × 2.9	HK 13011-0L070
							2	92.0 × 1.5 × 2.85	
							O	92.0 × 3.0 × 2.95	
35852	3FACBC	22R	Coaster		2,400	4	T	92.0 × 2.0 × 4.2	13011-35010
		22R-A	Celica				2	92.0 × 2.5 × 4.2	13011-35020
		22R-B					O	92.0 × 4.0 × 3.15	13011-35030
35881	3FAC	22R-2	Coaster RB20		2,400	4	T	92.0 × 1.5 × 3.35	13011-35040
		22R-E	Land Cruiser				2	92.0 × 1.5 × 4.0	13011-35050
							O	92.0 × 4.0 × 3.2	13011-35052
								13011-35060	
								13011-35061	
					13011-35070				

TP No.	Type	Engine Model	Vehicle Chassis	Model	CC	No. Cyl.	Position	Size (mm) d1 × h1 × a1	Reference	
35933	3FAC	22R-3	Coaster RB20, Land Cruiser		2,400	4	T	92.0 × 1.5 × 3.35	13011-35071	
							2	92.0 × 1.5 × 4.0		
							O	92.0 × 4.0 × 3.2		
35945	3FAC	22R-4	Coaster RB20, Land Cruiser		2,400	4	T	92.0 × 1.5 × 3.35	13011-35041	
							2	92.0 × 1.5 × 4.0		
							O	92.0 × 4.0 × 3.2		
35867	2FAC	2L	Chaser Crown Corona,Mark II Dyna		2,446	4	T	92.0 × 2.0 × 3.35	HK	13011-54050
							2	92.0 × 2.0 × 3.7		13011-54060
							O	92.0 × 4.0 × 4.25		13011-54061
										13011-54100
35899	2F	2L-T	Chaser Crown Corona,Mark II Dyna			4	T	92.0 × 2.0 × 3.35	HK	13011-54090
							2	92.0 × 2.0 × 3.7		
							O	92.0 × 4.0 × 4.25		
35959	3F	5VZ-FE	Land Cruiser Hi-Ace		3,378	6	T	93.5 × 1.5 × 3.55		13011-62100
							2	93.5 × 1.5 × 4.0		13011-62110
							O	93.5 × 4.0 × 2.9		13011-62120
35836	3F	2F	Truck FA100,101,115,FC22D FJ55 Land Cruiser FJ40,45,55,60		4,230	6	T	94.0 × 2.0 × 4.2		13011-61010
							2	94.0 × 2.5 × 4.2		
							O	94.0 × 4.0 × 3.65		
36028	3F	2UZ-FE	Land Cruiser		4,663	8	T	94.0 × 1.5 × 3.2		13011-50141
							2	94.0 × 1.5 × 4.0		
							O	94.0 × 4.0 × 2.7		
35882	3FAC	3F	Land Cruiser		4,000	6	T	94.0 × 1.5 × 3.5		13011-61060
							2	94.0 × 1.5 × 4.0		13011-61061
							O	94.0 × 4.0 × 3.25		
35914	3FAC	3F(NEW)	Land Cruiser		4,000	6	T	94.0 × 2.0 × 3.35		13011-61062
							2	94.0 × 2.0 × 4.0		
							O	94.0 × 4.0 × 3.5		
35968	3F	1GR-FE	Crown Mark II			6	T	94.0 × 1.2 × 3.25		13011-31100
							2	94.0 × 1.2 × 3.4		
							O	94.0 × 2.0 × 2.7		
35898	2FAC	1HZ	Land Cruiser		4,200	6	T	94.0 × 2.0 × 3.55	HK	13011-17010
							2	94.0 × 2.0 × 4.0		13011-17011
							O	94.0 × 4.0 × 4.33		13011-17020
										13011-17030
35970	2FAC	1HD-FTE	Land Cruiser		4,200	6	T	94.0 × 2.0 × 3.3		13011-17040
							2	94.0 × 1.5 × 3.3		
							O	94.0 × 4.0 × 4.33		
35949	2FAC	1PZ	Land Cruiser (’90-’94)		3,500	5	T	94.0 × 2.0 × 3.55	HK	13011-18030
							2	94.0 × 2.0 × 4.0		
							O	94.0 × 4.0 × 4.35		

TP No.	Type	Engine Model	Vehicle Chassis	Model	CC	No. Cyl.	Position	Size (mm) d1 × h1 × a1	Reference
36002	3F	2GR-FE	Harrier, Camry, Rav4, Avalon Lexus ES, RX		3,500	6	T	94.0 × 1.2 × 2.9	13011-31130
							2	94.0 × 1.2 × 2.9	13011-31150
							O	94.0 × 2.0 × 2.7	
35952	3FAC	2,3RZ	Hi-Ace, Hi-Lux, Granbia		2,438	4	T	95.0 × 1.75 × 3.55	13011-75030
							2	95.0 × 1.5 × 3.7	13011-75060
							O	95.0 × 4.0 × 2.95	
35961	2F	2TR-FE	Hi-Lux Surf, Hi Ace Land Cruiser Prado		2,700	4	T	95.0 × 1.2 × 2.9	13011-75110
							2	95.0 × 1.2 × 3.4	13011-75130
							O	95.0 × 2.0 × 2.75	
35956	3F	2TZ-FE	Estima		2,438	4	T	95.0 × 1.75 × 3.65	13011-76010
							2	95.0 × 1.5 × 3.8	13011-76050
							O	95.0 × 4.0 × 3.15	
36004	3FAC	3RZ-FE	Hilux, Granvia		2,693	4	T	95.0 × 1.5 × 3.55	13011-75040
							2	95.0 × 1.5 × 3.4	
							O	95.0 × 4.0 × 2.9	
35834	2F3PS	B(OLD)	Dyna Diesel Coaster Diesel BB10,12,15,19		2,977	4	T	95.0 × 2.5 × 4.3	13011-56010
							2	95.0 × 2.5 × 4.3	
							3	95.0 × 2.5 × 4.3	
							O	95.0 × 4.5 × 4.5	
35847	2F3PS	B	Dyna Diesel HINO Ranger		2,977	4	T	95.0 × 2.54 × 3.55 HK	13011-56011
							2	95.0 × 2.5 × 4.3	
							3	95.0 × 2.5 × 4.3	
							O	95.0 × 4.5 × 4.5	
35840	2FAC	B(NEW) BK	Dyna Diesel BU20,30 Land Cruiser BJ40,43 Coaster Diesel DAIHATSU Delta V10,11,17 Light Bus V12 HINO Ranger HV10D,12,17D		2,977	4	T	95.0 × 2.54 × 3.55 HK	13011-56012
							2	95.0 × 2.5 × 4.3	13011-56013
							O	95.0 × 4.5 × 4.84	13011-56021
									13011-56022
35889	2FAC	11B	DAIHATSU		2,977	4	T	95.0 × 2.5 × 3.7	13011-56030
							2	95.0 × 2.5 × 4.3	
							O	95.0 × 4.5 × 4.84	
35901	2FAC	11B,B	Dyna Toyo-Ace		2,977	4	T	95.0 × 2.5 × 3.55 HK	13011-56040
							2	95.0 × 2.0 × 4.1	
							O	95.0 × 4.0 × 4.26	
35971	2FAC	11B-2	Toyo-Ace Dyna		2,977	4	T	95.0 × 2.0 × 3.55 HK	13011-56050
							2	95.0 × 2.0 × 4.1	
							O	95.0 × 4.0 × 4.26	
35892	2FAC	3L	Hi-Lux, Land Cruiser		2,779	4	T	96.0 × 2.0 × 3.55 HK	13011-54120
							2	96.0 × 2.0 × 4.1	
							O	96.0 × 4.0 × 4.36	

TP No.	Type	Engine Model	Vehicle Chassis	Model	CC	No. Cyl.	Position	Size (mm) d1 × h1 × a1	Reference	
35987	2FAC	1KD	Hi-lux		2,982	4	T	96.0 × 2.0 × 3.35	HK	13011-30020
							2	96.0 × 1.5 × 3.25		13011-30022
							O	96.0 × 3.0 × 3.0		13011-30040
										13011-30050
35937	2FAC	1KZ	Hi-Ace, Land Cruiser Hi-lux Surf		2,982	4	T	96.0 × 2.0 × 3.3	HK	13011-67030
							2	96.0 × 2.0 × 2.3		
							O	96.0 × 3.0 × 3.15		
35915	2FAC	1Z	Dyna		2,977	4	T	96.0 × 2.0 × 3.55		13011-78300-71
							2	96.0 × 2.0 × 4.4		
							O	96.0 × 4.0 × 4.0		
36048	2FAC	1Z 11Z	Fork Lift			4 6 1cyl/set	T	96.0 × 2.0 × 3.55		13011-78300-71
							2	96.0 × 2.0 × 4.4		13011-78330-71
							O	96.0 × 4.0 × 4.0		
35851	2FACBC	2B	Land Cruiser BJ41,44 Coaster Diesel BB10,11		3,168	4	T	98.0 × 2.54 × 4.1	HK	13011-57010
							2	98.0 × 2.5 × 4.3		
							O	98.0 × 4.5 × 4.4		
35928	2FAC	2Z				4	T	98.0 × 2.0 × 3.55		13011-78700-71
							2	98.0 × 2.0 × 4.2		
							O	98.0 × 4.0 × 4.4		
36010	2FAC	2Z-B				4	T	98.0 × 2.0 × 3.55		13011-78701-71
							2	98.0 × 2.0 × 3.5		
							O	98.0 × 4.0 × 4.4		
36047	2FAC	2Z-B 13Z,14Z	Fork Lift			4 6 1cyl/set	T	98.0 × 2.0 × 3.55		13011-78701-71
							2	98.0 × 2.0 × 3.5		13011-78760-71
							O	98.0 × 4.0 × 4.4		13011-78761-71
35929	2FAC	5L	Hi-Ace Van, Regius Van Hi-lux		2,985	4	T	99.5 × 2.0 × 3.55	HK	13011-54130
							2	99.5 × 1.5 × 3.3		
							O	99.5 × 4.0 × 4.15		
35941	3FAC	1FZ	Land Cruiser, FZJ80G		4,476	6	T	100.0 × 1.75 × 3.75		13011-66021
							2	100.0 × 2.0 × 3.8		
							O	100.0 × 4.0 × 2.95		
36015	3FAC	1FZ-2	Land Cruiser 70.80 FZJ80G			6	T	100.0 × 2.0 × 3.55		13011-66020
							2	100.0 × 2.0 × 3.8		
							O	100.0 × 4.0 × 3.1		
35855	2FAC	3B	Dyna Coaster Land Cruiser BJ60 DAIHATSU Delta HINO Ranger HV48		3,431	4	T	102.0 × 2.54 × 3.75	HK	13011-58010
							2	102.0 × 2.5 × 4.3		
							O	102.0 × 4.5 × 4.85		
35909	2FAC	3BK	Dyna Coaster Land Cruiser BJ60 DAIHATSU Delta HINO Ranger HV48		3,431	4	T	102.0 × 2.54 × 3.75	HK	13011-58011
							2	102.0 × 2.5 × 4.3		
							O	102.0 × 4.5 × 4.85		

TP No.	Type	Engine Model	Vehicle Chassis	Model	CC	No. Cyl.	Position	Size (mm) d1 × h1 × a1	Reference
35890	2FAC	13B	Dyna BU62 DAIHATSU Delta V76,79		3,400	4	T	102.0 × 2.5 × 4.1	13011-58030
							2	102.0 × 2.5 × 4.3	
							O	102.0 × 4.5 × 4.85	
35891	2FAC	13BT	Toyo-Ace BU85 Dyna BU95		3,431	4	T	102.0 × 2.5 × 3.75 HK	13011-58040
							2	102.0 × 2.5 × 4.3	
							O	102.0 × 4.5 × 4.85	
35895	2FAC	14B 3B	Dyna300		3,660	4	T	102.0 × 2.5 × 3.75 HK	13011-58050
							2	102.0 × 2.0 × 4.3	13011-58051
							O	102.0 × 4.0 × 4.25	
35903	2F	14B-T	Dyna 300		3,660	4	T	102.0 × 3.0 × 3.75 HK	13011-58060
							2	102.0 × 2.0 × 4.3	
							O	102.0 × 4.0 × 4.25	
35916	2FAC	14B(NEW)	Dyna 300		3,660	4	T	102.0 × 2.5 × 3.75 HK	13011-58070
							2	102.0 × 2.0 × 4.3	13011-58072
							O	102.0 × 4.0 × 4.35	
36029	2F	1W	Dyna		4,000	4	T	104.0 × 2.5 × 4.3	13011-78010
							2	104.0 × 2.0 × 4.3	S1304-E0251
							O	104.0 × 5.0 × 4.55	
35808	PS	2D(OLD)	Truck DA90,90D,95,110,110D 115,115C,116 Bus DB90,92,95,100 100C,102,102C 105,105C,DR10,11 15		6,494	6	T	105.0 × 3.0 × 4.2	13011-77010
							2	105.0 × 3.0 × 4.2	13011-77020
							3	105.0 × 3.0 × 4.2	13011-77021
							O	105.0 × 5.0 × 4.2	13011-77022
							O	105.0 × 5.0 × 4.2	13011-77023
35846	2FBC	2D(NEW)	Truck PA110,115,116 Bus		6,494	6	T	105.0 × 3.1 × 4.0 K	13011-77040
							2	105.0 × 2.5 × 4.3	13011-77041
							3	105.0 × 2.5 × 4.3	13011-77050
							O	105.0 × 5.0 × 4.6	
35926	2FAC	15B-F	Mega Cruiser		4,104	4	T	108.0 × 3.0 × 4.15 HK	13011-58090
							2	108.0 × 2.0 × 4.3	
							O	108.0 × 4.0 × 4.4	
35969	2FAC	15B-FTE	Mega Cruiser Toyo-Ace Dyna		4,100	4	T	108.0 × 3.0 × 4.1	13011-58110
							2	108.0 × 2.0 × 3.9	
							O	108.0 × 4.0 × 4.4	



№ No.	Type	Engine Model	Vehicle Chassis	Model	CC	No. Cyl.	Position	Size (mm) d1 × h1 × a1	Reference
<b>41008</b>	3F	<b>4EA</b>	Matiz Spark		800	3	T	68.5 × 1.2 × 2.65	96325192
							2	68.5 × 1.2 × 2.8	
							O	68.5 × 2.5 × 2.85	
<b>41002</b>	3F	<b>F8 YSE F6B 3EA</b>	Tico		600	3	T	68.5 × 1.2 × 2.55	12140-78B00-000
							2	68.5 × 1.5 × 2.8	
							O	68.5 × 2.8 × 2.85	
<b>41012</b>	3F	<b>F8CV</b>	Matiz		800	3	T	68.5 × 1.2 × 2.65	96325192
							2	68.5 × 1.2 × 2.8	
							O	68.5 × 2.5 × 2.85	
<b>41001</b>	3F	<b>1.5L DOHC SOHC NP960</b>	Lemans, Spagon Espero Lenos		1,500	4	T	76.48 × 1.5 × 3.05	NP960
							2	76.48 × 1.5 × 3.1	NP1015
							O	76.48 × 3.0 × 2.85	NP1016
<b>41010</b>	3F	<b>T200</b>	KALOS/ GENTRA			4	T	76.5 × 1.5 × 3.1	93742961
							2	76.5 × 1.5 × 3.3	
							O	76.5 × 2.0 × 2.85	
<b>41013</b>	3F	<b>AVEO-2</b>	AVEO			4	T	77.9 × 1.2 × 2.9	93740229
							2	77.9 × 1.5 × 3.2	
							O	77.9 × 2.5 × 3.1	
<b>41011</b>	3F	<b>AVEO 1.6</b>	AVEO Lanos			4	T	79.0 × 1.2 × 3.3	93740225
							2	79.0 × 1.5 × 3.2	S1220014
							O	79.0 × 3.0 × 3.05	
<b>41009</b>	3F	<b>OPTRA</b>	LACETTI			4	T	81.6 × 1.2 × 3.1	92067238
							2	81.6 × 1.5 × 3.4	
							O	81.6 × 3.0 × 2.9	
<b>41015</b>	3F	<b>E-TEC</b>				4	T	81.6 × 1.5 × 3.3	92062817
							2	81.6 × 1.5 × 3.3	
							O	81.6 × 3.0 × 3.1	
<b>41003</b>	2FAC	<b>1146</b>	8TON Dump Truck Bus BF105			6	T	111.0 × 3.31 × 4.5 K	65.02503-8146
							2	111.0 × 3.0 × 4.5	
							O	111.0 × 4.0 × 4.15	
<b>41006</b>	2FAC	<b>2366</b>	8.5TON DUMP TRUCK BUS BS106 EXCAVATOR GENERATOR 115K FORKLIFT			6	T	123.0 × 3.306 × 5.0 K	65.02503-8236
							2	123.0 × 3.0 × 5.0	
							O	123.0 × 4.0 × 4.5	
<b>41004</b>	2FAC	<b>2848 M</b>	15TON DUMP TRUCK BUS BH120 EXCAVATOR GENERATOR 200K			8	T	128.0 × 3.306 × 5.1 K	65.02503-8251
							2	128.0 × 3.0 × 5.2	
							O	128.0 × 5.5 × 4.8	

TP No.	Type	Engine Model	Vehicle Chassis	Model	CC	No. Cyl.	Position	Size (mm) d1 × h1 × a1	Reference
41005	2FAC	2848 NEW	15TON DUMP TRUCK			8	T	128.0 × 3.306 × 5.1 K	65.02503-8252
			BUS BH126				2	128.0 × 3.0 × 5.2	
			EXCAVATOR				O	128.0 × 5.0 × 4.8	
			GENERATOR 200K						

DAEWOO

№ No.	Type	Engine Model	Vehicle Chassis	Model	CC	No. Cyl.	Position	Size (mm) d1 × h1 × a1	Reference
<b>42016</b>	3F	<b>G4HA</b>	Atos		798	4	T	63.0 × 1.2 × 2.25	23040-02500
							2	63.0 × 1.5 × 2.7	23040-02510
							O	63.0 × 2.8 × 2.85	23040-02511
<b>42002</b>	3F	<b>80HC</b>	Atos		1,000	4	T	66.0 × 1.2 × 2.3	23040-02700
							2	66.0 × 1.2 × 2.8	
							O	66.0 × 2.5 × 2.8	
<b>42036</b>	3F	<b>SANTRO</b>				4	T	67.0 × 1.2 × 2.3	23040-02820
							2	67.0 × 1.2 × 2.7	
							O	67.0 × 2.5 × 2.5	
<b>42018</b>	3FAC	<b>X11</b>				4	T	71.0 × 1.5 × 2.7	23040-21000
							2	71.0 × 1.5 × 3.1	23040-24010
							O	71.0 × 4.0 × 2.95	
<b>42003</b>	3F	<b>G4K</b>	Accent		1,500	4	T	71.5 × 1.5 × 2.9	23040-22300
							2	71.5 × 1.5 × 3.1	
							O	71.5 × 3.0 × 2.9	
<b>42047</b>	2FAC	<b>AVANTE XD</b>	I20/I30 08-/ELANTRA 06-/ SOUL 09-		1,600	4	T	75.0 × 1.75 × 2.9	23040-2A900
							2	75.0 × 1.75 × 3.0	
							O	75.0 × 3.0 × 3.2	
<b>42025</b>	3F	<b>AVANTE 1.5</b>	95 Avante 1.5GLS 96 Accent E/G			4	T	75.5 × 1.2 × 2.7	23040-26001
							2	75.5 × 1.5 × 3.1	
							O	75.5 × 3.0 × 2.9	
<b>42032</b>	3F	<b>G4EE</b>	ACCENT ERA			4	T	75.5 × 1.2 × 2.85	23040-26002
							2	75.5 × 1.2 × 3.2	
							O	75.5 × 2.0 × 2.75	
<b>42004</b>	3F	<b>G4EK</b>	Accent,S-coupe		1,500	4	T	75.5 × 1.5 × 3.1	23040-22010
							2	75.5 × 1.5 × 3.1	
							O	75.5 × 3.0 × 2.95	
<b>42019</b>	3F	<b>G4EK</b>	Excell.5		1,468	4	T	75.5 × 1.5 × 3.1	23040-21110
							2	75.5 × 1.5 × 3.1	23040-24200
							O	75.5 × 4.0 × 3.2	
<b>42039</b>	3F	<b>G4EK</b>				4	T	75.5 × 1.5 × 2.9	23040-22050
							2	75.5 × 1.5 × 3.1	23040-22051
							O	75.5 × 3.0 × 2.8	
<b>42030</b>	3F	<b>G4ED</b>	Accent 1.6,Matrix 1.6 Getz 1.6				T	76.5 × 1.2 × 2.85	23040-26101
							2	76.5 × 1.2 × 3.3	
							O	76.5 × 2.5 × 3.05	
<b>42038</b>	3F	<b>ALPHA 1.6</b>					T	76.5 × 1.2 × 2.85	23040-26160
							2	76.5 × 1.2 × 3.2	
							O	76.5 × 2.0 × 2.5	

TP No.	Type	Engine Model	Vehicle Chassis	Model	CC	No. Cyl.	Position	Size (mm) d1 × h1 × a1	Reference
42045	3F	GAMMA	ACCENT 2011			4	T 2 O	77.0 × 1.2 × 2.65 77.0 × 1.2 × 3.1 77.0 × 2.0 × 2.55	23040-2B000
42008	3FAC	G4GA	Elantra		1,600	4	T 2 O	77.4 × 1.2 × 2.75 77.4 × 1.2 × 3.3 77.4 × 2.5 × 3.15	23040-23150
42006	3F	J2				4	T 2 O	77.4 × 1.2 × 2.75 77.4 × 1.2 × 3.3 77.4 × 2.5 × 3.05	23040-23100
42046	3FAC	G4DM				4	T 2 O	81.5 × 1.2 × 3.1 81.5 × 1.5 × 3.6 81.5 × 3.0 × 2.5	23040-33430
42010	3FAC	BETA	Avante			4	T 2 O	82.0 × 1.2 × 3.1 82.0 × 1.2 × 3.5 82.0 × 2.5 × 3.15	23040-23050 23040-23000 23040-23200
42033	3F	TUCSON				4	T 2 O	82.0 × 1.2 × 2.8 82.0 × 1.2 × 3.2 82.0 × 2.0 × 2.55	23040-23300
42005	3FAC	G4R	Elantra		1,600	4	T 2 O	82.3 × 1.2 × 3.1 82.3 × 1.5 × 3.6 82.3 × 3.0 × 2.95	23040-33030
42034	2FAC	3A0	ACCENT CRDI(TURBO DIESEL)			4	T 2 O	83.0 × 1.9 × 2.9 83.0 × 2.0 × 3.6 83.0 × 3.0 × 3.75	K 23040-27900
42049	2FAC	D4EA	SANTA FE		1,991	4	T 2 O	83.0 × 1.94 × 3.1 83.0 × 2.0 × 3.8 83.0 × 3.0 × 3.25	K 23040-27920 23040-27950
42013	3FAC	EF2.0	Sonata		2,350	4	T 2 O	85.0 × 1.2 × 3.1 85.0 × 1.5 × 3.7 85.0 × 2.8 × 2.4	23040-38100
42020	3FAC	Y2				4	T 2 O	85.0 × 1.5 × 3.5 85.0 × 1.5 × 3.8 85.0 × 4.0 × 3.2	23040-32800
42040	3F	G4KC	SONATA 2.0L		1,998	4	T 2 O	86.0 × 1.2 × 3.05 86.0 × 1.2 × 3.6 86.0 × 2.0 × 2.55	23040-25000
42043	3F	G4KC LPG			1,998	4	T 2 O	86.0 × 1.2 × 3.1 86.0 × 1.2 × 3.6 86.0 × 2.0 × 2.5	23040-25050
42021	3FAC	G6BA				6	T 2 O	86.7 × 1.2 × 3.05 86.7 × 1.2 × 3.6 86.7 × 2.5 × 3.05	23040-37300

TP No.	Type	Engine Model	Vehicle Chassis	Model	CC	No. Cyl.	Position	Size (mm) d1 × h1 × a1	Reference
42050	3F	G6BA-2	SANTA FE 06-/TUCSON 04-08			6	T	86.7 × 1.2 × 3.05	23040-3E001
							2	86.7 × 1.2 × 3.6	
							O	86.7 × 2.0 × 2.6	
42048	2FAC	D4EB				4	T	87.0 × 2.419 × 3.1 K	23040-27960
							2	87.0 × 2.0 × 3.7	
							O	87.0 × 3.0 × 3.55	
42044	3F	G4KC 2.4	SONATA 2.4L		2,359	4	T	88.0 × 1.2 × 3.1	23040-25200
							2	88.0 × 1.2 × 3.6	
							O	88.0 × 2.0 × 2.55	
42037	2FAC	D4CB			2,500	4	T	91.0 × 2.42 × 3.3 HK	23040-4A900
							2	91.0 × 2.0 × 3.9	
							O	91.0 × 3.0 × 3.04	
42001	2FAC	D4BA H100(NEW)	H100,Grace,Porter		2,500	4	T	91.1 × 2.0 × 3.35	23040-42200
							2	91.1 × 2.0 × 3.75	23040-42202
							O	91.1 × 3.0 × 3.3	23040-42210
42015	2FAC	D4BF	Galloper Grace Turbo Starex Turbo			4	T	91.1 × 2.5 × 3.7 HK	23040-42850
							2	91.1 × 2.0 × 3.7 HK	23040-42521
							O	91.1 × 4.0 × 4.1	
42041	2FAC	D4BH			2,400	4	T	91.1 × 2.5 × 3.7 HK	23040-42510
							2	91.1 × 2.0 × 3.7 HK	
							O	91.1 × 4.0 × 3.3	
42000	2FAC	H100	88 Grace Porter 1Ton 1.25Ton			4	T	91.1 × 2.5 × 3.7	23040-42000
							2	91.1 × 2.0 × 3.8	
							O	91.1 × 4.0 × 4.1	
42042	2FAC	TERRACAN			2,900	4	T	97.1 × 2.42 × 3.4 HK	23040-4X920
							2	97.1 × 2.0 × 3.9	
							O	97.1 × 3.0 × 3.25	
42007	2FAC	D4AE	97 Mighty 3.5 Ton			4	T	100.0 × 3.0 × 3.7 K	23040-41400
							2	100.0 × 2.0 × 4.0	
							O	100.0 × 4.0 × 3.95	
42017	2FAC	D4AF	Mighty		3,298	4	T	100.0 × 3.0 × 4.0 HK	23040-41000
							2	100.0 × 2.0 × 4.2	23040-41060
							O	100.0 × 5.0 × 4.7	
42012	2FAC	D4AF	Mighty		3,567	4	T	104.0 × 3.0 × 4.0 HK	23040-41200
							2	104.0 × 2.0 × 4.2	
							O	104.0 × 4.0 × 4.2	
42029	2FAC	D6CB	HYUNDAI Bus & Truck			6	T	130.0 × 3.306 × 5.4 K	23430-84410
							2	130.0 × 3.0 × 5.3	
							O	130.0 × 4.0 × 4.35	
42028	2FAC	D6CA	HYUNDAI Bus & Truck			6	T	133.0 × 3.306 × 5.3 K	23430-84000
							2	133.0 × 3.0 × 5.3	
							O	133.0 × 4.0 × 4.4	

TP No.	Type	Engine Model	Vehicle Chassis	Model	CC	No. Cyl.	Position	Size (mm) d1 × h1 × a1	Reference
<b>43021</b>	3F	<b>PICANTO 1.1L</b>	Picanto		1,100	4	T	67.0 × 1.2 × 2.45	23040-02950
							2	67.0 × 1.2 × 2.8	23040-02970
							O	67.0 × 2.0 × 2.75	
<b>43002</b>	3F	<b>B1</b>	Pride1100 (Unleaded)		1,100	4	T	68.0 × 1.2 × 2.75	KK1Y8-11-SCO
							2	68.0 × 1.5 × 3.0	
							O	68.0 × 3.0 × 2.85	
<b>43008</b>	3F	<b>PRIDE1.3</b>	Pride Festiva		1,300	4	T	71.0 × 1.2 × 2.55	K1YH-11-SCO
							2	71.0 × 1.5 × 3.1	
							O	71.0 × 3.0 × 2.9	
<b>43012</b>	3F	<b>B3</b>	Rio		1,300	4	T	75.5 × 1.2 × 2.75	0K3Y0-11-SCO
							2	75.5 × 1.2 × 3.2	0K3Y2-11-SCO
							O	75.5 × 2.5 × 2.75	
<b>43023</b>	3F	<b>AVELLA</b>				4	T	78.0 × 1.5 × 3.25	K2YA-11-SCO
							2	78.0 × 1.5 × 3.3	K2Y2-11-SCO
							O	78.0 × 3.0 × 3.05	
<b>43015</b>	3FAC	<b>KV20</b>	Sephia Carnival			4	T	78.0 × 1.5 × 3.25	K9Y1-11-SCO
							2	78.0 × 1.5 × 3.3	
							O	78.0 × 4.0 × 3.4	
<b>43025</b>	3F	<b>SPECTRA 1.6</b>				4	T	78.0 × 1.2 × 2.8	0K3Y3-11-SCO
							2	78.0 × 1.2 × 3.2	
							O	78.0 × 2.5 × 2.65	
<b>43019</b>	3FAC	<b>2.5EGI</b>	Carnival			6	T	80.0 × 1.2 × 3.1	0K9YV-11-SCO
							2	80.0 × 1.5 × 3.3	
							O	80.0 × 2.5 × 3.05	
<b>43020</b>	3F	<b>CARENS</b>				4	T	81.0 × 1.5 × 3.15	0K2Y3-11-SCO
							2	81.0 × 1.5 × 3.4	
							O	81.0 × 3.0 × 2.95	
<b>43022</b>	3F	<b>CARENS-2</b>				4	T	81.0 × 1.2 × 3.15	23040-2Y050
							2	81.0 × 1.2 × 3.5	
							O	81.0 × 2.5 × 3.15	
<b>43024</b>	2F	<b>NB1(NEW)</b>	New Besta			4	T	86.0 × 2.0 × 3.5	HK K7Y0-11-SCO
							2	86.0 × 2.0 × 3.6	
							O	86.0 × 4.0 × 3.85	
<b>43013</b>	2FAC	<b>R2</b>			2,184	4	T	86.0 × 2.0 × 2.95	K7Y1-11-SCO
							2	86.0 × 2.0 × 3.5	
							O	86.0 × 3.0 × 3.1	
<b>43001</b>	2F	<b>SF</b>	K2400,Bongo		2,400	4	T	92.0 × 2.38 × 3.8	K7Z0-11-SCO
							2	92.0 × 2.38 × 3.8	
							O	92.0 × 4.0 × 4.179	

TP No.	Type	Engine Model	Vehicle Chassis	Model	CC	No. Cyl.	Position	Size (mm) d1 × h1 × a1	Reference
43003	2F	SS SUTC	K2700 Besta		2,700	4	T	92.0 × 2.806 × 3.9 K	K480-23-206
							2	92.0 × 2.4 × 3.8	K4Z0-11-SCO
							O	92.0 × 4.0 × 4.25	
43006	2FAC	ZB	K-4100 BOXER COMBI AM815			6	T	92.0 × 2.375 × 3.5	V101-23-206
							2	92.0 × 2.375 × 3.6	0527-23-206
							O	92.0 × 4.75 × 4.3	
43007	2FAC	RFA	Hi-Besta		2,700	4	T	93.0 × 2.0 × 3.15	VNY1-11-SCO
							2	93.0 × 2.0 × 3.7	
							O	93.0 × 3.0 × 3.4	
43009	2FAC	JS	K-2700 PREGIO			4	T	94.5 × 2.0 × 3.3	K6Z1-11-SCO
							2	94.5 × 2.0 × 4.0	
							O	94.5 × 3.0 × 3.4	
43004	2FAC	HA1	K-3000 SUPER TITAN			4	T	95.0 × 2.375 × 3.8	KOYO-11-SCO
							2	95.0 × 2.375 × 3.8	
							O	95.0 × 4.0 × 4.25	
43014	2FAC	J3				4	T	97.1 × 2.0 × 3.5 HK	K5Z1-11-SCO
							2	97.1 × 2.0 × 3.9	
							O	97.1 × 3.0 × 3.25	
43010	2FAC	JT				4	T	98.0 × 2.0 × 3.55	K7Z1-11-SCO
							2	98.0 × 2.0 × 3.9	
							O	98.0 × 3.0 × 3.15	
43011	2FAC	K3600				4	T	100.0 × 2.0 × 3.55	K4Y1-11-SCO
							2	100.0 × 2.0 × 4.2	
							O	100.0 × 3.0 × 3.3	

TP No.	Type	Engine Model	Vehicle Chassis	Model	CC	No. Cyl.	Position	Size (mm) d1 × h1 × a1	Reference
--------	------	--------------	-----------------	-------	----	----------	----------	---------------------------	-----------

# OTHERS

## ASIA

44001	3F	TOWNER JADE	TOWNER			3	T	70.0 × 1.2 × 2.5	AA100-11-120
							2	70.0 × 1.5 × 2.9	
							O	70.0 × 2.8 × 2.6	

## CHRYSLER

61001	3F	EER				6	T	86.0 × 1.5 × 3.25	
							2	86.0 × 1.5 × 3.7	
							O	86.0 × 3.0 × 3.05	

## CHEVROLET

50059	3F	SAIL				4	T	73.8 × 1.2 × 2.6	93736247
							2	73.8 × 1.2 × 2.8	
							O	73.8 × 2.0 × 2.5	
50033	2F	CORSA 1.4L				4	T	77.58 × 1.5 × 2.8	
							2	77.58 × 1.5 × 3.1	
							O	77.58 × 3.0 × 2.0	
50032	3F	CORSA 1.6L				4	T	78.98 × 1.2 × 2.7	93235611
							2	78.98 × 1.5 × 3.2	
							O	78.98 × 3.0 × 2.9	

## FIAT

50038	2F	MAREA 82 4CYL				4	T	82.0 × 1.2 × 3.25	71713060
							2	82.0 × 1.2 × 3.3	
							O	82.0 × 2.0 × 2.75	
50039	2F	MAREA 82 5CYL				5	T	82.0 × 1.5 × 3.25	5894842
							2	82.0 × 1.5 × 3.5	
							O	82.0 × 3.0 × 3.45	
50040	2F	MAREA 83 5CYL				5	T	83.0 × 1.2 × 3.25	5894858
							2	83.0 × 1.5 × 3.4	
							O	83.0 × 3.0 × 3.45	
50067	2F	DUCATO 88				4	T	88.0 × 2.358 × 3.65	2992540
							2	88.0 × 2.0 × 3.6	
							O	88.0 × 2.5 × 2.0	

--	--	--	--	--	--	--	--	--	--



№ No.	Type	Engine Model	Vehicle Chassis	Model	CC	No. Cyl.	Position	Size (mm) d1 × h1 × a1	Reference	
<b>FORD</b>										
50029	2F	FORD 79.5				4	T	79.5 × 1.75 × 3.25		
							2	79.5 × 2.0 × 3.3		
							O	79.5 × 3.0 × 2.0		
							1cyl/set			
50068	2F	DURATORQ 2.2L BT-50	RANGER, BT-50		2,200	4	T	86.0 × 2.0 × 3.6		
							2	86.0 × 2.0 × 3.6		
							O	86.0 × 2.0 × 2.3		
							1cyl/set			
50049	2F	TRANSIT					T	89.9 × 2.0 × 3.3		
							2	89.9 × 2.0 × 3.7		
							O	89.9 × 2.0 × 2.75		
							1cyl/set			
50047	2F	TRANSIT					T	93.67 × 2.43 × 3.55		
							2	93.67 × 2.0 × 3.8		
							O	93.67 × 4.0 × 4.15		
							1cyl/set			
50053	2F	PUMA					T	89.91 × 2.4 × 3.75	HK	06-113500-00
							2	89.91 × 2.0 × 3.7		
							O	89.91 × 3.0 × 3.15		
							1cyl/set			

## LADA

50008	3F	LADA 76				4	T	76.0 × 1.5 × 2.9	
							2	76.0 × 2.0 × 3.2	
							O	76.0 × 4.0 × 3.45	
							1cyl/set		
50009	3F	LADA 79				4	T	79.0 × 1.5 × 3.1	
							2	79.0 × 2.0 × 3.2	
							O	79.0 × 4.0 × 3.45	
							1cyl/set		
50020	3F	LADA 82				4	T	82.0 × 1.5 × 3.1	
							2	82.0 × 2.0 × 3.2	
							O	82.0 × 4.0 × 2.95	
							1cyl/set		

## MERCEDES

50037	3F	SMART				3	T	63.5 × 1.2 × 2.5	80 00372 1 0 000
							2	63.5 × 1.5 × 2.6	
							O	63.5 × 2.5 × 2.55	
							1cyl/set		
50052	3F	SMART				3	T	66.5 × 1.2 × 2.5	
							2	66.5 × 1.2 × 2.5	
							O	66.5 × 2.5 × 2.2	
							1cyl/set		
50048	2F	SPRINTER					T	88.0 × 2.5 × 3.35	
							2	88.0 × 2.0 × 3.6	
							O	88.0 × 3.0 × 3.3	
							1cyl/set		

## MINI

50060	3F	COOPER 77					T	77.0 × 1.2 × 2.9	
							2	77.0 × 1.2 × 3.3	
							O	77.0 × 2.5 × 2.75	
							1cyl/set		

TF No.	Type	Engine Model	Vehicle Chassis	Model	CC	No. Cyl.	Position	Size (mm) d1 × h1 × a1	Reference
--------	------	--------------	-----------------	-------	----	----------	----------	---------------------------	-----------

## OPEL

50013	3F	OPEL 1.3L Thin				4	T	75.0 × 1.5 × 2.9	
							2	75.0 × 1.5 × 3.1	
							O	75.0 × 4.0 × 3.25	
50016	3F	OPEL 1.3L Thick				4	T	75.0 × 1.75 × 3.25	
							2	75.0 × 2.0 × 3.1	
							O	75.0 × 4.0 × 3.25	
50012	3F	OPEL 1.4L				4	T	77.6 × 1.5 × 2.9	
							2	77.6 × 1.5 × 3.1	
							O	77.6 × 3.0 × 2.9	
50011	3F	OPEL 1.6L				4	T	79.0 × 1.2 × 2.7	
							2	79.0 × 1.5 × 3.2	
							O	79.0 × 3.0 × 2.9	
50034	3F	16V	ASTRA			4	T	79.0 × 1.2 × 3.0	
							2	79.0 × 1.5 × 3.2	
							O	79.0 × 2.5 × 2.5	
50010	3F	OPEL 1.8L				4	T	84.8 × 1.5 × 3.3	
							2	84.8 × 1.5 × 3.6	
							O	84.8 × 3.0 × 2.85	

## PEUGEOT

50054	2F	XUD7				4	T	80.0 × 2.0 × 3.3	
							2	80.0 × 2.0 × 3.3	
							O	80.0 × 3.0 × 3.6	
50014	3F	PEUGEOT XU7(405)				4	T	83.0 × 1.5 × 3.1	
							2	83.0 × 1.5 × 3.5	
							O	83.0 × 3.0 × 3.05	
50056	2F	XUD9				4	T	83.0 × 2.0 × 3.5	
							2	83.0 × 2.0 × 3.4	
							O	83.0 × 3.0 × 3.6	
50023	3F	PEUGEOT XN1(504)				4	T	88.0 × 1.5 × 3.3	
							2	88.0 × 2.0 × 3.8	
							O	88.0 × 4.0 × 3.4	

## PROTON

44005	3F	Campro	Gen2			4	T	76.0 × 1.2 × 2.85	
							2	76.0 × 1.2 × 3.1	
							O	76.0 × 2.5 × 2.75	
44008	3F	CAMPRO-2	GEN2			4	T	76.0 × 1.2 × 2.85	
							2	76.0 × 1.2 × 3.1	
							O	76.0 × 2.0 × 2.5	

№ No.	Type	Engine Model	Vehicle Chassis	Model	CC	No. Cyl.	Position	Size (mm) d1 × h1 × a1	Reference		
<b>RENAULT</b>											
50027	3F	D4D	Clio 1.0L 16V		1,000	4	T	69.0 × 1.2 × 2.4			
							2	69.0 × 1.5 × 2.8			
							O	69.0 × 2.5 × 2.55			
50028	3F	D7D	Clio 1.0L 8V		1,000	4	T	69.0 × 1.5 × 2.7			
							2	69.0 × 1.5 × 2.8			
							O	69.0 × 2.5 × 2.55			
50064	3F	K7M	Logan,Kangoo,Megane,Modus			4	T	79.5 × 1.5 × 3.3			
							2	79.5 × 1.5 × 3.3			
							O	79.5 × 2.5 × 2.9			
50065	3F	RENAULT 79.5				4	T	79.5 × 1.5 × 3.1	7701474857		
							2	79.5 × 1.5 × 3.3			
							O	79.5 × 2.5 × 2.9			
<b>SSANGYONG</b>											
50050	2F	MUSSO	602 SOHC/DOHC NEW KORANDO ISTANA			5	T	89.0 × 2.5 × 3.55			
							2	89.0 × 2.0 × 3.7			
							O	89.0 × 3.0 × 3.55			
<b>VW</b>											
50055	2F	VW DIESEL					T	76.5 × 2.0 × 3.5			
							2	76.5 × 2.0 × 3.4			
							O	76.5 × 3.0 × 2.4			
50003	3F	PASSAT 79.5				4	T	79.5 × 1.75 × 3.25			
							2	79.5 × 2.0 × 3.3			
							O	79.5 × 4.0 × 3.25			
50061	2F	VW 79.5	(ENG) AMF,ATL,BAY, 1X,1Y,1Z,AAZ,ABL,AEY, AEF,AGD,AGP,		1,422	3	T	79.5 × 1.75 × 2.8			
							1,896	4		2	79.5 × 2.0 × 3.3
										O	79.5 × 3.0 × 3.55
50017	2F	VW 81				4	T	81.0 × 1.50 × 3.25			
							2	81.0 × 1.75 × 3.3			
							O	81.0 × 2.0 × 2.0			
50018	2F	VW 2.8L				6	T	82.5 × 1.2 × 3.05			
							2	82.5 × 1.5 × 3.3			
							O	82.5 × 2.0 × 2.75			
50025	2F	VW 2.8L-1	FOR 4CYL/ENG FOR 6CYL/ENG			4	T	82.5 × 1.2 × 3.05			
							6	2		82.5 × 1.5 × 3.3	
										O	82.5 × 2.0 × 2.75

Part No.	Type	Engine Model	Vehicle Chassis	Model	CC	No. Cyl.	Position	Size (mm) d1 × h1 × a1	Reference
----------	------	--------------	-----------------	-------	----	----------	----------	---------------------------	-----------

## DOOSAN

44007	2F	DOOSAN 102	DB58			6	T	102.0 × 3.0 × 4.3	65.02503-8058
							2	102.0 × 2.5 × 4.4	
							O	102.0 × 4.0 × 4.1	
44009	2FAC	2848				8	T	128.0 × 3.306 × 5.1 K	65.02503-8255
							2	128.0 × 3.0 × 5.2	
							O	128.0 × 4.0 × 4.75	

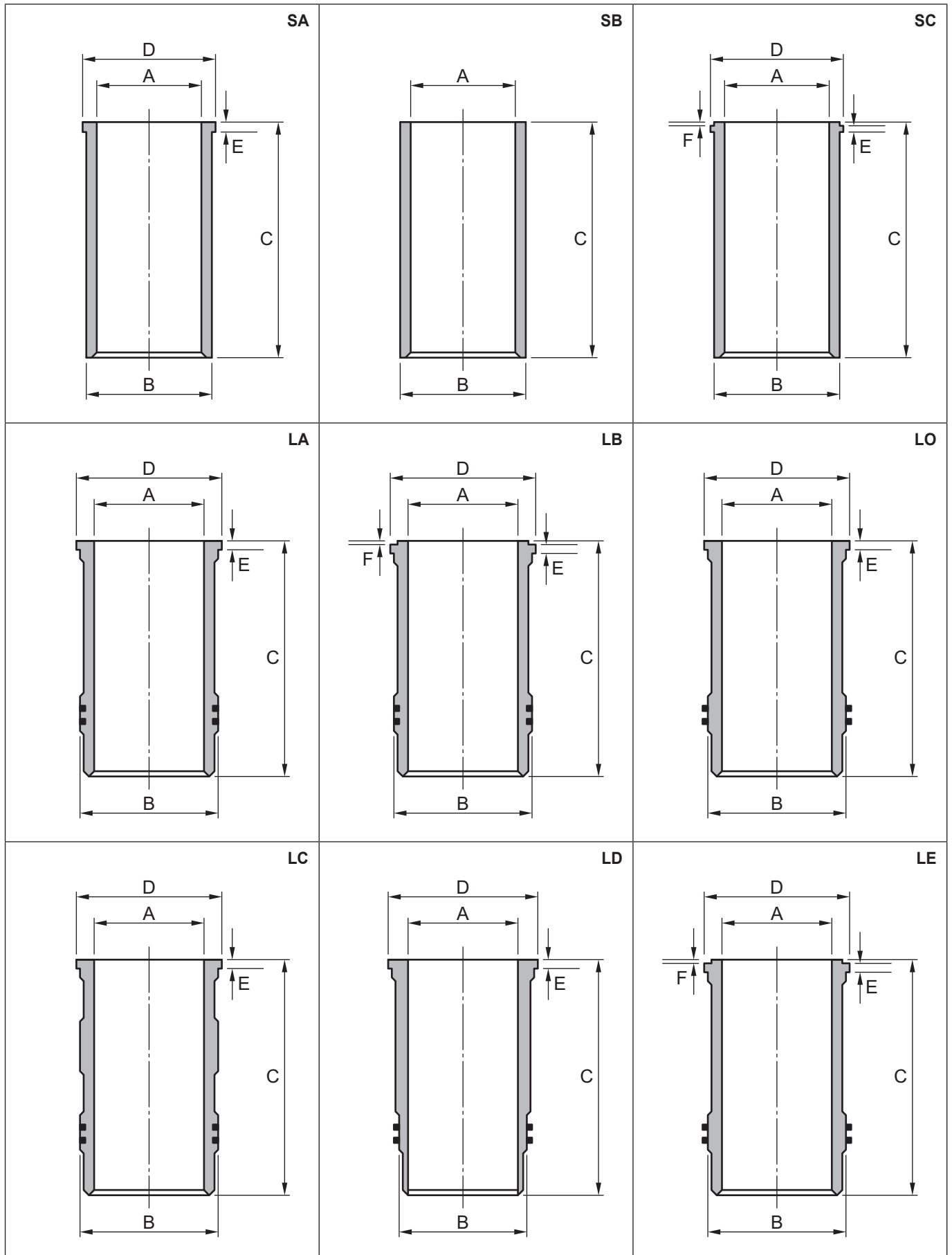
## SKODA

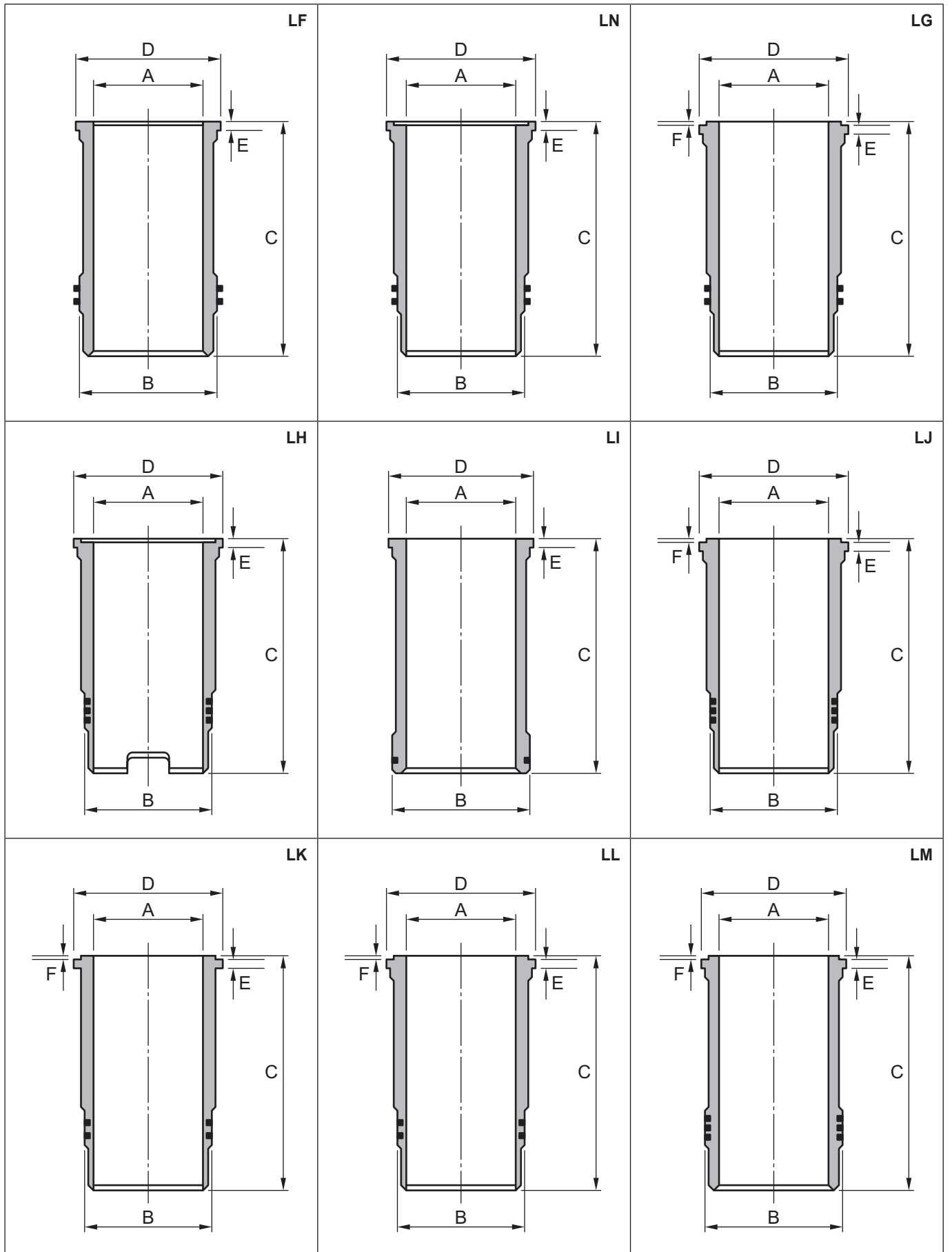
50066	2F	SKODA 81				4	T	81.0 × 1.0 × 2.7	
							2	81.0 × 1.2 × 3.3	
							O	81.0 × 2.0 × 2.0	

--	--	--	--	--	--	--	--	--	--

# **CYLINDER LINERS**

# Liner Type Diagrams





TP No.	Label No.	Engine Model	Reference	CC	SEMI/ CR	1Box. Cyl.	No. Cyl.	Type	A (mm)	B (mm)	C (mm)	D (mm)	E (mm)
--------	-----------	--------------	-----------	----	----------	------------	----------	------	--------	--------	--------	--------	--------

# DAIHATSU

0101S	K03-087068	DG	11461-87302	2,530	SEMI	4	4	SC	87.6	93	182	97	3
0102S	K03-087069	DG	11461-87304	2,530	SEMI	4	4	SC	87.6	96	182	101	3
0103S	K03-097158	DL	11461-87303	2,530	SEMI	4	4	SC	91.6	96	182	101	3
0104S	K03-097072	DL(NEW)	11461-87305	2,530	SEMI	4	4	SC	91.6	96	178	101	3

# HINO

0201F	K03-097014	DM100	11467-1330/1440	4,313		6	6	LB	90	104.5	198.5	110	9
0202F	K03-097025	EC100	2-380-1930-10 11467-1130(A)	5,010		6	6	LB	97	110.5	206	117	10
0203F	K03-107202	W04,06D	11467-1761/1791 11461-1680A	4,009		4	4	SC	104	107	201	112	8
0232F	K03-107230	W06D	11467-1761/1791 11461-1680A			6	6	SC	104	107	201	112	8
0216F	K03-107066	EH100	11467-1030/1040	5,871		6	6	SC	105	110	206	115	8
0204F	K03-107020	DS70/90	11461-1260A	7,041		6	6	LK	105	122	261	130	10.1
0213F	K03-107205	H06CT	11467-1591/1621	6,485		6	6	SC	108	113	204	118	8
0205F	K03-117007	DS50	11461-1230A	7,982		6	6	LB	110	124.5	266	131	10.1
0206F	K03-117126	EH700	11467-1200/1230	6,443		6	6	SC	110	113	204	118	8
0240F	K03-117191	J08E/J05E	11467-3200B/10B/20B S1146-3200/10/20			6	6	SA	112	117	203	122	8
0221F	K03-117155	J08C	11467-2601/2611/2621			6	6	SA	114	117	203	122	8
0222F	K03-117171	J08C-2				6	6	SC	114	117	204	122	8
0236F	K03-117189	J08C-3	11462-E0090 11463-E0060 11464-E0060			6	6	SA	114	117	203	122	3
0207F	K03-117035	EB100,200	11467-1390	9,036		6	6	LB	115	131.5	278	139	11.1
0208F	K03-117074	EL100	11461-1360/1640	7,862		2	6	LG	116	129	222.8	138	9
0210F	K03-127047	EB400	11467-1180	9,838		6	6	LB	120	136	287.3	143	11.1
0209F	K03-127010	DK10A	11467-1380/1540	10,178		6	6	LB	120	138	291.5	145	11.1
0231F	K03-127091	P11C	11467-2390/400/410, 11467-2710/20/30, 11467-3130/40/50	10,520		6	6	SC	122	127	229	134	8
0233F	K03-127095	P11C-2	11461-E0020-A			6	6	SA	122	127	228	134	8
0227F	K03-127088	EM100	11467-1661/62/71/72A	9,419		6	6	SC	124	129.1	236	134	8
0228F	K03-127089	M10-U	11467-2000A/10A/20A/30A	9,880		6	6	SC	127	130.3	236	135.2	8
0238F	K03-137133	K13C	11467-2641A	12,882		2	6	LG	135	153	267	164	12
0211F	K03-137042	EK100 K13D	11467-1080/1650, 11467-1910	13,267		2	6	LG	137	153	266.8	164	12.12
0212F	K03-137048	EF700,750	11467-1081C/1091B/1480B/1900	16,745		2	8	LG	137	153	247.8	165	12.1



Tr No.	Label No.	Engine Model	Reference	CC	SEMI/ CR	1Box. Cyl.	No. Cyl.	Type	A (mm)	B (mm)	C (mm)	D (mm)	E (mm)
0237F	K03-137131	F17C	11467-1702A	16,745		2	8	LG	139	154	247.8	166	12
0234F	K03-137132	V22C	11467-2130	21,548		2	10	LG	139	156	247.8	167	12.1
0223F	K03-147039	F20C,V25C	11467-2280B/290B/300B 11467-2490A/500A/510A	19,688		4	8	SC	146	152	244.6	159	8
0235F	K03-147044	F20CE	11467-2680A 11467-2690A	19,688		2	8	SC	146	154	244.6	161	8.5
0224F	K03-157027	F21C,V26C	11467-2650A/60A/70A			4	8	SC	150	154	244.6	161	8.5

# ISUZU

0301F	K03-107098	DA120A	11261-301	6,126		6	6	LF	100	113	220	116	10
0302F	K03-107099	DA120B	11261-287	6,126		6	6	LF	100	113	220	119	8
0304F	K03-107101	DA640B	11261-293	6,373		6	6	LN	102	113	220	119	8
0305F	K03-107102	DA640C	11261-288	6,373		6	6	LN	102	113	228	119	8
0315F	K03-117130	4HE1T	8-97176-7230/40/50/60 8-97176-7231/41/51/61	4,751		4	4	SA	110	115	210	120.7	6
0316F	K03-117131	6HE1	8-94396-3320	7,127		6	6	SA	110	113	210	119.7	6
0306F	K03-117089	4HF1	8-97144-1741/1742 8-97176-7270/7271 8-97176-7280/7281	4,334		4	4	SA	112	115	180	120.7	6
0328F	K03-117167	4HF1-2	8-97144-1740			4	4	SA	112	115	180	121.7	6
0317F	K03-117129	6HH1D 6HK-1	8-94391-6020/30 8-94391-6021/31 8-94393-2731/32	8,226		6	6	SA	115	118	210	123.7	6
0324F	K03-117150	4HJ1	8-94391-6020/30 8-94391-6021/31 8-94393-2731/32	4,751		4	4	SA	115	118	210	123.7	6
0322F	K03-117148	4HG1	8-97144-178	4,751		4	4	SA	115	118	180	123.7	6
0307F	K03-117053	PA/PB1	1-11261-063/064			2	10	LG	115	130	219.25	141.7	10
0308F	K03-117082	10PC1	1-11261-076-1	15,014		2	10	LG	119	133	219.25	143.7	10
0309F	K03-117085	10PC1-TF	1-11261-147	15,014		2	10	LG	119	133	219.25	143.7	10
0310F	K03-117088	10PD1	1-11261-161-2	10,179	CR	2	10	LG	119	133	234.25	143.7	10
0323F	K03-117149	10PD1-2	1-11261-161-2	10,179		2	10	LG	119	133	234.25	143.7	10
0332F	K03-127094	6UZ1	8-98105-8790, 8-98112-2300/30			6	6	SC	120	122.5	239.2	129.7	6
0311F	K03-127009	DH100	11261-241/270	10,179		6	6	LA	120	134	280	141	11
0312F	K03-127066	6SD1	1-11261-106-2, 1-11261-2980/2990/3000/3010	9,839		6	6	SC	120	123	239.2	129.7	6

TF No.	Label No.	Engine Model	Reference	CC	SEMI/ CR	1Box. Cyl.	No. Cyl.	Type	A (mm)	B (mm)	C (mm)	D (mm)	E (mm)
0345F	K03-117215	6SD1MTC	111261-2140			6	6	SC	117.9	123	239.2	129.7	6
			111261-2150										
			111261-2160										
			111261-2170										
0346F	K03-117214	6SD1MTCX	111261-2280		GT	6	6	SC	117.9	123	239.2	129.7	6
			111261-2290										
			111261-2300										
			111261-2310										
0313F	K03-127011	D920	11261-227/229	9,203		6	6	LC	125	140	256.2	146.5	11
0314F	K03-127012	E110	11261-228	9,203		6	6	LC	125	140	281.2	146.5	11
0327F	K03-127085	10PE1	1-11261-175/286/287/372/373			2	10	SA	127	130.6	233	136.6	6
0347F	K03-137155	6WA1	1-11261-362-1	12,068		6	6	SA	132.9	137	265.5	143.7	6
			1-11261-363-1										
0335F	K03-147045	6WG1TC	1-11261-379-2/380-2			2	6	SC	147	151.6	267	158.2	6
0330F	K03-157026	10TD1	1-11261-183-0			2	10	SC	158	163	270.05	170.7	6

## MAZDA

0402S	K03-097120	HA(NEW)	SE01-23-051	2,977	SEMI	4	4	SC	94.5	98.5	189	103.5	3.8
0401F	K03-097071	HA(NEW)	SE01-23-051	2,977		4	4	SC	95	98.5	189	103.5	3.8
0406F	K03-097126	VS	VS01-10-311A/2A/3A/4A			4	4	SC	98	101.5	168	107	2.5
0403F	K03-107207	SL	SL01-23-311	3,455		4	4	SC	100	103.5	193.5	108	2.5
0405F	K03-107221	TF	TFY0-10-311/313	4,021		4	4	SC	105.5	108.95	200	114.5	6.1
0404F	K03-107220	TM	TMYO-10-311/313	4,553		4	4	SC	109.02	112.5	202.5	118	6

## MITSUBISHI

0501S	K03-097091	4D5 STD	MD050243/050430	2,346	SEMI	4	4	SB	90.1	94.1	164.5			
0502S	K03-097098	4D5 0.5 O/S	MD050431	0.5 O/S	2,346	SEMI	4	4	SB	90.1	94.6	164.5		
0503S	K03-097089	4D56 STD	MD168963		2,346	SEMI	4	4	SB	90.1	94.1	167		
0504S	K03-097099	4D56 0.5 O/S	MD168964	0.5 O/S	2,346	SEMI	4	4	SB	90.1	94.6	167		
0590S	K03-097149	4D56 2.0 O/S	MD103648	2.0 O/S	2,346	SEMI	4	4	SB	90.1	96.1	167		
0505S	K03-097109	4DR5 STD	31607-02202,		2,659	SEMI	4	4	SB	91	95	176		
			ME001337											
0506S	K03-097110	4DR5 0.5 O/S	31607-02301	0.5 O/S	2,659	SEMI	4	4	SB	91	95.5	176		
0507S	K03-097079	4DR5 2.0 O/S		2.0 O/S	2,659	SEMI	4	4	SB	91	97	176		
0591S	K03-097148	4M40	Original		2,835	SEMI	4	4	SB	94.3	98.5	192		
0546F	K03-097011	6DS1(NEW)	ME020306		4,678		6	6	LB	95	108	191.2	115	10

TP No.	Label No.	Engine Model	Reference	CC	SEMI/CR	1Box. Cyl.	No. Cyl.	Type	A (mm)	B (mm)	C (mm)	D (mm)	E (mm)
0508F	K03-097026	6DS7(OLD)	ME024161	5,430		6	6	LL	98	110	201.2	117	10
			ME021843/44										
			ME021162,ME023700										
0509F	K03-097049	6DS7(NEW)	ME029081	5,430		6	6	LL	98	110	206.2	117	10
			ME029180										
0510S	K02-100036	4D30 STD	ME011513	3,298	SEMI	4	4	SB	99	104	196.5		
			ME011528/29										
0511S	K02-100040	4D30 0.5 O/S	ME011523 0.5 O/S	3,298	SEMI	4	4	SB	99	104.5	196.5		
0512S	K03-107136	4D31T	ME011604	3,298	SEMI	4	4	SB	99	104	191.5		
			ME011625/26										
0537S	K03-107228	6D31	ME011604		SEMI	6	6	SB	99	104	191.5		
0513S	K03-107171	4D32	ME012900	3,567	SEMI	4	4	SB	103	107	192		
0514S	K03-107190	4D32 STD	ME017360	3,567	SEMI	4	4	SB	103	108	191		
0515S	K03-107191	4D32 0.5 O/S	ME017361 0.5 O/S	3,567	SEMI	4	4	SB	103	108.5	191		
0516S	K03-107155	4D34 STD	ME013366	3,907	SEMI	4	4	SB	103	108	197.5		
0517S	K03-107177	4D34 0.5 O/S	ME013367 0.5 O/S	3,907	SEMI	4	4	SB	103	108.5	197.5		
0533S	K03-107229	6D34	ME013366		SEMI	6	6	SB	103	108	197.5		
0518F	K03-107104	6D10	ME031502/4	5,974		6	6	LE	105	119	205.8	126	10
0519F	K03-107105	6D11	ME031039,	6,754		6	6	LE	105	119	228.3	126	10
			ME031505/07										
0520S	K03-107192	4D33	ME014660	4,214	SEMI	4	4	SB	107	111.3	197.5		
0575S	K03-107211	4D33 0.5 O/S	ME014661 0.5 O/S	4,214	SEMI	4	4	SB	107	111.8	197.5		
0522F	K03-117060	6D14	ME031617	6,557		2	6	LG	110	122	206	131	10
			ME031453/071174										
0523F	K03-117076	6D14T	ME071175	6,557		2	6	LG	110	122	211	131	10
			ME071199										
0521F	K03-117015	6DB	ME040040	8,553		6	6	LA	110	125	270	135	11.8
0524F	K03-117057	6D15	ME031654	6,919		6	6	LJ	113	125	206	133	10
0525F	K03-117072	6D15A	ME071041/42~44	6,919		6	6	LJ	113	125	206	133	10
0526F	K03-117078	6D15T	ME071062/63/64	6,919		6	6	LB	113	125	211	133	10
0527F	K03-117086	6D15T2	ME071086/87~92	6,919		6	6	SC	113	117	206	125	8
0594F	K03-117162	4M50T	ME221680/81~84			4	4	SC	114	118	199.1	124	6
			ME240319~322										
0528F	K03-117080	6D16	ME071224/25~30	7,545		6	6	SA	118	122	204.5	128	8
0529F	K03-117092	6D16T	ME041102~7	7,545		6	6	SC	118	122	206	128	8
0543F	K03-117132	6D17	ME071537/38~43	7,545		6	6	SA	118	122	209	128	8
0595F	K03-117163	6M60T	ME302321/22~27	7,545		6	6	SC	118	122	210.5	128	8
			ME071936/37~42										
0530F	K03-127042	6D20	ME051157~9	10,308		2	6	LJ	125	143	261.3	153	11.5
0531F	K03-137056	6D22	ME051219/20~22	11,149		2	6	LJ	130	147	261.75	156	11.5
0532F	K03-137069	6D22 NEW	ME051500/01~03	11,149		2	6	LJ	130	147	261.75	156	11.5
			ME051633										
0535F	K03-137032	DC2,4,7 OLD	31207-43402/202	13,273		2	8	LJ	130	147	229.3	157	11.8
0534F	K03-137025	8DC-4,7	31207-72603/503	13,273		2	8	LJ	130	147	229.3	157	11.8

TF No.	Label No.	Engine Model	Reference	CC	SEMI/ CR	1Box. Cyl.	No. Cyl.	Type	A (mm)	B (mm)	C (mm)	D (mm)	E (mm)
0552F	K03-137141	8DC82	ME352249/50~52 ME092183/84~86	14,886		2	8	LM	135	154	229.7	163	11.8
0553F	K03-137142	8DC91	ME352233/34~6 ME092187/88~90	16,031		2	8	LM	135	154	259.7	163	11.8
0554F	K03-137143	8DC9T-2	ME352241		CR	2	8	LM	135	154	259.7	163	11.8
0562F	K03-137153	6D40	ME120025~ME120030	13,023		6	6	SC	135	140	260.3	149	9
0563F	K03-137154	6M7	ME180960~ME180965	13,023		6	6	SC	135	140	260.6	149	9
0555F	K03-137144	8DC10	ME062783/856~858 ME352225		CR	2	8	LL	138	154	259.7	163	11.8
0556F	K03-137145	8DC10-2	ME062783/856~858 ME352225	16,752		2	8	LJ	138	154	259.7	163	11.8
0557F	K03-147049	8DC11	ME060439/40~42 ME352229	16,752	CR	2	8	LG	142	153	259.7	163	15.0
0558F	K03-147050	8DC11-2	ME060439/40~42 ME352229	16,752		2	8	LG	142	153	259.7	163	15
0561F	K03-147057	8M22T	ME353321~23		CR	2	8	LB	142	169	257.3	178	11.8
0559F	K03-147051	8M20-3	ME356657/58~60			2	8	LB	146	169	258.3	178	11.8
0536F	K03-147041	8M20-NEW	ME352218~21			2	8	LC	146	158	258.3	178	11.8
0560F	K03-157030	8M21-2	ME352199/200~202			2	8	LB	150	169	258.3	178	11.8

# NISSAN

0603S	K03-087062	SD25	11012-L2004	2,488	SEMI	4	4	SA	88.5	92	172	98	5
0602F	K03-087044	SD23	11012-L2002	2,289		4	4	SA	89	92	172	98	5
0605F	K03-087063	TD23 FINISH	11012-O2N17	2,289		4	4	SA	89	92	160	98	5
0606S	K03-097092	BD25/TD25 SEMI	11012-87G40 11012-44G40	2,494	SEMI	4	4	SA	92.4	95.9	160	101.9	5
0607F	K03-097093	BD25/TD25	11012-87G00 11012-44G10	2,494		4	4	SA	92.9	95.9	160	101.9	5
0642S	K03-097136	BD30 SEMI	11012-54T40		SEMI	4	4	SA	95.5	99	172.5	105	5
0623F	K03-097135	BD30	11012-54T00			4	4	SA	96	99	172.5	105	5
0608S	K03-097094	TD27 SEMI	11012-2S040 11012-43G10	2,633	SEMI	4	4	SA	95.5	99	160	105	5
0609F	K03-097095	TD27	11012-2S000	2,633		4	4	SA	96	99	160	105	5
0610S	K03-097131	TD42 SEMI	11012-06J45	4,169	SEMI	6	6	SA	95.5	99	164	105	5
0611F	K03-097132	TD42	11012-06J00	4,169		6	6	SA	96	99	164	105	5
0612F	K03-107200	FD6	11012-Z5573	5,654	CR	6	6	LJ	100	112	212	118	8
0646F	K03-107231	FD42	11012-0T000/1			4	4	SC	108	111	198	116	8
0613F	K03-107176	FE6	11012-Z5518/9	7,000		6	6	SC	108	111	220	116	8
0614F	K03-107187	FE6TA	11012-Z5604 11012-Z5605	7,000		6	6	SC	108	111	217	116	8

TP No.	Label No.	Engine Model	Reference	CC	SEMI/ CR	1Box. Cyl.	No. Cyl.	Type	A (mm)	B (mm)	C (mm)	D (mm)	E (mm)
0615F	K03-107188	FE6T	11012-Z5616	7,000		6	6	SC	108	111	212	116	8
		A500FE	11012-Z5617										
0645F	K03-117169	ND6	11012-95065	6,842		6	6	SC	110	115	229	121	3
			11012-95066										
0647F	K03-127098	MD92TCI	11012-Z6008/9			6	6	SC	125	129	200.7	135	8
0648F	K03-127099	MD92	11012-Z6004/5			6	6	SC	125	129	205.7	135	8
			11012-Z6012/13/16/17										
0616F	K03-127032	PD	11012-96000	10,308		6	6	SC	125	130	259	134	3
			11012-96001										
0617F	K03-137016	PE	11012-96500	11,670		6	6	SC	133	138	259	142	3
		PE6	11012-96501										
0643F	K03-137114	PE	11012-96502/3	11,670		6	6	SC	133	138	259	142	3
0618F	K03-137092	PF,PE6T	11012-96575	12,000		6	6	SC	133	138	259	144	3
			11012-96576										
0619F	K03-137022	RD	11012-97009	14,313		2	8	LJ	135	153	242.84	161	8.14
0621F	K03-137071	RD-8	11012-97165	14,313	CR	2	8	LJ	135	153	242.84	161	8.14
0620F	K03-137062	RD INN.GR.	11012-97062/77	14,313		2	8	LJ	135	153	242.84	161	8.14
0625F	K03-137103	RE8	11012-97202	15,000	CR	2	8	LJ	135	153	235.84	161	11.14
0650F	K03-137134	RE8-2	11012-97202	15,000		2	8	LJ	135	153	235.84	161	11.14
0644F	K03-137118	GE	11012-00Z11/13	13,000	CR	2	6	LJ	136	157.5	243.6	166.5	9.65
0651F	K03-137135	GE-2	11012-00Z11/13	13,000		2	6	LJ	136	157.5	243.6	166.5	9.65
0622F	K03-137102	RF8TA	11012-97200	16,991	CR	2	8	LJ	138	159	235.84	167	11.14
0649F	K03-137122	RF8TA-2	11012-97200	16,991		2	8	LJ	138	159	235.84	167	11.14
0631F	K03-147032	RG8	11012-97269	17,990	CR	2	8	LJ	142	159	235.84	167	11.14
0652F	K03-147046	RG8-2	11012-97269	17,990		2	8	LJ	142	159	235.84	167	11.14
0632F	K03-157021	RH8	11012-97261	21,205		2	8	SC	150	155	246.2	161	8

TF No.	Label No.	Engine Model	Reference	CC	SEMI/ CR	1Box. Cyl.	No. Cyl.	Type	A (mm)	B (mm)	C (mm)	D (mm)	E (mm)
--------	-----------	--------------	-----------	----	-------------	---------------	-------------	------	-----------	-----------	-----------	-----------	-----------

# TOYOTA

0723S	K03-077027	2E	Original		SEMI	4	4	SB	71.5	77	138		
0721S	K03-087074	2C	Original	2,000	SEMI	4	4	SB	85.5	90	180		
0701S	K03-087064	1DZ	11461-78200/1-71	2,184	SEMI	4	4	SA	85.6	89	175	94	5
0702S	K03-087070	2J	11461-48011	3,576	SEMI	4	4/6	SC	87.6	93	183.7	98	2.5
0703S	K02-090071	L	11461-54010	2,188	SEMI	4	4	SC	89.6	94	160.5	101	3.5
0704S	K03-097121	2HK	11461-68010	3,980	SEMI	6	6	SC	90.6	95	183.7	101	2.5
0705S	K03-097087	2L	Original	2,446	SEMI	4	4	SA	91.6	96	160.5	101	3
0706F	K03-097122	2L	Original	2,446		4	4	SA	92	96	160.5	101	3
0708S	K03-097101	1HZ	Original	3,576	SEMI	6	6	SA	93	97	168	103	4
0709S	K03-097127	B	11461-56010	2,997	SEMI	4	4	SC	94.6	100	190.2	108	2.5
0710S	K03-097128	B	11461-56020	2,997	SEMI	4	4	SC	94.6	102	190.2	108	2.5
0711S	K03-097129	B	11461-56030	2,997	SEMI	4	4	SC	94.6	99	191.2	105	2.5
0712S	K03-097100	3L	Original	2,779	SEMI	4	4	SA	95	99	153	105	3
0713F	K03-097123	3L	Original	2,779		4	4	SA	96	99	153	105	3
0714S	K03-097105	1Z	11461-78300/3-71	2,977	SEMI	4	4	SA	95.6	100	182.5	106	8
0716S	K03-097104	2Z	11461-78700/1-71		SEMI	4	4	SA	97.6	101	181.5	107	5
0715S	K03-097130	2B	11461-57010	3,168	SEMI	4	4	SC	97.6	102	190.2	108	2.5
0722S	K03-107213	14B	11461-58040	3,660	SEMI	4	4	SB	101.5	106	192		
0717S	K03-107139	3B(OLD)	11461-58010	3,431	SEMI	4	4	SC	101.6	106	187.7	112	2.5
0718S	K03-107203	3B,13B	11461-58020	3,431	SEMI	4	4	SC	101.6	106	190.2	112	2.5
0720F	K03-107180	2D	11461-77040	6,494		6	6	LE	105	115.5	242	120	10
0719F	K03-107179	2D(NEW)	11461-77021	6,494		6	6	LE	105	115.5	233.3	121	10

# **NUMERICAL LISTING**

## **(Reference No.)**

Reference	Engine Model	TP No.	Page
0107-11-999	UA	33724	36
0211-23-999	PC	33711	36
0222-23-130	UB,VB	33714	37
0222-23-206	UB,VB	33714	37
0249-23-170A	PB	33715	36
0249-23-206	PB	33715	36
0259-23-170A	PB	33715	36
0259-23-206	PB	33715	36
0268-23-170A	PC	33711	36
0268-23-170	PC	33711	36
0268-23-206	PC	33711	36
0271-23-206	PC	33711	36
0290-23-130	VB,NA	33719	37
0305-23-130	VB,NA	33719	37
0317-23-130	PC	33711	36
0317-23-175	PC	33711	36
0324-23-130	TC	33717	36
0324-23-175	TC	33717	36
04130-47010	3NR	36032	79
0453-23-130B	VC	33728	38
0453-23-130	VC	33728	38
0484-23-130	VB,NA	33719	37
0494-23-130	VB,NA	33719	37
0527-23-206	XB	33730	39
0527-23-206	ZB	43006	39
0528-23-206	XB	33730	39
0552-23-180	VA	33725	38
0552-23-190	VA	33725	38
0559-23-206	XA	33721	39
0559-23-207	XA	33721	39
0571-23-170	UA(NEW)	33726	37
0571-23-180	UA(NEW)	33726	37
06-113500-00	PUMA	50053	103
0603-23-170A	UA	33724	36
0603-23-999	UA	33724	36
0636-23-206	XA	33721	39
0636-23-207	XA	33721	39
0636-23-210	XA	33721	39
0727-23-206	YA	33723	39
0727-23-207	YA	33723	39
0727-23-210	YA	33723	39
0728-23-206	YA	33723	39
0728-23-207	YA	33723	39
0784-23-206	ZB	33731	40

Reference	Engine Model	TP No.	Page
0K2Y3-11-SCO	CARENS	43020	100
0K3Y0-11-SCO	B3	43012	100
0K3Y2-11-SCO	B3	43012	100
0K3Y3-11-SCO	SPECTRA 1.6	43025	100
0K9YV-11-SCO	2.5EGI	43019	100
1-12121-011/cyl	DA640T	32546	29
1-12121-013/cyl	D920	32541	33
1-12121-015/cyl	E120H	32543	34
1-12121-016/cyl	DH100A	32519	33
1-12121-017/cyl	DH100-H	32567	33
1-12121-018/cyl	8MA-1	32550	34
1-12121-019/cyl	8MA-1	32550	34
1-12121-021/cyl	D920	32522	33
1-12121-022/cyl	D920	32522	33
1-12121-023/cyl	E120	32525	34
1-12121-024/cyl	E120H	32543	34
1-12121-025-0/cyl	V170	32526	34
1-12121-028/cyl	6QA-1	32568	33
1-12121-037/cyl	6RB-1,2	32585	34
1-12121-040/cyl	6RB-1,2	32585	34
1-12121-043/cyl	10PB-1	32562	32
1-12121-046/cyl	6QA-1	32568	33
1-12121-047-0/cyl	10PC-1	32582	32
1-12121-048-0/cyl	10PC-1	32582	32
1-12121-052/cyl	6BF-1	32559	30
1-12121-052/cyl	6BF-1	62559	30
1-12121-062-0/cyl	10PC-1A	32584	33
1-12121-063-0/cyl	10PC-1A	32584	33
1-12121-063-2/cyl	10PD1	32603	33
1-12121-065-0/cyl	6BG1	32597	30
1-12121-070-0/cyl	6SA-1	32580	32
1-12121-075-0/cyl	6SA-1	32580	32
1-12121-087-0	6BD1	32643	28
1-12121-094-1/cyl	6SD1	32637	33
1-12121-096-0/cyl	6QB2	32633	33
1-12121-102-1/cyl	6RB-T	32610	34
1-12121-113-0/cyl	6SA-1	32580	32
1-12121-115-0/cyl	6BG1-TC	32626	30
1-12121-117/cyl	6WA1TC	32641	34
1-12121-127/cyl	6WA1TC	32641	34
1-12121-129-1	10PE-1	32642	34
1-12121-136/cyl	6WA1TC	32641	34
1-12121-138-1/cyl	10TD1	32697	35
1-12121-139/1cyl	6WA1TC	32662	34



Reference	Engine Model	TP No.	Page
1-12121-146-0	6BG1T	32681	31
1-12121-146-0	6BG1T	32695	31
1-12181-001/cyl	DH100A	32519	33
1-12181-005/cyl	DA120A	32517	28
1-12181-005/cyl	DA120A	32688	28
1-12181-006-0/cyl	DA220A	32540	28
1-12181-008-0/cyl	V170	32526	34
1-12181-011/cyl	8MA-1	32550	34
1-12181-016/cyl	10PA-1	32548	32
1-12181-022/cyl	E120H	32543	34
1-12181-032/cyl	8MA-1	32550	34
1-12181-033/cyl	DA640A	32518	29
1-12181-034-0/cyl	DA640PP	32625	29
1-12181-035/cyl	DA640T	32546	29
1-12181-036/cyl	DA120A	32517	28
1-12181-036/cyl	DA120A	32688	28
1-12181-038-0/cyl	DA220A	32540	28
1-12181-049/cyl	DH100-H	32567	33
1-12181-050/cyl	DH100	32508	33
1-12181-058/cyl	10PB-1	32562	32
1-12181-060/cyl	10PA-1	32548	32
1-12181-061/cyl	10PB-1	32562	32
1-12181-068/cyl	DH100	32508	33
1-12181-069/cyl	10PB-1	32562	32
1-12181-087/cyl	DA120A	32517	28
1-12181-087/cyl	DA120A	32688	28
1-12181-109/cyl	DA120A	32517	28
1-12181-109/cyl	DA120A	32688	28
1-12181-111-0/cyl	DA220A	32540	28
1-12181-128/cyl	DA120A	32517	28
1-12181-128/cyl	DA120A	32688	28
1110A436	4B11	33991	47
1110A497	6G75	33993	51
1110A561	4D56 TDI	33979	49
1110A822	4B12	33992	48
1110A851	4M41-TI	33956	52
1110A937	6G72-S4(NEW)	33409	49
1110B098	4G94-S4	33966	46
1110B099	4G94-S4	33966	46
1110B100	4G94-S4	33966	46
1110B180	6G72 BK	33430	49
1110B302	4M41-DID	33422	52
1110B435	6B31	33977	48
1110B571	6G75	33993	51

Reference	Engine Model	TP No.	Page
1110B587	6G74-FFV 93	33412	50
1110B654	4M41-PSU	33423	52
1110B795	4B10	33417	47
1110B806	6G75	33993	51
1110B934	4N13	33996	46
1110B977	4D56(D4)	33454	48
1110C103	4B10	33417	47
1110C162	4B12	33992	48
12033-01B05	MA10	34090	58
12033-01B10	MA10	34090	58
12033-01B11	MA10	34090	58
12033-01E00	CA18	34063	61
12033-01E10	CA18	34063	61
12033-01F00	CA18	34063	61
12033-01L00	L20A-2	34059	60
12033-01M01	E13	34053	59
12033-01M02	E13	34053	59
12033-01M10	E13	34053	59
12033-01M12	E13	34053	59
12033-01T10	FD35	34094	70
12033-01T60	FD35T	34093	70
12033-01W60	J15	34031	60
12033-01W61	J15	34031	60
12033-01W62	J15	34031	60
12033-02N00	TD23	34105	67
12033-02N10	TD23	34105	67
12033-02N11	TD23	34105	67
12033-02P10	VG30	34065	65
12033-03J00	TB42	34087	68
12033-03P00	VG30	34065	65
12033-03P10	VG30	34065	65
12033-04E00	CA20	34056	63
12033-04E10	CA20	34056	63
12033-04W00	Z20-3	34068	64
12033-05B10	GA13DS	34144	58
12033-05B11	GA13DS	34144	58
12033-05D01	TD42T	34102	68
12033-06E00	CA16S	34062	60
12033-06E10	CA16S	34062	60
12033-06J10	TD42	34098	68
12033-06J11	TD42	34098	68
12033-06W10	Z22	34050	65
12033-06W20	Z22	34050	65
12033-0T011	FD42	34120	70

Reference	Engine Model	TP No.	Page
12033-0W000	VG33	34132	67
12033-0W010	VG33	34132	67
12033-0W813	ZD30T	34137	69
12033-0W814	ZD30T	34137	69
12033-10W00	Z24	34070	67
12033-13E00	CA20	34086	63
12033-13G10	Z24-2	34077	67
12033-14601	H20	34017	66
12033-15G10	VG30-I	34150	65
12033-15V00	VG30-I	34150	65
12033-16A00	CD17	34061	61
12033-17F00	CA18-DET	34180	61
12033-17F00	CA18ET	34066	61
12033-17M00	E13	34053	59
12033-17M10	E13	34053	59
12033-17V00	VG30-2	34189	65
12033-17V01	VG30-2	34189	65
12033-18F00	CA18-DET	34180	61
12033-18F00	CA18ET	34066	61
12033-18F10	CA18-DET	34180	61
12033-18F10	CA18ET	34066	61
12033-1W411	QD32	34136	69
12033-21000	L16	34023	61
12033-21P10	VG30	34065	65
12033-22J11	RD28	34129	63
12033-23000	L16	34023	61
12033-24G00	Z18	34042	63
12033-28500	G15	34032	61
12033-2J210	SR20	34186	64
12033-2S610	QD32NA	34118	69
12033-2W211	ZD30T	34137	69
12033-30W10	Z24	34070	67
12033-31D03	FD46T	34121	70
12033-31U00	VQ20	34112	59
12033-31U01	VQ20	34112	59
12033-35R00	CA20	34086	63
12033-37500	SD22	34022	62
12033-37N10	TD27T	34092	68
12033-3S910	TD25T1	34135	67
12033-3T602	NA20	34111	64
12033-41B01	CG	34197	58
12033-41M01	E10	34067	58
12033-41M02	E10	34067	58
12033-43G10	TD27	34075	68

Reference	Engine Model	TP No.	Page
12033-43G11	TD27	34075	68
12033-44F00	CA18-DET	34180	61
12033-44G10	TD25	34078	67
12033-47U01	VQ30DE	34091	67
12033-4M70A	QG18	34195	61
12033-4M802	SR20-2	34187	65
12033-4W005	VQ35	34130	68
12033-53F01	KA24	34114	66
12033-53J00	SR20	34085	64
12033-53Y00	GA15	34084	59
12033-54T10	BD30	34116	68
12033-56T10	ED35	34192	70
12033-57J00	CD20	34097	63
12033-57Y00	GA16	34082	59
12033-57Y01	GA16	34082	59
12033-58003	P	34007	64
12033-58004	P	34007	64
12033-58005	P	34007	64
12033-5M370	QG15DE	34207	59
12033-5T115	TD25-2	34095	67
12033-5V110	KA24DE	34143	66
12033-61500	SD33	34034	62
12033-61502	SD33	34034	62
12033-61503	SD33	34034	62
12033-61A00	E13	34053	59
12033-61E10	CA20	34086	63
12033-66001	H30	34020	66
12033-67S10	RB30E	34076	64
12033-6T010	TD27-2	34096	68
12033-70F00	KA24	34114	66
12033-73401	L20	34019	60
12033-73402	L20	34019	60
12033-76202	SD22	34022	62
12033-76203	SD22	34022	62
12033-76204	SD22	34022	62
12033-78520	L18	34028	63
12033-78521	L18	34028	63
12033-7J910	QG16DE	34198	59
12033-83W00	Z24-2	34077	67
12033-84A11	GA16	34082	59
12033-85G00	NA20S	34188	64
12033-85G10	NA20S	34188	64
12033-86G00	TA3I	34194	67
12033-86G01	TA3I	34194	67

Reference	Engine Model	TP No.	Page
12033-87A00	GA14	34081	58
12033-87A10	GA14	34081	58
12033-8H301	QR25	34149	66
12033-8J100	VQ35DE	34196	68
12033-8M100	QG18DE	34131	61
12033-94M00	GA16-DS	34079	59
12033-94M01	GA16-DS	34079	59
12033-94M02	GA16-DS	34079	59
12033-9C626	LD23	34103	65
12033-9E000	KA24DE	34147	66
12033-9H500	QR25	34149	66
12033-A0600	L16	34023	61
12033-A3500	L16	34023	61
12033-A3501	L16	34023	61
12033-A6200	A12	34001	58
12033-A8620	L24	34035	62
12033-A8701	L18	34028	63
12033-A8702	L18	34028	63
12033-AE003	QR20DE	34190	66
12033-AV300	QG18DE	34131	61
12033-AW400	YD22	34167	65
12033-AX001	CR12DE	34199	58
12033-AX00A	CR12DE	34199	58
12033-AX201	EJ5KK	34178	58
12033-B3030	J15	34031	60
12033-B3040	A12	34001	58
12033-B4910	RB30E	34076	64
12033-B8200	J15	34031	60
12033-C6000	P	34007	64
12033-C8702	SD33T	34191	62
12033-C8704	SD33T	34191	62
12033-CK80A	MR20DE	34162	62
12033-D0120	CA16S	34062	60
12033-D0210	CA18	34063	61
12033-D0400	CA16S	34062	60
12033-D0500	CA18	34063	61
12033-D1700	CA20	34056	63
12033-D2000	CA20	34056	63
12033-D4210	CA18-DET	34180	61
12033-D5810	Z20-3	34068	64
12033-D8500	Z22	34050	65
12033-DB010	TD27-4	34159	68
12033-DY712	TD42T-2	34160	68
12033-E3030	L20A	34025	60

Reference	Engine Model	TP No.	Page
12033-E3100	L24	34035	62
12033-E3110	L24	34035	62
12033-E6620	G20	34030	66
12033-E6800	G20	34030	66
12033-EB70A	YD25-2	34206	67
12033-EE000	HR16DE	34177	60
12033-EN200	MR20DE	34162	62
12033-EN20A	MR20DE	34162	62
12033-F1100	Y40	34043	67
12033-F1110	Y40	34043	67
12033-F2700	Y40	34043	67
12033-F6500	VG30-DE	34181	65
12033-F6510	VG30-DE	34181	65
12033-F6511	VG30-DE	34181	65
12033-H6200	A12	34001	58
12033-H6201	A12	34001	58
12033-H7200	A14	34606	59
12033-H7680	A15	34038	59
12033-H8500	A12A	34037	59
12033-H8660	A14	34606	59
12033-H8900	A14	34606	59
12033-H9800	A15	34038	59
12033-H9810	A15	34038	59
12033-H9910	A14	34606	59
12033-H9915	A15	34038	59
12033-H9918	A15	34038	59
12033-J2001	ED30	34609	69
12033-J2002	ED30	34609	69
12033-J2004	ED30	34609	69
12033-J2006	ED30	34609	69
12033-J2190	J18	34080	61
12033-J21G0	J18	34080	61
12033-J2200	SD33	34034	62
12033-J2202	SD33	34034	62
12033-J2204	SD33	34034	62
12033-J6500	ED33	34044	69
12033-J6501	ED33	34044	69
12033-KA421	EN	35224	75
12033-KA790	EN07	35223	75
12033-L2000	SD23	34064	67
12033-L2002	SD23	34064	67
12033-L2003	SD23	34064	67
12033-L2004	SD23	34064	67
12033-N4200	L28	34608	64

Reference	Engine Model	TP No.	Page
12033-N4210	L28	34608	64
12033-N4220	L28	34608	64
12033-N7900	J18	34080	61
12033-N8500	Z20-2	34057	64
12033-N8510	Z18	34042	63
12033-N8520	Z18	34042	63
12033-NA010	ZD30T	34137	69
12033-OH600	TZ3P	34169	65
12033-OW81A	TD27-3	34158	68
12033-P7900	L28-2	34055	64
12033-P7910	L28-2	34055	64
12033-P8360	L28	34608	64
12033-P8370	L28	34608	64
12033-P8600	L28-2	34055	64
12033-P8610	L28-2	34055	64
12033-R8100	SD22-2	34054	62
12033-R8103	SD22-2	34054	62
12033-R8104	SD22-2	34054	62
12033-R8110	SD22-2	34054	62
12033-R8112	SD22-2	34054	62
12033-R8114	SD22-2	34054	62
12033-R9000	H20	34017	66
12033-R9023	H20	34017	66
12033-T9000	ED33	34044	69
12033-U6000	L18	34028	63
12033-U6001	L18	34028	63
12033-U6002	L18	34028	63
12033-V0300	L20A	34025	60
12033-V0310	L20A	34025	60
12033-V0400	L20A	34025	60
12033-V0700	LD28	34039	63
12033-V1310	SD22	34022	62
12033-V8000	VG30-I	34150	65
12033-VB000	TB45	34104	69
12033-VB000	TB48DE	34145	69
12033-VC200	TB48DE	34145	69
12033-VK510	YD25TI	34134	67
12033-VK520	YD25	34182	67
12033-VK610	TD27-3	34158	68
12033-VK610	ZD30T	34166	68
12033-VR300	K30	34170	64
12033-VW211	ZD30	34164	68
12033-W0700	L16	34023	61
12033-W0805	L18	34028	63

Reference	Engine Model	TP No.	Page
12033-W0810	L24	34035	62
12033-W0815	L18	34028	63
12033-W1600	L18	34028	63
12033-W1700	LD20	34040	63
12033-W2400	L24E	34051	62
12033-W2410	L24E	34051	62
12033-W2420	L24E	34051	62
12033-W3100	L24E-2	34052	62
12033-W7110	L16	34023	61
12033-WD000	YD22-2	34168	65
12033-WD310	QG18DE-2	34202	61
12033-Y1400	SD22	34022	62
12033-Y1401	SD22	34022	62
12033-Y1402	SD22	34022	62
12033-Y1404	SD22	34022	62
12033-Y1410	SD22	34022	62
12033-Y1412	SD22	34022	62
12033-Y4460	H20	34017	66
12033-Y7000	L20E	34036	60
12033-Y7010	L20E	34036	60
12033-Y7011	L20E	34036	60
12033-Z5004	ED33	34044	69
12033-Z5502/cyl	FD6T	34146	69
12033-Z5504/cyl	FD6T(NEW)	34152	70
12040-00Z07	GE13TD	34184	73
12040-90008	UD-3	34009	71
12040-90025	PE-6	34155	72
12040-90025	PE-6	34502	72
12040-90026	PD-6	34154	72
12040-90026	PD-6	34501	72
12040-90028	PD6T	34048	72
12040-90029	PD-6	34154	72
12040-90029	PD-6	34501	72
12040-90127	ND-6	34500	71
12040-90229	RD-10	34504	73
12040-90325	RD-8	34151	73
12040-90325	RD-8	34503	73
12040-95004	ND-6	34500	71
12040-95006	ND-6	34500	71
12040-95012	NE6	34115	71
12040-95013	NE6	34115	71
12040-95014	NE6	34115	71
12040-95029	NE6	34115	71
12040-95501	NF	34171	71

Reference	Engine Model	TP No.	Page
12040-96004	PD-6	34154	72
12040-96004	PD-6	34501	72
12040-96005/cyl	PD6T	34048	72
12040-96026	PD-6	34154	72
12040-96026	PD-6	34501	72
12040-96028	PE-6	34155	72
12040-96028	PE-6	34502	72
12040-96125	PD6T	34048	72
12040-96127	PD-6	34154	72
12040-96127	PD-6	34501	72
12040-96128	PE-6	34155	72
12040-96128	PE-6	34502	72
12040-96129	PD6T	34048	72
12040-96225/cyl	PE-6T	34049	72
12040-96226	PD-6	34154	72
12040-96226	PD-6	34501	72
12040-96228	PE-6T	34049	72
12040-96228	PE-6T	34161	72
12040-96504	PE-6T	34049	72
12040-96504	PE-6T	34161	72
12040-96509	PE-6T	34049	72
12040-96509	PE-6T	34161	72
12040-96510	PE-6T	34049	72
12040-96510	PE-6T	34161	72
12040-96512	PE-6T	34049	72
12040-96512	PE-6T	34161	72
12040-96513	PE-6T	34049	72
12040-96513	PE-6T	34161	72
12040-96517	PE6T	34088	72
12040-96531	PE-6	34155	72
12040-96531	PE-6	34502	72
12040-96564	PF6	34106	72
12040-96564	PF6-2	34122	72
12040-96566	PF6	34106	72
12040-96566	PF6-2	34122	72
12040-96570	PF6	34106	72
12040-96570	PF6-2	34122	72
12040-97007/cyl	RD-8	34151	73
12040-97007/cyl	RD-8	34503	73
12040-97008/cyl	RD-8	34151	73
12040-97008/cyl	RD-8	34503	73
12040-97025	RD-8	34151	73
12040-97025	RD-8	34503	73
12040-97026	RD-8	34151	73

Reference	Engine Model	TP No.	Page
12040-97026	RD-8	34503	73
12040-97028	RD-8	34151	73
12040-97028	RD-8	34503	73
12040-97072	RF8-2	34124	73
12040-97072	RF8	34073	73
12040-97079	RE8-2	34123	73
12040-97079	RE8	34107	73
12040-97101	RF8T	34108	73
12040-97101	RF8T-2	34204	73
12040-97103	RG8	34109	74
12040-97103	RG8	34156	74
12040-97104	RF8-2	34124	73
12040-97104	RF8	34073	73
12040-97105	RH8,10	34110	74
12040-97106	RH8,10	34110	74
12040-97126	RD-8	34151	73
12040-97126	RD-8	34503	73
12040-97127	RD-10	34504	73
12040-97226	RD-8	34151	73
12040-97226	RD-8	34503	73
12040-97227	RD-10	34504	73
12040-ND000	A790 RF8TI	34174	73
12040-ND001	A790 RG	34175	74
12040-ND003	A790 RH	34176	74
12040-Z5001/cyl	FD-6	34610	69
12040-Z5005/cyl	FD-6	34045	69
12040-Z5025	FD-6	34610	69
12040-Z5026/cyl	FD-6	34610	69
12040-Z5027	FD-6	34610	69
12040-Z5028	FD-6	34045	69
12040-Z5501/1CYL	FD6T-2	34157	70
12040-Z5504	FE6	34100	70
12040-Z5504	FE6	34153	70
12040-Z5505	FE6T	34101	70
12040-Z5505	FE6T	34125	70
12040-Z5511	FE6	34100	70
12040-Z5511	FE6	34153	70
12040-Z5512	FE6T	34101	70
12040-Z5512	FE6T	34125	70
12040-Z5517	FE6T	34101	70
12040-Z5517	FE6T	34125	70
12040-Z5519	FE6TA	34126	71
12040-Z5525	FD6T-2	34157	70
12040-Z5526	FD6T-2	34157	70

Reference	Engine Model	TP No.	Page
12040-Z5527	FD6T	34146	69
12040-Z5528	FD6T(NEW)	34152	70
12040-Z5560	FE6TA	34126	71
12040-Z5561/cyl	A500FET	34193	70
12040-Z5561	FE6TA	34126	71
12040-Z5564	FE6TA	34126	71
12040-Z5603/cyl	A500FET	34193	70
12040-Z5603	FE6TA	34126	71
12040-Z5608	FE6T-2	34201	71
12040-Z6002	MD92TCI	34183	71
12040-Z6004	MD92TCI	34183	71
12140-50E50	F6A-T	35620	76
12140-51E50/cyl	F6A	35582	76
12140-51F10	F6A-N	35621	76
12140-52D00	H27	35627	78
12140-54GA0	LOW	35611	78
12140-60A50/cyl	G16A	35583	77
12140-61G50/cyl	E12	35592	77
12140-61J00	G15A	35615	77
12140-63871/cyl	T5A	35569	76
12140-63E50	SR413	35598	77
12140-63E50	SR413	35616	77
12140-65J00	J20A-2	35635	78
12140-67011/cyl	T5A	35569	76
12140-67810/cyl	L50	35574	76
12140-67811/cyl	L50	35574	76
12140-67820/cyl	L60	35570	77
12140-68811/cyl	T5A	35569	76
12140-69G02	69G	35625	78
12140-72811/cyl	Y30	35579	76
12140-72F00	G10	35628	77
12140-73000/cyl	F5A	35572	76
12140-73000/cyl	F8A	35573	76
12140-73010/cyl	F5A	35572	76
12140-73010/cyl	F8A	35573	76
12140-73601	K6A	35618	76
12140-73D00	Y7AT7	35619	76
12140-73G01	K6A	35622	76
12140-75110/cyl	F10A	35576	76
12140-75111/cyl	F10A	35576	76
12140-75F30-000	K12A	35626	77
12140-77E00	J20A	35617	78
12140-78410	SS80	35636	77
12140-78411/cyl	SS80	35586	77

Reference	Engine Model	TP No.	Page
12140-78B00-000	F8	41002	95
12140-82050/cyl	G10	35580	77
12140-82050/cyl	G10	35584	77
12140-82051/cyl	G10	35580	77
12140-82051/cyl	G13A	35587	77
12140-82X50	G10	35614	77
12140-85FA0	FAO	35610	78
12140-86FAO	H25A	35634	78
12181-007/cyl	DA640A	32518	29
12181-014/cyl	DA640T	32546	29
12181-074/cyl	DA640A	32518	29
12181-088/cyl	DA640A	32518	29
12181-110/cyl	DA640A	32518	29
12181-601/cyl	4BA-1	32529	27
12181-601/cyl	4BA-1	62529	27
12181-619/cyl	4BA-1	32529	27
12181-619/cyl	4BA-1	62529	27
13011-0H020	2AZ-FE	35967	89
13011-0H040	2AZ	36042	89
13011-0H041	2AZ	36042	89
13011-0L070	2KDFTV	36049	90
13011-10070	1E	35878	79
13011-10080	1E	35878	79
13011-10081	1E	35878	79
13011-1010	EK100	32226	15
13011-1010	EK100	32292	15
13011-1011	EK100	32226	15
13011-1011	EK100	32292	15
13011-1021B	EK100	32226	15
13011-1021B	EK100	32292	15
13011-1032A	EH300	32206	10
13011-1062	EH300	32206	10
13011-1091A,B	EF300	32225	14
13011-1100	EF300	32225	14
13011-1101	EF300	32225	14
13011-11040	2E-U	35879	79
13011-11041	2E-U	35879	79
13011-11060	2E-U	35879	79
13011-11061	2E-U	35879	79
13011-11064	2E-2	35919	79
13011-11072	2E-U	35879	79
13011-11080	3E	35883	79
13011-11090	3E	35883	79
13011-1111	EF700	32227	15

Reference	Engine Model	TP No.	Page
13011-11122	4E,5E	35954	79
13011-11140	4E,5E	35954	79
13011-11160	4E,5E	35954	79
13011-1121B	EF700	32227	15
13011-1122	EF700	32227	15
13011-1131B	EG100	32220	14
13011-1141	EG100	32220	14
13011-1142	EG100	32220	14
13011-1150	EH100	32222	10
13011-1180A	EF100	32219	14
13011-1200	DK10,20	32208	13
13011-12010	2K	35823	79
13011-12030	2K	35823	79
13011-12031	2K	35823	79
13011-1210	DS70	32201	10
13011-1230	DS50	32202	11
13011-1250	DS50	32202	11
13011-1261	DS50	32202	11
13011-1270	DK10,20	32208	13
13011-1280A	DK10,20	32208	13
13011-1290	DK10,20	32208	13
13011-1300	EB100	32215	12
13011-13010	4K	35863	80
13011-13030	4K-C	35896	80
13011-13040	1S-U	35861	82
13011-13050	1S-U	35861	82
13011-13060	4K	35863	80
13011-13080	1S-U	35861	82
13011-13090	1S-U	35861	82
13011-13100	7K	35922	82
13011-1310	EB100	32215	12
13011-13110	7K	35922	82
13011-13120	7K	35922	82
13011-1330	EB300	32217	13
13011-1350A	DM100	32211	9
13011-1360A	DQ100	32203	9
13011-1390	EC100	32204	9
13011-1400	EC100	32204	9
13011-14010	2A	35857	81
13011-14020	2A	35857	81
13011-14021	2A	35857	81
13011-1410	EH100	32222	10
13011-1460	EG100	32220	14
13011-1470	ED100	32218	14

Reference	Engine Model	TP No.	Page
13011-1480	ED100	32218	14
13011-15010	1A	35854	81
13011-15011	1A	35854	81
13011-15020	1A	35854	81
13011-15021	1A	35854	81
13011-15031	1A	35854	81
13011-15050	5A	35894	81
13011-15100	5A-F	35920	81
13011-15120	5A-F	35920	81
13011-15130	8A	35939	81
13011-1550A	DS70	32201	10
13011-1570A	EF100	32219	14
13011-1580	EF100	32219	14
13011-1590	EF100	32219	14
13011-16010	4A	35876	82
13011-16011	4A	35876	82
13011-16031	4A	35876	82
13011-16032	4A	35876	82
13011-16050	4AGEU	35951	83
13011-16090	4AGEU	35951	83
13011-1610B	EH700	32239	11
13011-16130	4AF	35908	83
13011-16140	4AF	35908	83
13011-16150	4AF	35908	83
13011-16180	4AGEU	35951	83
13011-16190	4AGE	35910	83
13011-16200	4AGE	35910	83
13011-1620A	EH700	32239	11
13011-16210	4AGE	35910	83
13011-16230	N4AG	35989	83
13011-16280	4AFE	35913	83
13011-16290	4AFE	35913	83
13011-16300	4AFE	35913	83
13011-1630	EB400	32231	13
13011-16320	7A-FE	35938	83
13011-16330	7A-FE	35938	83
13011-16340	4AFE	35913	83
13011-16350	4AG	35976	83
13011-1640A	EB400	32231	13
13011-1650	DS50	32202	11
13011-1660	ED100	32218	14
13011-1670A	ED100	32218	14
13011-1680	DS50	32202	11
13011-1690	EB100	32215	12



Reference	Engine Model	TP No.	Page
13011-1700	EL100	32230	13
13011-17010	1HZ	35898	91
13011-17011	1HZ	35898	91
13011-17020	1HZ	35898	91
13011-17030	1HZ	35898	91
13011-17040	1HD-FTE	35970	91
13011-1710	EL100	32230	13
13011-1720	EB300	32217	13
13011-1730A	EB300	32217	13
13011-1740	EV700	32233	15
13011-1741	EV700	32233	15
13011-1751	EV700	32233	15
13011-1780	EB100	32215	12
13011-18030	1PZ	35949	91
13011-1830	DS50	32202	11
13011-1921A	EM100	32283	14
13011-1931	EM100	32283	14
13011-1952	EP100	32282	13
13011-1961	H06C-TA	32237	10
13011-1973	W04D	32235	9
13011-1973	W04D	32273	9
13011-1983	W04D	32273	10
13011-1983	W06D	32236	10
13011-20010	1MZ-FE	35935	87
13011-20012	1MZ-FE	35935	87
13011-20020	1MZ-FE	35935	87
13011-20050	2MZ	36026	87
13011-2070A	EH700	32239	11
13011-2090	EH700	32239	11
13011-21030	1NZ-FXE	35973	80
13011-21041	2NZ-FE	35974	80
13011-21050	2NZ-FE	35974	80
13011-21060	2NZ-FE-2	35975	81
13011-21070	1NZ-FXE	35973	80
13011-21091	1NZ-FE-2	36046	80
13011-2150	EG100	32220	14
13011-2160	EG100	32220	14
13011-2170B	EF700	32227	15
13011-2180	EF700	32227	15
13011-2200A	EV700	32233	15
13011-22011	3K	35815	80
13011-22030	1,3,4ZZ	35950	81
13011-22040	1,3,4ZZ	35950	81
13011-22090	1,3,4ZZ	35950	81

Reference	Engine Model	TP No.	Page
13011-22100	1,3,4ZZ	35950	81
13011-2210A	EK100	32226	15
13011-2210A	EK100	32292	15
13011-22111	1,3,4ZZ	35950	81
13011-22140	TZZ-FE	36021	81
13011-22200	1,3,4ZZ	35950	81
13011-2221A	EK100	32226	15
13011-2221A	EK100	32292	15
13011-22220	1,3,4ZZ	35950	81
13011-22221	1,3,4ZZ	35950	81
13011-22230	1,3,4ZZ	35950	81
13011-2250	M10-U	32275	14
13011-2270A	W04C-T	32277	9
13011-2270C	W04C-T	32277	9
13011-23010	3P	35822	81
13011-23030	3P	35822	81
13011-23040	1SZ-FE	35991	79
13011-23041	1SZ-FE	35991	79
13011-23051	1SZ-FE	35991	79
13011-23060	2SZ-FE	36019	79
13011-23070	2SZ	31060	7
13011-23073	2SZ	31060	7
13011-24010	3K	35815	80
13011-24011	3K	35815	80
13011-24012	3K	35815	80
13011-24020	3K	35815	80
13011-24030	3K	35815	80
13011-2410	K13C	32251	15
13011-2420	W04D	32273	10
13011-2420	W06D	32236	10
13011-2440	W04D	32273	10
13011-2440	W06D	32236	10
13011-25010	T	35824	82
13011-25020	T	35824	82
13011-25032	T	35824	82
13011-25033	T-J	35864	82
13011-25041	T	35824	82
13011-25042	T-J	35864	82
13011-2540	W04D	32235	9
13011-2540	W04D	32273	9
13011-2550B	W04C-T	32277	9
13011-26020	2T	35825	84
13011-26040	2T	35825	84
13011-26041	2T	35825	84



Reference	Engine Model	TP No.	Page
13011-26090	2AD	36016	86
13011-26100	2AD	36016	86
13011-26110	2AD	36016	86
13011-2650	H07D	32254	11
13011-2651	H07D	32254	11
13011-2660	H07D	32254	11
13011-2671	H07C-T	32247	11
13011-2672	H07C-T	32247	11
13011-27020	2T	35825	84
13011-27030	1CD	35977	83
13011-27040	1CDA	35996	83
13011-2760	EP100	32282	13
13011-2792A	F20C	32267	16
13011-2792	F20C	32252	16
13011-28010	3T	35958	84
13011-28011	3T	35958	84
13011-28012	3T	35958	84
13011-28020	3T	35958	84
13011-28030	3T	35958	84
13011-28031	3T	35958	84
13011-28070	3T	35958	84
13011-28071	3T	35958	84
13011-2810	F17C	32248	16
13011-2810	F17C	32279	16
13011-28101	2AZ-FE	35967	89
13011-28102	2AZ-FE	35967	89
13011-28110	1AZ-D4	35997	85
13011-28120	1AZ	35963	85
13011-28121	1AZ	35963	85
13011-28130	1AZ	36030	85
13011-28151	2AZ-FE	35967	89
13011-28160	2AZ	36042	89
13011-28161	2AZ	36042	89
13011-28190	2AZ	36042	89
13011-28200	1AZ-D4	35997	85
13011-2820	F17C	32248	16
13011-2820	F17C	32279	16
13011-28210	1AZ	35963	85
13011-28220	1AZ	35963	85
13011-28240	2AZ	36042	89
13011-2870	M10-U	32275	14
13011-2891A	W04C-TI	32286	9
13011-2960A	J08C-3	32268	12
13011-2961A	J08C-3	32268	12

Reference	Engine Model	TP No.	Page
13011-2962A	J08C-3	32268	12
13011-2970	K13D	32253	15
13011-2970	K13D	32293	15
13011-2980A	F20C	32267	16
13011-2981A	F20C	32267	16
13011-2990	K13D	32253	15
13011-2990	K13D	32293	15
13011-2991	K13D	32253	15
13011-2991	K13D	32293	15
13011-30020	1KD	35987	93
13011-30022	1KD	35987	93
13011-30030	2KD	35986	90
13011-30031	2KD	35986	90
13011-30040	1KD	35987	93
13011-30050	1KD	35987	93
13011-31010	2R	35811	81
13011-31030	2R	35811	81
13011-31040	2R	35811	81
13011-31050	12R	35830	82
13011-31051	12R	35830	82
13011-31051	12R	35907	82
13011-31060	12R	35830	82
13011-31060	12R	35907	82
13011-31061	12R	35830	82
13011-31061	12R	35907	82
13011-31070	12R	35830	82
13011-31070	12R	35907	82
13011-31081	12R	35830	82
13011-31081	12R	35907	82
13011-31090	12R	35830	82
13011-31090	12R	35907	82
13011-31100	1GR-FE	35968	91
13011-3110A	P11C	32264	13
13011-31110	3GR-D4	35998	87
13011-3111A	P11C	32264	13
13011-3112A	P11C	32264	13
13011-31130	2GR-FE	36002	92
13011-3114A	P11C	32264	13
13011-3114B	P11C	32264	13
13011-3114C	P11C	32264	13
13011-31150	2GR-FE	36002	92
13011-31170	3GR-D4	35998	87
13011-31180	3GR-FE	36020	87
13011-3150	F17C	32248	16

Reference	Engine Model	TP No.	Page
13011-3150	F17C	32279	16
13011-3160	F17C	32248	16
13011-3160	F17C	32279	16
13011-3221A	J05C	32271	12
13011-3221A	J05C	32298	12
13011-3250A	F20C	32267	16
13011-3281A	H06C-TI	32261	10
13011-33010	6R	35820	85
13011-33020	6R	35820	85
13011-33021	6R	35820	85
13011-33022	6R	35820	85
13011-33030	6R	35820	85
13011-33041	1ND	36006	79
13011-3310A	F21C	32276	16
13011-3320A	F20C-E	32278	16
13011-3371A	J07C-3	32269	12
13011-3371B	J07C-3	32269	12
13011-3391B	J05C-3	32270	12
13011-34012	18R	35831	89
13011-34013	18R	35831	89
13011-34020	18R	35831	89
13011-34021	18R	35831	89
13011-34022	18R	35831	89
13011-34030	18R	35831	89
13011-34050	18R	35831	89
13011-3450A	F21C	32276	16
13011-3470A	H07C-T2	32262	11
13011-35010	22R	35852	90
13011-35020	22R	35852	90
13011-35030	22R	35852	90
13011-35040	22R-2	35881	90
13011-35041	22R-4	35945	91
13011-35050	22R-2	35881	90
13011-35052	22R-2	35881	90
13011-35060	22R-2	35881	90
13011-35061	22R-2	35881	90
13011-35070	22R-2	35881	90
13011-35071	22R-3	35933	91
13011-3510A	H07C-T2	32262	11
13011-3520	H06C-T	32255	10
13011-3570A	J08C	32263	12
13011-3590	K13C-TE	32250	15
13011-37030	21R	35853	84
13011-37050	21R	35853	84

Reference	Engine Model	TP No.	Page
13011-37060	21R	35853	84
13011-37070	21R-2	35880	84
13011-37071	21R-2	35880	84
13011-37090	1,2,3ZR	36036	82
13011-37140	1,2,3ZR	36036	82
13011-37160	1,2,3ZR	36036	82
13011-3731A	S05C	32259	12
13011-3750B	EK100	32226	15
13011-3750B	EK100	32292	15
13011-3800A	P11C	32264	13
13011-38010	18R	35831	89
13011-38020	18R	35831	89
13011-38030	20R	35849	89
13011-38040	18R	35831	89
13011-38060	18R	35831	89
13011-3810A	P11C	32264	13
13011-3811A	P11C	32264	13
13011-3820A	J08C	32263	12
13011-3830A	P11C	32264	13
13011-3870A	P11C	32264	13
13011-3880A	J05C	32271	12
13011-3880A	J05C	32298	12
13011-3890B	J08C	32263	12
13011-3940A	J05C	32271	12
13011-3940A	J05C	32298	12
13011-3950A	W04D-J	32287	9
13011-40030A	1KR-FE	31056	6
13011-40050	1KR-FE	31056	6
13011-40051	1KR-FE	31056	6
13011-40052	1KR-FE	31056	6
13011-41015	M	35816	80
13011-41040	M	35816	80
13011-42010	7M	35893	83
13011-42020	7M	35893	83
13011-42030	7M	35893	83
13011-42040	7M	35893	83
13011-43010	5M	35859	83
13011-43030	5M	35859	83
13011-43050	5M-GEU	35860	83
13011-43080	5M-GEU	35860	83
13011-44011	5R	35810	88
13011-44011	5R	35905	88
13011-44032	5R	35810	88
13011-44032	5R	35905	88

Reference	Engine Model	TP No.	Page
13011-44040	5R	35810	88
13011-44040	5R	35905	88
13011-44042	5R	35810	88
13011-44042	5R	35905	88
13011-44043	5R	35810	88
13011-44043	5R	35905	88
13011-44060	5R	35810	88
13011-44060	5R	35905	88
13011-44061	5R	35810	88
13011-44061	5R	35905	88
13011-44062	5R	35810	88
13011-44062	5R	35905	88
13011-44063	5R	35810	88
13011-44063	5R	35905	88
13011-44073	5R	35810	88
13011-44073	5R	35905	88
13011-45021	4M	35832	82
13011-45040	4M	35832	82
13011-46021	J	35813	88
13011-46030	2JZ-GE	35946	86
13011-46040	2JZ-GE	35946	86
13011-46041	2JZ-GE	35946	86
13011-46050	2JZ-GE	35946	86
13011-46060	2JZ-D4	35964	86
13011-46061	2JZ-D4	35964	86
13011-46070	1JZ-FSE	36043	84
13011-47020	H	35827	88
13011-47021	H	35848	88
13011-47022	H(NEW)	35839	89
13011-47023	H(NEW)	35839	89
13011-48013	J	35837	88
13011-48021	J	35837	88
13011-48022	2J(NEW)	35838	88
13011-48023	2J(NEW)	35838	88
13011-48030	2J(NEW)	35838	88
13011-50040	1UZ-FE	35947	87
13011-50060	1UZ-FE-2	35948	87
13011-50110	1UZ	36027	87
13011-50141	2UZ-FE	36028	91
13011-51030	1VD-FTV	36034	87
13011-51031	1VD-FTV	36034	87
13011-51032	1VD-FTV	36034	87
13011-52010	4V	35842	84
13011-54010	L	35850	90

Reference	Engine Model	TP No.	Page
13011-54020	L	35850	90
13011-54021	L	35850	90
13011-54030	L(NEW)	35862	90
13011-54031	L(NEW)	35862	90
13011-54032	L(NEW)	35862	90
13011-54040	L(NEW)	35862	90
13011-54041	L(NEW)	35862	90
13011-54042	L(NEW)	35862	90
13011-54050	2L	35867	91
13011-54060	2L	35867	91
13011-54061	2L	35867	91
13011-54080	L(NEW)	35862	90
13011-54090	2L-T	35899	91
13011-54100	2L	35867	91
13011-54120	3L	35892	92
13011-54130	5L	35929	93
13011-55010	1N-T	35884	79
13011-55011	1N-T	35884	79
13011-56010	B(OLD)	35834	92
13011-56011	B	35847	92
13011-56012	B(NEW)	35840	92
13011-56013	B(NEW)	35840	92
13011-56021	B(NEW)	35840	92
13011-56022	B(NEW)	35840	92
13011-56030	11B	35889	92
13011-56040	11B,B	35901	92
13011-56050	11B-2	35971	92
13011-567-325/cyl	N360	32333	17
13011-57010	2B	35851	93
13011-58010	3B	35855	93
13011-58011	3BK	35909	93
13011-58030	13B	35890	94
13011-58040	13BT	35891	94
13011-58050	14B	35895	94
13011-58051	14B	35895	94
13011-58060	14B-T	35903	94
13011-58070	14B(NEW)	35916	94
13011-58072	14B(NEW)	35916	94
13011-58090	15B-F	35926	94
13011-58110	15B-FTE	35969	94
13011-60011	F	35806	89
13011-60040	F(NEW)	35835	89
13011-601-000/cyl	N360	32333	17
13011-61010	2F	35836	91

Reference	Engine Model	TP No.	Page
13011-61060	3F	35882	91
13011-61061	3F	35882	91
13011-61062	3F(NEW)	35914	91
13011-62040	3VZ-FE	36031	88
13011-62060	3VZ-FE	35934	87
13011-62080	3VZ-FE	36031	88
13011-62100	5VZ-FE	35959	91
13011-62110	5VZ-FE	35959	91
13011-62120	5VZ-FE	35959	91
13011-63010	1S-U	35861	82
13011-63011	1S-U	35861	82
13011-63020	1S-U	35861	82
13011-63030	1S-U	35861	82
13011-63031	1S-U	35861	82
13011-634-003/cyl	EB1	32345	17
13011-634-004/cyl	EB1	32345	17
13011-634-013/cyl	EB1	32345	17
13011-634-305/cyl	EB1	32345	17
13011-634-631/cyl	EB3	32363	17
13011-64010	1C	35865	84
13011-64020	1C	35865	84
13011-64040	1C	35865	84
13011-64060	2C-T	35877	86
13011-64070	1C-T	35923	84
13011-64070	1C	35865	84
13011-64080	1C	35865	84
13011-64130	1C-A	35900	84
13011-64150	2C-T	35877	86
13011-64170	2C-A	35911	86
13011-64190	2C-2	35924	86
13011-642-003/cyl	EB-5	32346	17
13011-642-004/cyl	EB-5	32346	17
13011-642-305/cyl	EB-5	32346	17
13011-64210	2C-T-2	35965	86
13011-64212	2.3C-T	35912	86
13011-64213	2.3C-T	35912	86
13011-64220	1C-A	35900	84
13011-64230	3C-T	35966	86
13011-65021	3VZ-FE	35934	87
13011-657-004/cyl	EC	32347	18
13011-657-315/cyl	EC	32347	18
13011-657-604/cyl	EC	32347	18
13011-657-670/cyl	ED	32351	18
13011-657-671/cyl	ED	32351	18

Reference	Engine Model	TP No.	Page
13011-657-673/cyl	ED	32351	18
13011-66020	1FZ-2	36015	93
13011-66021	1FZ	35941	93
13011-67030	1KZ	35937	93
13011-671-000/cyl	ED	32351	18
13011-671-004/cyl	ED	32351	18
13011-673-000/cyl	EJ	32355	17
13011-676-005/cyl	EK	32357	19
13011-676-601/cyl	EK	32357	19
13011-676-602/cyl	EK	32357	19
13011-676-604/cyl	EK	32357	19
13011-676-642/cyl	EK	32357	19
13011-679-014/cyl	EH	32358	17
13011-679-621/cyl	EH	32358	17
13011-68010	2H	35856	90
13011-68020	2H	35856	90
13011-68030	12H-T	35886	90
13011-689-013/cyl	EK	32357	19
13011-689-015/cyl	EK	32357	19
13011-69021	F	35806	89
13011-695-004/cyl	EJ	32355	17
13011-70010	1G	35858	80
13011-70030	1G-E	36003	80
13011-70051	1GX	35981	80
13011-70110	1G-FE	36035	80
13011-71010	1Y	35869	86
13011-71020	1Y	35869	86
13011-71030	1Y	35869	86
13011-71031	1Y	35869	86
13011-71033	1Y	35869	86
13011-71033	1Y(NEW)	35930	86
13011-71040	1Y	35869	86
13011-73020	4Y	35887	90
13011-73030	4Y	35887	90
13011-73031	4Y	35887	90
13011-73032	4Y	35887	90
13011-73032	4Y(NEW)	35932	90
13011-73040	4Y	35887	90
13011-73071	Y-P	36000	87
13011-74010	2S	35866	84
13011-74020	2S	35866	84
13011-74030	2S	35866	84
13011-74040	2S	35866	84
13011-74041	2S	35866	84

Reference	Engine Model	TP No.	Page
13011-74070	3S	35902	85
13011-74072	3S	35902	85
13011-74080	3SFE(C)	35885	85
13011-74081	3SFE(C)	35885	85
13011-74091	3S	35902	85
13011-74110	4S	35917	83
13011-74120	4S	35917	83
13011-74121	4S	35917	83
13011-74131	3S-F	35942	85
13011-74150	5S-FE	35988	87
13011-74260	5SFE2	35921	87
13011-74261	5SFE2	35921	87
13011-74280	3S	35902	85
13011-74290	5SFE2	35921	87
13011-74300	5SFE2-2	35943	87
13011-74320	3S-FE	35984	85
13011-74340	3S-FE	35984	85
13011-74361	3S-FE	35984	85
13011-74370	5SFE3	35944	87
13011-74380	5SFE3	35944	87
13011-74400	3S-FSE	35962	85
13011-74410	5SFE3	35944	87
13011-75010	1RZ	35904	85
13011-75020	1RZ	35904	85
13011-75030	2,3RZ	35952	92
13011-75040	3RZ-FE	36004	92
13011-75060	2,3RZ	35952	92
13011-75100	1TR	35960	85
13011-75110	2TR-FE	35961	92
13011-75120	1TR	35960	85
13011-75130	2TR-FE	35961	92
13011-76010	2TZ-FE	35956	92
13011-76050	2TZ-FE	35956	92
13011-77010	2D(OLD)	35808	94
13011-77020	2D(OLD)	35808	94
13011-77021	2D(OLD)	35808	94
13011-77022	2D(OLD)	35808	94
13011-77023	2D(OLD)	35808	94
13011-77040	2D(NEW)	35846	94
13011-77041	2D(NEW)	35846	94
13011-77050	2D(NEW)	35846	94
13011-78010	1W	36029	94
13011-78031	S05C	32259	12
13011-78060	N04,W04D	32258	9

Reference	Engine Model	TP No.	Page
13011-78200-71	1DZ	35925	86
13011-78201-71	2DZ	35940	86
13011-78202-71	1,2DZ	36009	85
13011-78220	N04C/W04D	32296	9
13011-78300-71	1Z	35915	93
13011-78300-71	1Z	36048	93
13011-78330-71	1Z	36048	93
13011-78700-71	2Z	35928	93
13011-78701-71	2Z-B	36010	93
13011-78701-71	2Z-B	36047	93
13011-78760-71	2Z-B	36047	93
13011-78761-71	2Z-B	36047	93
13011-87105	HC	31035	7
13011-87106	HD	31036	7
13011-87107	HD	31036	7
13011-87108	HC	31035	7
13011-87109	HD	31036	7
13011-87110	HD	31036	7
13011-87111	HD	31036	7
13011-87112	HD(NEW)	31045	7
13011-87204	L38	31016	6
13011-87205	L38	31016	6
13011-87206	EB	31033	6
13011-87208	ED	31040	6
13011-87218	EF	31041	6
13011-87222	EB	31033	6
13011-87231	JB-J	31057	6
13011-87232	ED	31040	6
13011-87305	DG(NEW)	31026	8
13011-87306	DG(NEW)	31026	8
13011-87307	DG(NEW)	31026	8
13011-87308	DG(NEW)	31026	8
13011-87310	DL	31030	8
13011-87311	DL	31030	8
13011-87312	DL	31030	8
13011-87313	DL	31030	8
13011-87314A	DL-T	31032	8
13011-87317	DL-T	31032	8
13011-87320	DL	31030	8
13011-87321	DL-2	31046	8
13011-87501	L38	31016	6
13011-87701	L40	31024	6
13011-87702	L40	31024	6
13011-87703	CB10	31028	7

Reference	Engine Model	TP No.	Page
13011-87704	CB10	31028	7
13011-87705	L40	31024	6
13011-87708	CB10	31028	7
13011-87709	L40	31024	6
13011-87710	L40	31024	6
13011-87712	CD	31027	6
13011-87714	L40	31024	6
13011-87717	CL	31031	7
13011-87718	CB20	31038	7
13011-87721	CL(NEW)	31043	8
13011-87723A	CL	31031	7
13011-87727	CB90	31037	7
13011-88363	3S-G	35995	85
13011-88380	3S-G	35995	85
13011-88601	2ZZ-FE	36040	83
13011-96601	2H	35856	90
13011-97201	EJ	31048	7
13011-97202	EJDE	31059	7
13011-97203	EF	31053	6
13011-97209	ED(NEW)	31050	6
13011-97210	EJ	31048	7
13011-97401	K3	31049	7
13011-97404	K3	31049	7
13011-B1020	3SZ-VE	31055	7
13011-B2020	KF-VE	31062	6
13011-BZ010-B	D02X	31051	6
13011-BZ010-B	D02X	31052	6
13011-BZ020-B	EJ-VE	31061	7
13011-BZ1040	3SZ-VE	31055	7
13011-BZ110	3SZ-VE	31055	7
13011-E0120	YL86	32284	12
13011-E190	J05D-TB	32272	11
13011-E190	J05D-TB	32297	11
13011-P04-G02	P04	32407	18
13011-P07-004/cyl	P08	32381	18
13011-P08-004/cyl	P08	32381	18
13011-P13-003/cyl	P13	32393	21
13011-P1R-003	P1R	32416	20
13011-P36-003	E07A	32405	17
13011-P3F-003/cyl	B20B	32387	20
13011-PA0-004/cyl	EJ	32355	17
13011-PA1-004/cyl	EJ	32355	17
13011-PA5-004/cyl	EJ	32355	17
13011-PA5-014/cyl	EJ-2	32359	17

Reference	Engine Model	TP No.	Page
13011-PA5-024/cyl	EJ-2	32359	17
13011-PA5-034/cyl	EJ-2	32359	17
13011-PA6-004/cyl	ED	32351	18
13011-PA6-014/cyl	EM-2	32364	18
13011-PAA-Y01/cyl	PAA	32384	20
13011-PB0-004/cyl	EB3	32363	17
13011-PB1-003/cyl	EK	32357	19
13011-PB2-005/cyl	EK	32357	19
13011-PC3-601/cyl	EK	32357	19
13011-PC3-603/cyl	EK	32357	19
13011-PC4-601/cyl	EK	32357	19
13011-PC6-004/cyl	ES	32360	19
13011-PC6-013/cyl	ES	32360	19
13011-PC7-023/cyl	ES	32360	19
13011-PCB-003/cyl	PCB	32394	20
13011-PD4-003/cyl	A18A	32367	19
13011-PD6-003/cyl	ES	32360	19
13011-PDF-004	E07Z	32401	17
13011-PE3-004/cyl	EW	32362	18
13011-PEA-003/cyl	PEA	32395	21
13011-PFB-003	PFB	32408	17
13011-PFB-J01	PFB	32408	17
13011-PH1-003/cyl	ES	32360	19
13011-PH2-003/cyl	ES	32360	19
13011-PH2-901/cyl	A18A	32367	19
13011-PH2-902/cyl	A18A	32367	19
13011-PH2-903/cyl	A18A	32367	19
13011-PH3-003/cyl	B20A	32368	19
13011-PH3-901/cyl	B20A	32368	19
13011-PH4-003/cyl	A20A	32370	20
13011-PH4-601/cyl	A20A	32370	20
13011-PH4-602/cyl	A20A	32370	20
13011-PH4-751	A20A-2	32388	20
13011-PH5-003/cyl	B20A	32368	19
13011-PH7-003/cyl	C25A-2	32372	20
13011-PHK-003/cyl	PHK	32396	20
13011-PJ5-601/cyl	B20A	32368	19
13011-PK1-003/cyl	B20A	32368	19
13011-PK1-751/cyl	B20A	32368	19
13011-PL2-003/cyl	C27A	32373	21
13011-PLM-A00	D17A1	32400	18
13011-PLR-A00	D17A1	32400	18
13011-PM0-B02/cyl	D16	32375	18
13011-PM0-B03/cyl	D16	32375	18

Reference	Engine Model	TP No.	Page
13011-PM5-G02/cyl	ZC	32376	18
13011-PM6-G02/cyl	ZC	32376	18
13011-PN8-P01	PAA	32384	20
13011-PNA-013	PNA	32410	21
13011-PNE-G02	PNE	32399	21
13011-POA-004/cyl	F22B	32383	20
13011-PPA-004	RAD	32406	21
13011-PR3-003/cyl	B16,B18	32391	19
13011-PR3-004/cyl	B16,B18	32391	19
13011-PR4-A01/cyl	B16,B18	32391	19
13011-PT0-B01/cyl	F20A	32374	20
13011-PT0-B02/cyl	F20A	32374	20
13011-PT0-B04/cyl	P1R	32386	20
13011-PT1-505	PT1CA	32380	20
13011-PT1-M02/cyl	PT1CA	32380	20
13011-PT2-003/cyl	F22B	32383	20
13011-PT2-004/cyl	F22B	32383	20
13011-PT4-X01/cyl	F22A	32378	20
13011-PT4-X02/cyl	F22A	32378	20
13011-PT4-X03/cyl	F22A	32378	20
13011-PT4-X04/cyl	F22A	32378	20
13011-PV0-003/cyl	PV0	32392	19
13011-PV0-004/cyl	PV0	32392	19
13011-PV0-013/cyl	PV0	32392	19
13011-PV0-014/cyl	PV0	32392	19
13011-PWA-G01	REA-2	32398	18
13011-PWC-J01	REA-2	32398	18
13011-PY3-003/cyl	C32A	32385	21
13011-PY3-003	PY3	32415	21
13011-PY3-004/cyl	C32A	32385	21
13011-PY3-Y01/cyl	C32A	32385	21
13011-PY3-Y02/cyl	C32A	32385	21
13011-PZ3-003	PZ3	32409	17
13011-R70-A01	R70	32413	21
13011-RAD-004	RAD	32406	21
13011-RAF-S01	K24A4	32404	21
13011-RB1-004	RB1	32414	17
13011-RCA-A01	J30A4	32403	21
13011-REA-F01/cyl	REA	32397	18
13011-REA-Z01	REA-2	32398	18
13011-RL0-G00	N22A1	32417	20
13011-RNA-A01	RNA	32402	19
13011-RNA-A02	RNA	32402	19
13011-RZP-003	RZP	32411	19

Reference	Engine Model	TP No.	Page
13011-RZP-004	RZP	32411	19
13012-RL0-G00	N22A1	32417	20
13013-B1010	K3	31049	7
13019-1510A	P11C	32264	13
13019-1580A	K13C	32251	15
13019-1700A	F17C	32248	16
13019-1700A	F17C	32279	16
1352-23-130	VA	33725	38
1363-23-206	HA	33735	40
1456-23-206	S2	33744	39
23040-02500	G4HA	42016	97
23040-02510	G4HA	42016	97
23040-02511	G4HA	42016	97
23040-02700	80HC	42002	97
23040-02820	SANTRO	42036	97
23040-02950	PICANTO 1.1L	43021	100
23040-02970	PICANTO 1.1L	43021	100
23040-21000	X11	42018	97
23040-21110	G4EK	42019	97
23040-22010	G4EK	42004	97
23040-22050	G4EK	42039	97
23040-22051	G4EK	42039	97
23040-22300	G4K	42003	97
23040-23000	BETA	42010	98
23040-23050	BETA	42010	98
23040-23100	J2	42006	98
23040-23150	G4GA	42008	98
23040-23200	BETA	42010	98
23040-23300	TUCSON	42033	98
23040-24010	X11	42018	97
23040-24200	G4EK	42019	97
23040-25000	G4KC	42040	98
23040-25050	G4KC LPG	42043	98
23040-25200	G4KC 2.4	42044	99
23040-26001	AVANTE 1.5	42025	97
23040-26002	G4EE	42032	97
23040-26101	G4ED	42030	97
23040-26160	ALPHA 1.6	42038	97
23040-27900	3A0	42034	98
23040-27920	D4EA	42049	98
23040-27950	D4EA	42049	98
23040-27960	D4EB	42048	99
23040-2A900	AVANTE XD	42047	97
23040-2B000	GAMMA	42045	98



Reference	Engine Model	TP No.	Page
23040-2Y050	CARENS-2	43022	100
23040-32800	Y2	42020	98
23040-33030	G4R	42005	98
23040-33430	G4DM	42046	98
23040-37300	G6BA	42021	98
23040-38100	EF2.0	42013	98
23040-3E001	G6BA-2	42050	99
23040-41000	D4AF	42017	99
23040-41060	D4AF	42017	99
23040-41200	D4AF	42012	99
23040-41400	D4AE	42007	99
23040-42000	H100	42000	99
23040-42200	D4BA	42001	99
23040-42202	D4BA	42001	99
23040-42210	D4BA	42001	99
23040-42510	D4BH	42041	99
23040-42521	D4BF	42015	99
23040-42850	D4BF	42015	99
23040-4A900	D4CB	42037	99
23040-4X920	TERRACAN	42042	99
23430-84000	D6CA	42028	99
23430-84410	D6CB	42029	99
23433-31500	G31	33883	43
2992540	DUCATO 88	50067	102
30017-11000	8DB	31605	53
30017-71002	6DB	31604	53
30017-71003	6DB	31604	53
30017-75002	6DB	31604	53
30017-75003	6DB	31604	53
30317-11011	4DR-10	31607	48
30615-51011	4DQ5	33865	47
30617-01014	4DQ11	33602	46
30617-5011	8DC11	33915	57
30617-5011	8DC11	33978	57
30617-51011	4DQ5	33865	47
30817-01006	6DS1	31603	51
30817-31000	6DS5	31606	52
30917-01012	6D20	33852	55
30917-01013	6D20	33852	55
30917-20010	6D22	33868	55
31217-02010	8DC-2	33827	56
31217-60012	8DC-6	33849	56
31617-02012	4DR-5	33836	50
31617-02013	4DR-5	33836	50

Reference	Engine Model	TP No.	Page
31617-05102	4DR-5	33836	50
31617-05103	4DR-5	33836	50
31717-12012	6DR-5	31609	50
31717-12013	6DR-5	31609	50
31A17-00010	3SL,4SL	33442	44
32A17-02010	S4S	33984	51
3311-1205-05	DK10,20	32208	13
3334-1205-09	EB300	32217	13
3352-120507	DM100	32211	9
3352-193901	DM100	32211	9
3391-1205-04	EF100	32219	14
3400-1205-09	ED100	32218	14
34417-11011	S4E-2	33455	51
34417-11011	S4E	33975	51
3763-23-130	VB,NA	33719	37
38003-0110	EA63	35509	75
38003-4300	EA71	35510	75
38003-4320	EA71	35510	75
3975-23-130	VC	33728	38
48003-5400	EK23	35514	75
48003-5600	E42	35520	75
48003-5610	E42	35520	75
48003-5700	EF10	35521	75
48003-7000	EA65	35516	75
48003-7100	EA81-2	35517	75
48003-7101	EA65-2	35522	75
5-12121-001-0/cyl	4BA-1	32529	27
5-12121-001-0/cyl	4BA-1	62529	27
5-12121-002/cyl	4/6BB1	32683	30
5-12121-002/cyl	6BB-1	32542	30
5-12121-004/cyl	4BC-1	32558	29
5-12121-004/cyl	4BC-1	62558	29
5-12121-004/cyl	4BC-1	62560	29
5-12121-005/cyl	4/6BB1	32683	29
5-12121-005/cyl	4BB-1	32545	29
5-12121-006/cyl	6BF-1	32559	30
5-12121-006/cyl	6BF-1	62559	30
5-12121-007-0/cyl	C240	32527	24
5-12121-007-0/cyl	C240	32600	24
5-12121-007-0/cyl	C240	62527	24
5-12121-008-0	C190G	32648	24
5-12121-011-0/cyl	3AE-1	32565	22
5-12121-012-0/cyl	3AF-1	32564	22
5-12121-013/cyl	C221	32521	23



Reference	Engine Model	TP No.	Page
5-12121-014/cyl	C221	32521	23
5-12121-017/cyl	C223	32557	25
5-12121-019/cyl	4BA-1	32529	27
5-12121-019/cyl	4BA-1	62529	27
5-12121-021-0/cyl	C190-2	32569	24
5-12121-022/cyl	4/6BB1	32683	30
5-12121-022/cyl	6BB-1	32542	30
5-12121-055/cyl	4/6BB1	32683	30
5-12121-055/cyl	6BB-1	32542	30
5-12181-003/cyl	4/6BB1	32683	29
5-12181-003/cyl	4BB-1	32545	29
5-12181-015/cyl	C221	32521	23
5-12181-020/cyl	D500	32524	28
5-12181-020/cyl	D500	62524	28
5-12181-023/cyl	4/6BB1	32683	30
5-12181-023/cyl	6BB-1	32542	30
5-12181-024/cyl	4/6BB1	32683	29
5-12181-024/cyl	4BB-1	32545	29
5-12181-025/cyl	4BA-1	32529	27
5-12181-025/cyl	4BA-1	62529	27
5-12181-027-0/cyl	C240	32527	24
5-12181-027-0/cyl	C240	62527	24
5-87310-519-0	4JK1	32647	26
5894842	MAREA 82 5CYL	50039	102
5894858	MAREA 83 5CYL	50040	102
65.02503-8058	DOOSAN 102	44007	106
65.02503-8146	1146	41003	95
65.02503-8236	2366	41006	95
65.02503-8251	2848 M	41004	95
65.02503-8252	2848 NEW	41005	96
65.02503-8255	2848	44009	106
71713060	MAREA 82 4CYL	50038	102
7701474857	RENAULT 79.5	50065	105
8-92062-027-0/cyl	X22SE	32678	25
8-92064-589-0/cyl	22LE	32661	25
8-92064-591-0/cyl	C22-NE	32635	24
8-92065-115-0/cyl	X22SE	32679	25
8-93359-241	D-MAX 2.4L	32657	25
8-94100-355/cyl	C223	32557	25
8-94104-949-0/cyl	C190-2	32569	24
8-94109-650-0/cyl	4XC1-H	32591	22
8-94119-545-0/cyl	4ZC-1	32573	26
8-94130-293-0/cyl	G161-2	32570	23
8-94130-295/cyl	G200ZN	32577	25

Reference	Engine Model	TP No.	Page
8-94136-778-0/cyl	4ZD-1	32579	26
8-94139-973/cyl	4FB-1	32556	24
8-94141-443-0/cyl	G180-2	32572	23
8-94141-947-0/cyl	4XC1	32590	22
8-94144-187-0/cyl	4EC1	32589	22
8-94153-966-0/cyl	4ZD-1	32579	26
8-94162-769-0/cyl	4XC1-H	32591	22
8-94169-748-0	4FE1	32659	22
8-94206-294/cyl	G161Z	32534	23
8-94208-205-0/cyl	G180Z	32536	23
8-94216-639/cyl	G161Z	32534	23
8-94216-640/cyl	G180Z	32536	23
8-94216-641/cyl	G200	32555	25
8-94224-221/cyl	4FB-1	32556	24
8-94231-817-0/cyl	G200ZN	32577	25
8-94235-877-0/cyl	G180-2	32572	23
8-94235-878-0/cyl	4ZC-1	32573	26
8-94244-403-0/cyl	G161-2	32570	23
8-94244-404-0/cyl	G180-2	32572	23
8-94247-867-0/cyl	4JA-1	32575	26
8-94247-867-0/cyl	4JA-1	62575	26
8-94247-867-0/cyl	4JB1	32612	26
8-94249-218-0/cyl	G180-2	32572	23
8-94250-730/cyl	4FD1	32650	26
8-94253-736-0/cyl	C223-2	32574	25
8-94332-767-1/cyl	4EC1	32589	22
8-94370449-0	4JG2-2	32691	27
8-94378-440-0/cyl	3KR1	32592	23
8-94379-486-0/cyl	4JG1	32636	27
8-94381-709-1/cyl	4EE1,4EE2	32613	22
8-94390-529-1/cyl	6HE1-TC	32638	31
8-94390-799-0/cyl	6HH1	32627	32
8-94390-799-0/cyl	6HH1	32646	32
8-94395-061-5/cyl	6HE1-TC	32638	31
8-94396-840-0/cyl	6HE1	32606	31
8-94405-614-2/cyl	4ZE1	32596	26
8-94409-555-0/cyl	4ZC-1	32573	26
8-94411-295-1/cyl	3KC1	32588	22
8-94411-305-0/cyl	3KB1	32586	22
8-94418-918-0/cyl	4BE-1	32602	30
8-94418-918-0/cyl	4BE-1	62602	30
8-94421-650-0/cyl	3KR1	32592	23
8-94446-957-1/cyl	4ZE1	32594	26
8-94447-415-0/cyl	G200ZN	32577	25

Reference	Engine Model	TP No.	Page
8-94452-743-0/cyl	4ZA1	32605	23
8-94469-634-0/cyl	4FG1	32598	26
8-97028-691-0/cyl	4HF1	32608	31
8-97034-609-0/cyl	4LB1	32630	22
8-97037-372-0/cyl	6VD1-EXP	32675	27
8-97048-921-0/cyl	3LA1	32620	22
8-97078-779-0/cyl	4HE1	32677	31
8-97080-215-0/cyl	4JG2	32607	27
8-97105-867-0/cyl	4HK1-TC	32631	31
8-97105-867-0/cyl	4HK1/6HK1	32682	31
8-97109-462-0/cyl	4HF1	32604	31
8-97113-503-0/cyl	3LD1	32622	23
8-97113-762-0/cyl	3LB1	32621	22
8-97117-686-0/cyl	4BD2	32639	29
8-97123-833-0/cyl	4BG1	32618	30
8-97127-562-0/cyl	6VD1	32614	26
8-97136-135-0/cyl	6VD1(98MY)	32674	27
8-97141-208-0/cyl	4LE1	32624	24
8-97162-198-0/cyl	6VD1	32614	26
8-97170-113-0/cyl	6VD1-2	32629	26
8-97184-533-0	4JX1	32680	27
8-97219-054-0/cyl	4HK1-TC	32631	31
8-97219-054-0/cyl	4HK1/6HK1	32682	31
8-97259-941-0	D-MAX 3.0	32644	25
8-97319-087-0	4JK1	32647	26
8-97331-641-0/cyl	4HL	32658	32
8-97371-553-0/cyl	6VE1	32628	26
8-97388-734-0/cyl	4JJ1	32634	27
8-97601-318-1	6HL1-TC	32696	32
8-97603-423-1/cyl	4HK1/6HK1	32682	31
8-97603-423-1/cyl	6HK1-TC	32632	31
8-97941-122-0/cyl	4JH1	32623	27
8-98017-166-0/cyl	4HK1-X	32663	31
8-98017-166-0/cyl	4HK1-X	32684	31
8-98017-166-0/cyl	4HK1X	32692	31
8-98040-125-0/cyl	4HK1/6HK1	32682	31
8-98040-125-0/cyl	6HK1-TC	32632	31
8-98053579-0	4JJ1-2	32652	27
8-98054-995-0	4HG1-T	32645	32
8-98054-995-0	4HG1-T	32685	32
8-98057-222-0	4JJ1TC	32664	27
8-98096-676-0/cyl	4JJ1	32634	27
8-98114-299-0/cyl	4LE1T/LE2X	32669	24
8034-23-130A	TC(NEW)	33739	36

Reference	Engine Model	TP No.	Page
8034-23-130	TC(NEW)	33739	36
80 00372 1 0 000	SMART	50037	103
8170-23-130A	NA(NEW)	33742	37
8170-23-130	NA(NEW)	33742	37
8569-23-130A	UC	33741	37
8569-23-130	UC	33741	37
8658-23-130	NA(NEW)	33742	37
8682-23-130A	VC(NEW)	33737	38
8682-23-130	VC(NEW)	33737	38
9-12181-028/cyl	DA640	32507	29
9-12181-048/cyl	DA640	32507	29
9-12181-055/cyl	G150	32513	22
9-12181-057/cyl	C220	32502	23
9-12181-062/cyl	C220	32502	23
9-12181-063/cyl	DA120	32506	28
9-12181-064/cyl	DA640	32507	29
9-12181-071/cyl	G150	32513	22
9-12181-083/cyl	DH100A	32519	33
9-12181-086/cyl	DH100A	32519	33
9-12181-091/cyl	DA120	32506	28
9-12181-092/cyl	DA640	32507	29
9-12181-093/cyl	DA220	32505	28
9-12181-099/cyl	D370	32516	26
9-12181-100/cyl	C220	32502	23
9-12181-113/cyl	G161Z	32534	23
9-12181-114/cyl	DH100A	32519	33
9-12181-115/cyl	D920	32522	33
9-12181-122/cyl	C221	32521	23
9-12181-137/cyl	D920	32541	33
9-12181-138-0/cyl	C240	32601	25
9-12181-138/cyl	C240	32528	24
9-12181-138/cyl	C240	62528	24
9-12181-141/cyl	G161Z	32534	23
9-12181-149/cyl	E120	32525	34
9-12181-153/cyl	D920	32522	33
9-12181-602/cyl	G201	32538	25
9-12181-603/cyl	C240	32527	24
9-12181-603/cyl	C240	32600	24
9-12181-603/cyl	C240	62527	24
9-12181-605/cyl	G180Z	32536	23
9-12181-608/cyl	D500	32524	28
9-12181-608/cyl	D500	62524	28
9-12181-615/cyl	G180Z	32536	23
9-12181-616/cyl	G161Z	32534	23

Reference	Engine Model	TP No.	Page
9-12181-801/cyl	4BA-1	32529	27
9-12181-801/cyl	4BA-1	62529	27
92062817	E-TEC	41015	95
92067238	OPTRA	41009	95
93235611	CORSA 1.6L	50032	102
93736247	SAIL	50059	102
93740225	AVEO 1.6	41011	95
93740229	AVEO-2	41013	95
93742961	T200	41010	95
96325192	4EA	41008	95
96325192	F8CV	41012	95
97011-02139	ED30	34609	69
AA100-11-120	TOWNER JADE	44001	102
AA92A-11120	F17-2	32274	16
B1Y1-11-SCOA	B1	33756	36
B1YO-11-SCO	B1	33756	36
B3Y1-11-SCOA	B3	33757	36
B3YO-11-SCO	B3	33757	36
B6Y3-11-SCOA	B6	33759	37
B6Y6-11-SCOA	B6	33759	37
B6YO-11-SCOA	B6-2	33793	37
BPY1-11-SCO	BP	33769	38
D27Z6149	VB,NA	33719	37
D77Z6108	VB,NA	33719	37
D97Z-6149	VC(NEW)	33737	38
E101-23-130	E1	33752	36
E301-23-130A	E3	33743	37
E301-23-130	E3	33743	37
E302-23-130A	E5-2	33750	37
F2Y1-11-SCO	FE	33800	39
F2Y2-11-SCO	FE	33800	39
F601-23-130	F6	33748	38
F801-23-130A	F8	33747	39
F801-23-130	F8	33747	39
FORD:AS7J6148BA	LF-DE	33790	39
FSY2-11-SCOA	FPD, FSD	33791	38
FSY2-11-SCOA	FS	33762	38
FSY2-11-SCO	FS	33761	38
G601-11-SCOA	G6	33784	39
H604-23-130	NA(NEW)	33742	37
H617-23-130	NA-2	33746	37
HE05-23-130	MA-2	33745	38
HE18-23-130	VC(NEW)	33737	38
K1YH-11-SCO	PRIDE1.3	43008	100

Reference	Engine Model	TP No.	Page
K2Y2-11-SCO	AVELLA	43023	100
K2YA-11-SCO	AVELLA	43023	100
K480-23-206	SS	43003	101
K4Y0-11-SCO	SL	33801	40
K4Y1-11-SCO	K3600	43011	101
K4Z0-11-SCO	SS	43003	101
K5Z1-11-SCO	J3	43014	101
K6Z1-11-SCO	JS	43009	101
K7Y0-11-SCO	NB1(NEW)	43024	100
K7Y1-11-SCO	R2	43013	100
K7Z0-11-SCO	SF	43001	100
K7Z1-11-SCO	JT	43010	101
K8Y2-11-SCO	K8-DE	33803	36
K9Y1-11-SCO	KV20	43015	100
KK1Y8-11-SCO	B1	43002	100
KLY2-11-SCOA	KL	33768	38
KOYO-11-SCO	HA1	43004	101
L3Y1-11-SCOA	LF-DE	33790	39
L3Y3-11-SCO	LF-DE	33790	39
L3Y6-11-SCO	LF-DE	33790	39
LFY1-11-SCOA	LF-DE	33790	39
MD000725	4G32	33832	44
MD000770	4G30	33830	42
MD003184	4G35	33840	45
MD004709	4G32	33832	44
MD004739	4G32	33832	44
MD004770	4G32	33832	44
MD004835	4G35	33840	45
MD005885	4G32	33832	44
MD007251	4G32	33832	44
MD008105	4G32	33832	44
MD009539	4G36-EC	33880	42
MD009625	4G33	33856	42
MD010710	4G41	33839	44
MD010715	4G41	33839	44
MD010755	4G42	33841	42
MD010850	4G42	33841	42
MD011810	2G25	33891	44
MD011893	4G41	33839	44
MD011965	2G23	33894	42
MD012025	G12	33859	43
MD012035	G12	33859	43
MD012765	G32-T	33870	44
MD016760	2G21	33844	41

Reference	Engine Model	TP No.	Page
MD016765	2G21	33844	41
MD018280	2G24	33882	43
MD019470	2G22	33847	41
MD019610	2G23	33855	41
MD021010	4G52	33845	47
MD021035	4G52	33845	47
MD021070	4G52	33845	47
MD023060	4G51	33842	46
MD025000	4G53	33846	48
MD025089	G54	33860	49
MD026835	G54	33860	49
MD026960	G54	33860	49
MD026985	4G53	33846	48
MD027010	4G52	33845	47
MD027140	G54	33860	49
MD030350	4G11	33858	41
MD030355	G12	33859	43
MD030360	4G11-G	33857	41
MD031670	4G11	33858	41
MD031700	G12	33859	43
MD031730	4G11-G	33857	41
MD034010	4G33-H	33907	43
MD040465	G62-T	33871	45
MD040610	G62B	33863	45
MD040640	4G63	33866	47
MD040840	4G63	33866	47
MD041580	4G63	33866	47
MD050390	4D56-TC	33862	49
MD050395	4D55-NA	33861	48
MD061258	G54-T	33872	50
MD062387	G32-T	33870	44
MD071206	4D65	33904	45
MD071206	4D6	33878	45
MD074687	G13-B	33875	42
MD074725	G15-B	33876	43
MD076170	G54-U	33931	50
MD077113	G62-T	33871	45
MD078209	4D6	33879	45
MD078309	4D6	33879	45
MD078543	G13-B	33875	42
MD078548	G15-B	33876	43
MD080598	G54-T	33872	50
MD083152	2G25	33891	44
MD085346	4G64B	33935	48

Reference	Engine Model	TP No.	Page
MD093337	G32-T	33870	44
MD099430	G32-T	33870	44
MD100467	4G63	33892	47
MD101895	G54-C	33929	50
MD103391	4D56-TC	33862	49
MD104656	G15-B	33876	43
MD104889	6G71	33400	43
MD104922	6G72-C	33890	49
MD104923	6G72-C	33890	49
MD104939	6G72-C	33890	49
MD104940	6G72-C	33890	49
MD105516	4G63	33892	47
MD106028	4G37	33885	45
MD106736	G62B	33863	45
MD106741	4G32	33832	44
MD106752	G54-T	33872	50
MD107368	G31	33883	43
MD107813	G54	33860	49
MD107818	G54	33860	49
MD110632	4G32-2	33884	44
MD115490	G13-B	33875	42
MD115495	4G11-G	33857	41
MD115500	4G33-C	33895	42
MD116000	4D65	33889	45
MD120081	3G82	33896	41
MD127017	4D65	33904	45
MD127022	4D65	33904	45
MD127022	4D6	33878	45
MD129548	6G72-C	33890	49
MD133485	4G63EX	33414	47
MD133495	4G61	33932	46
MD136692	4D6	33879	45
MD140923	4G63K	33924	47
MD154012	4G37-EC	33954	45
MD156165	G15-C	33432	43
MD156170	4G13-C	33401	42
MD158334	6G72	33920	49
MD158549	4G15(NEW)	33898	43
MD158908	4G13(NEW)	33897	42
MD159836	6G73	33433	47
MD160195	3G83-N	33974	41
MD165325	4G17	33900	42
MD165949	6G72-2	33965	49
MD168293	4D56-IC/TC	33921	48

Reference	Engine Model	TP No.	Page
MD173206	4G92	33902	46
MD173211	4G92	33902	46
MD177113	4G91	33945	45
MD180348	4G93-GDI	33955	46
MD180804	4G15(NEW)	33898	43
MD187168	4G15L	33403	43
MD189104	6A12-NA	33940	45
MD189109	6A11-S4	33998	43
MD189119	6A12 T/C	33424	45
MD192815	4G64	33936	48
MD194597	4G64	33936	48
MD195810	4G63(NEW)	33919	47
MD195828	4G64-S	33957	48
MD195850	4G63K	33924	47
MD195872	4G64	33925	48
MD197162	4D68-NA	33905	46
MD197187	4D68T	33963	46
MD300569	6G74	33933	50
MD301803	6G72	33920	49
MD301853	4A30	33973	41
MD301870	4A30T	33971	41
MD302644	6A12	33941	45
MD310257	6G73	33951	46
MD313405	4G63(NEW)	33919	47
MD322783	6G74-S4	33981	51
MD323843	6G72-MIVEC	33429	49
MD329755	6G72,S2,S4	33428	49
MD331313	4G15-S3	33946	43
MD335422	4G13-N	33944	42
MD336735	6A13-S4	33967	46
MD336736	6A13-D4,T/C	33425	46
MD339229	6A13-D4,T/C	33425	46
MD344094	6A13-S4	33967	46
MD344095	6A13-S4	33967	46
MD349422	4G18	33934	44
MD351097	6G73	33951	46
MD354879	6G72	33920	49
MD355642	6G74-MIVEC	33415	50
MD357240	4G93-GDI	33955	46
MD361982	4G18-2	33937	44
MD361983	4G18-3	33938	44
MD362974	3G83-N	33972	41
MD366688	6G74-GDI 93	33416	50
MD369253	6G74-MIVEC	33415	50

Reference	Engine Model	TP No.	Page
MD369575	6G74	33933	50
MD370494	6G73-GDI	33434	47
MD371157	4G94-S4	33966	46
MD371189	4G94-S4	33966	46
MD374009	6G72-S4	33408	49
MD377324	4G69	33983	48
ME012010	4D30	33943	52
ME012070	4D30	33943	52
ME012848	4D31T	33912	52
ME020382	6DS1	31603	51
ME020427	6DS5	31606	52
ME021376	6DS1	31603	51
ME021382	6DS5	31606	52
ME021855	6DS3	31610	51
ME021856	6DS5	31606	52
ME021861	6DS7	31611	52
ME023327-2	6DS3	31610	51
ME023327	6DS3	31610	51
ME023333-2	6DS7	31612	52
ME023333	6DS7	31612	52
ME024409	6DS7	31611	52
ME032071	6D14	33851	53
ME032190-01	6D10	33850	53
ME032190	6D10	33850	53
ME032260	6D14	33851	53
ME032326	6D10	33850	53
ME032403	6D15	33867	54
ME032404	6D10	33850	53
ME032404	6D14	33851	53
ME032458	6D14	33851	53
ME052124	6D22	33868	55
ME052145	6D20B	33881	55
ME052758	6D22-C	33958	55
ME052787	6D22T	33927	55
ME052889	6D22-T	33916	55
ME062018	8DC-9	33869	57
ME062022	8DC-81	33874	57
ME062086	8DC-6	33849	56
ME062090	8DC-9	33888	57
ME062109	8DC-2	33827	56
ME062230	8DC-9	33869	57
ME062246	8DC-81	33874	57
ME062298	8DC-4	33873	56
ME065684	8DC-81	33874	57

Reference	Engine Model	TP No.	Page
ME072306	6D15	33867	54
ME090578	8DC91T	33913	57
ME090586	8DC11	33915	57
ME090586	8DC11	33978	57
ME120536	6D40-T	33439	56
ME190317	4M42	33968	51
ME201522	4M40	33982	51
ME202148	4M40-TC	33952	51
ME202342	4M40-NA	33922	51
ME202940	4M40-T	33447	51
ME202950	4M40-NA	33922	51
ME203533	4M41-TI	33956	52
ME990062	N6M60T	33437	54
ME990063	N6M60T	33438	54
ME993211	4M42	33968	51
ME993212	4M42	33968	51
ME993913	4M50	33443	54
ME993947	6M60T	33953	54
ME993948	6M60T	33953	54
ME993950	6M60T	33436	54
ME995113	4M51-2	33970	54
ME995114	4M51-2	33970	54
ME995115	4M51-2	33970	54
ME995214	4D35-2	33456	53
ME995237	4D35	33959	53
ME995467	6D22-T	33916	55
ME995535	6D16TL	33413	54
ME995536/cyl	6D16TL	33413	54
ME9955608/cyl	6M61	33451	55
ME995562	6M61	33451	55
ME995590	4M50	33443	54
ME995591	4M51	33969	54
ME995592	4M51	33969	54
ME995593	4M51	33969	54
ME995636	6D24T	33960	55
ME995855/cyl	6M70	33457	56
ME995857	6M70	33457	56
ME996163	8M20	33452	57
ME996167	8M21	33453	57
ME996378	4D33A	33923	53
ME996442	6D34T	33441	53
ME996591	6D16T	33942	54
ME996593	6D17	33976	54
ME996628	4D35	33959	53

Reference	Engine Model	TP No.	Page
ME997240	4D34	33950	52
ME997256	4DR7	33909	51
ME997318	4D32	33939	52
ME997396	4D31T	33912	52
ME997398	4D31T	33912	52
ME997456	6D15T	33961	54
ME997465	6D14T	33928	53
ME997466	6D15T	33961	54
ME999540	6D16	33893	54
ME999641	4D32	33939	52
ME999717	6D31	33947	52
ME999783	6D31T	33948	52
ME999836	6D31T	33948	52
ME999929	6D15T	33961	54
ME999952	6D14-2	33448	53
ME999954	6D15T	33961	54
ME999955	6D16	33893	54
ME999955	6D16	33910	54
ME999990	8DC11	33915	57
ME999990	8DC11	33978	57
MM431579	K3,4E	33445	44
MM433152	L2E,L3E	33987	44
MM437295	K4F-DT	33985	45
MM438689	K4N	33986	48
MN119569	4G19 75.5	33405	43
MN119685	6G74-GDI-1 93	33410	50
MN149594	4G63S	33980	47
MN183585	4G94-S4	33966	46
MN183867	6G75	33993	51
MN187178	4G94-S4	33966	46
MN187179	4G94-S4	33966	46
MN187664	6G72-GDI-3	33407	49
MN187669	6G73-GDI-3	33406	47
MN187677	6G74-GDI-2 93	33411	50
MN187678	6G74-GDI-2 93	33411	50
MN187679	6G74-GDI-2 93	33411	50
MN195612	4A91	33450	43
MN433712	L2C,L3C	33446	42
MN433713	L2E	33444	44
NP1015	1.5L	41001	95
NP1016	1.5L	41001	95
NP960	1.5L	41001	95
PN11-11-SCO	PN	33755	37
R201-23-130A	R2	33751	39







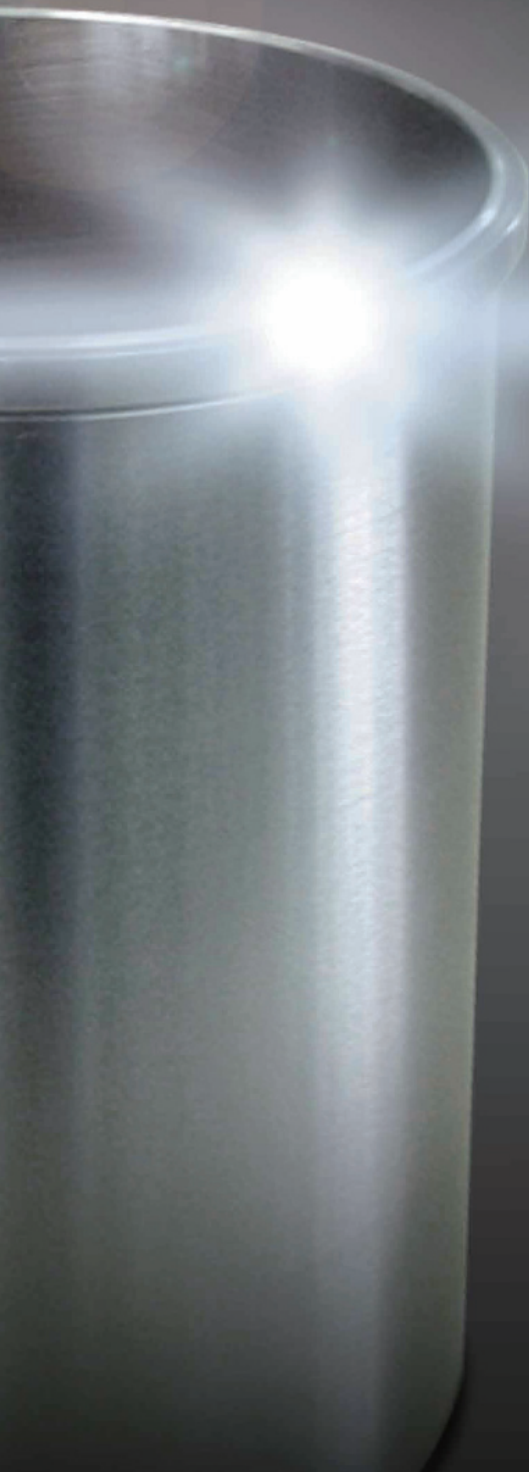




# THE BEST FOR ENGINES!

## Powertrains Drive the World.

# TP



# MADE IN JAPAN

**TPR CO.,LTD.** URL : <http://www.tpr.co.jp>



## TPR CO.,LTD.

**Head Office** : 1-6-2, MARUNOUCHI, CHIYODA-KU, TOKYO  
100-0005, JAPAN  
Phone:+81-3-5293-2817 FAX: +81-3-5293-2826  
<Overseas Sales Dept.>  
**U R L** :<http://www.tpr.co.jp/>